

WS-W11716

Project:

Location:

Fixture Type:

Catalog Number:

**AVAILABLE FINISHES:**



## Blade

WS-W11716

**PRODUCT DESCRIPTION**

A new slant on modern lighting. This low profile angular sconce deploys robust indirect illumination on walls and surfaces in two sizes for various exterior and interior applications. The subtle graduated design offers a unique look and high style appeal.

**FEATURES**

- 277V option available for special order.
- ACLED driverless technology
- Back-lit illumination

**SPECIFICATIONS**

|              |  |
|--------------|--|
| Rated Life   | 50000 Hours                                      |
| Standards    | ETL, cETL, Wet Location Listed                   |
| Input        | 120 VAC, 50/60Hz                                 |
| Dimming      | ELV  |
| Mounting     | Can be mounted on wall vertically or upside down |
| Color Temp   | 3000K  |
| CRI          | 90   |
| Construction | Aluminum hardware                                |

**REPLACEMENT PARTS**

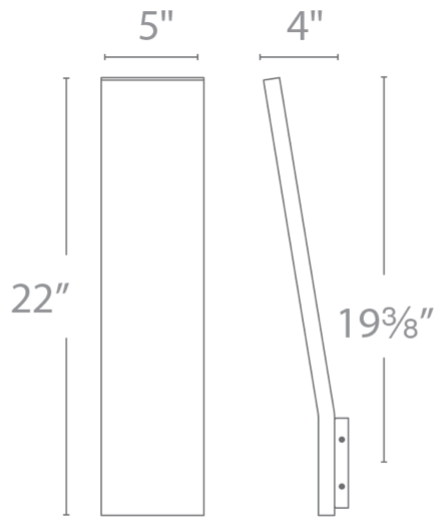
RPL-GLA-11716 - Glass

| Model & Size  | Color Temp | Finish              | LED Watts | LED Lumens | Delivered Lumens |
|---------------|------------|---------------------|-----------|------------|------------------|
| WS-W11716 16" | 3000K      | AL Brushed Aluminum | 15.2W     | 1112       | 893              |
|               | 3000K      | BK Black            | 15.2W     | 1112       | 893              |

Example: **WS-W11716-BK**

•For 277V special order, add an "F" before the finish: WS-W11716F-BK

For custom requests please contact [customs@modernforms.com](mailto:customs@modernforms.com)



WS-W11722

Project:

Location:

Fixture Type:

Catalog Number:

**AVAILABLE FINISHES:**



## Blade

WS-W11722

**PRODUCT DESCRIPTION**

A new slant on modern lighting. This low profile angular sconce deploys robust indirect illumination on walls and surfaces in two sizes for various exterior and interior applications. The subtle graduated design offers a unique look and high style appeal.

**FEATURES**

- 277V option available for special order.
- ACLED driverless technology
- Back-lit illumination

**SPECIFICATIONS**

|              |  |
|--------------|--|
| Rated Life   | 50000 Hours                                      |
| Standards    | ETL, cETL, Wet Location Listed                   |
| Input        | 120 VAC, 50/60Hz                                 |
| Dimming      | ELV  |
| Mounting     | Can be mounted on wall vertically or upside down |
| Color Temp   | 3000K  |
| CRI          | 90   |
| Construction | Aluminum hardware                                |

**REPLACEMENT PARTS**

RPL-GLA-11722 - Glass

| Model & Size  | Color Temp     | Finish                          | LED Watts      | LED Lumens   | Delivered Lumens |
|---------------|----------------|---------------------------------|----------------|--------------|------------------|
| WS-W11722 22" | 3000K<br>3000K | AL Brushed Aluminum<br>BK Black | 21.1W<br>21.1W | 1863<br>1863 | 1610<br>1610     |

Example: **WS-W11722-BK**

•For 277V special order, add an "F" before the finish: WS-W11722F-BK

For custom requests please contact [customs@modernforms.com](mailto:customs@modernforms.com)