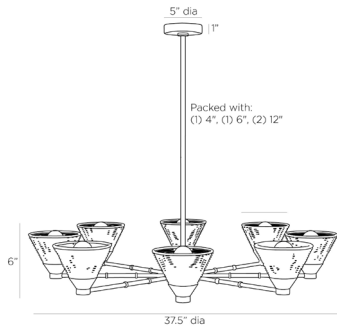


# ARTERIOS

## VENTURA CHANDELIER



DMC09  
H: 7 IN, Dia: 37.50 IN  
Natural Rattan  
Contract Suitable As Is

Natural materials and sleek, midcentury styling unite in the Ventura chandelier. Conical basket-woven shades encircle an eight-arm, pipe framework in an antique brass iron finish. Natural rattan appears again as a textural accent, tightly wrapping each arm. Finish will vary. Damp-rated, although limited covered outdoor conditions may affect finish.

### APPEARANCE

Material	Iron, Rattan
Finish	Antique Brass
Finish Will Vary	true
Top Coat/Sealant	false

### DIMENSIONS

Shade	Top: 6.50 IN
Chandelier	H: 6 IN, Dia: 37.50 IN
Minimum Hanging Height	7 IN
Maximum Hanging Height	35 IN
Canopy	H: 1 IN, Dia: 5.00 IN

### WIRING

Rating	Damp
Cord	7 FT, Clear/Silver, SVT
Socket	8, Type B - E12
Photographed Bulb	2" Frosted Globe Bulb
Maximum Watt	60
Voltage	110-120 V

### CERTIFICATIONS

Certifications	Mexico Australia, European Union, United Arab Emirates, United States, Canada
----------------	--

### COMPLIANCY

UL/ETL	Yes
CB	Yes
RoHS	true

### SHIPPING

Product Weight	13 LBS
Gross Weight 1	13 LBS
Shipping Box 1	H: 33.85 IN, L: 33.85 IN, W: 6.4 IN

### ADDITIONAL INFO

Features	Sustainable
----------	-------------

### REPLACEMENT PARTS

Replacement Part 1	PIPE-180
Replacement Part 1 Dim	(1) 4", (1) 6", and (1) 12"
Replacement Part 2	CANOPY-652
Replacement Part 2 Dim	1" x 5"

### CONTRACT

Contract Suitable	true
-------------------	------