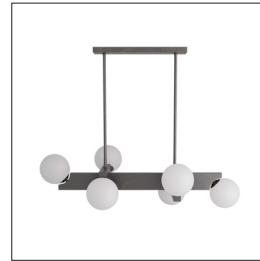
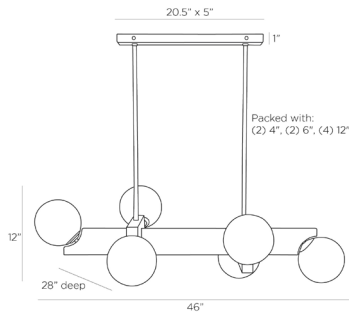


# ARTERIOS

## TALLOW CHANDELIER



DRC02  
 H: 17 IN, W: 46 IN, D: 28 IN  
 English Bronze  
 Contract Suitable As Is

The graphic Tallow chandelier is an attention-getter, forged in an English bronze industrial-style steel beam, with offset frosted glass globes that float around the linear center. The bold chandelier, in English bronze finished steel, features a dual pipe suspension and a linear canopy. Damp-rated, although limited covered outdoor conditions may affect finish.

### APPEARANCE

Material Glass, Steel  
 Finish Frosted  
 Top Coat/Sealant true

### DIMENSIONS

Chandelier H: 12 IN, W: 46 IN, D: 28 IN  
 Minimum Hanging Height 17 IN  
 Maximum Hanging Height 47 IN  
 Canopy H: 1 IN, W: 20.5 IN, D: 5 IN

### WIRING

Rating Damp  
 Cord 10 FT, Black/White, SVT  
 Socket 6, Type A - E26  
 Photographed Bulb Medium Clear Tubular Bulb  
 Maximum Watt 60  
 Voltage 110-120 V

### CERTIFICATIONS

Certifications Mexico  
 Australia, European Union, United Arab Emirates, United States, Canada

### COMPLIANCY

UL/ETL Yes  
 CB Yes  
 RoHS true

### SHIPPING

Shipping Requirements TruckShip  
 Product Weight 30 LBS  
 Gross Weight 1 40.9 LBS  
 Shipping Box 1 H: 41.75 IN, L: 28 IN, W: 12.6 IN

### REPLACEMENT PARTS

Replacement Part 1 PIPE-487  
 Replacement Part 1 Dim (1) 4", (1) 6", (1) 12"  
 Replacement Part 2 CANOPY-633  
 Replacement Part 2 Dim 1" x 20" x 4"

### CONTRACT

Contract Suitable true