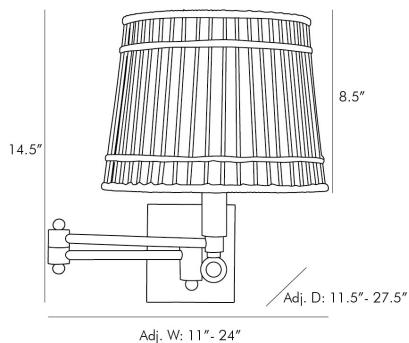


ARTERIOS

SEA ISLAND SCONCE

BETH WEBB



DW49003

Natural Rattan, Polished Nickel
Contract Suitable As Is

Recalling the humble yet complex architecture of a wicker basket the Sea Island Sconce has a rattan structure and an ivory linen-wrapped interior. The nimble charming and always practical swing arm sconce has a diffuser for flexible needs. The birdcage like structure offers warm layered light and the horizontal and vertical lines create subtle pattern play.

APPEARANCE

Material	Iron, Linen, Rattan
Finish	Ivory, Natural, Polished Nickel
Finish Will Vary	true
Top Coat/Sealant	false

DIMENSIONS

Center Of Mount From Btm	2.5 IN
Backplate	H: 5 IN, W: 4.5 IN, D: 1 IN
Mount	H: 4.5 IN, W: 4 IN

WIRING

Cord	8 FT, Clear/Silver, SVT
Socket	1, Type A - E26
Maximum Watt	60
Voltage	110-120 V

CERTIFICATIONS

Certifications	Mexico United States, Canada
----------------	---------------------------------

COMPLIANCY

UL/ETL	Yes
RoHS	true

SHIPPING

Product Weight	4.5 LBS
Gross Weight 1	6.12 LBS
Shipping Box 1	H: 12.9 IN, L: 12.9 IN, W: 14.7 IN

CONTRACT

Contract Suitable	true
-------------------	------