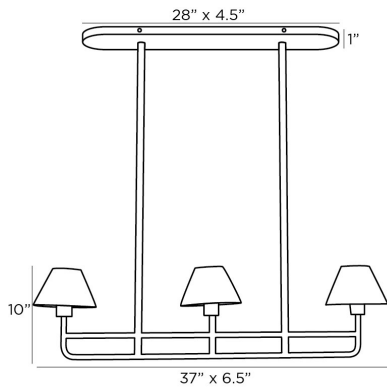


# ARTERIOS

## REMY CHANDELIER



84074

H: 11 IN, W: 37 IN, D: 6.5 IN

White Gesso

Contract Suitable As Is

The sculptural Remy chandelier features a trio of shaded lights perched atop a horizontal arm like birds on a wire. The linear fixture is constructed entirely of hand-applied gesso over iron and imparts effortless style anywhere it hangs. Finish will vary.

### APPEARANCE

|                  |             |
|------------------|-------------|
| Material         | Iron        |
| Finish           | White Gesso |
| Finish Will Vary | true        |
| Top Coat/Sealant | false       |

### DIMENSIONS

|                        |                               |
|------------------------|-------------------------------|
| Chandelier             | H: 10 IN, W: 37 IN, D: 6.5 IN |
| Minimum Hanging Height | 11 IN                         |
| Maximum Hanging Height | 44 IN                         |
| Canopy                 | H: 1 IN, W: 28 IN, D: 4.5 IN  |

### WIRING

|              |                   |
|--------------|-------------------|
| Rating       | Damp              |
| Cord         | 10 FT, Black, SVT |
| Socket       | 3, Type A - E26   |
| Maximum Watt | 40                |
| Voltage      | 110-120 V         |

### COMPLIANCY

|      |      |
|------|------|
| RoHS | true |
|------|------|

### SHIPPING

|                |                                     |
|----------------|-------------------------------------|
| Product Weight | 24.8 LBS                            |
| Gross Weight 1 | 32.8 LBS                            |
| Shipping Box 1 | H: 34.65 IN, L: 9.84 IN, W: 9.84 IN |

### REPLACEMENT PARTS

|                        |                         |
|------------------------|-------------------------|
| Replacement Part 1     | PIPE-518                |
| Replacement Part 1 Dim | (2) 3", (2) 6", (2) 12" |
| Replacement Part 2     | CANOPY-606              |
| Replacement Part 2 Dim | 1" x 4.5" x 28"         |

### CONTRACT

|                   |      |
|-------------------|------|
| Contract Suitable | true |
|-------------------|------|