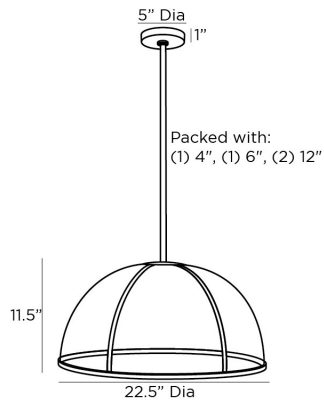


ARTERIOS

PALMA PENDANT



49519
H: 16.5 IN, Dia: 22.50 IN
Natural Rattan
Contract Suitable As Is

Drawing from interior design of the 1970s, the Palma pendant is constructed in a classic domed pendant shape of natural woven natural rattan. The piece is made modern with an antique brass iron frame, pipe and canopy. Finish will vary.

APPEARANCE

Material	Iron, Rattan
Finish	Antique Brass, Natural
Finish Will Vary	true
Top Coat/Sealant	false

DIMENSIONS

	46.5 IN
Pendant	H: 11.5 IN, Dia: 22.50 IN
Minimum Hanging Height	16.5 IN
Canopy	H: 1 IN, Dia: 5.00 IN

WIRING

Rating	Damp
Cord	7 FT, Clear/Silver, SVT
Socket	1, Type A - E26
Photographed Bulb	5" Frosted Globe Bulb
Maximum Watt	100
Voltage	110-120 V

COMPLIANCY

RoHS	true
------	------

SHIPPING

Product Weight	8.2 LBS
Gross Weight 1	13.2 LBS
Shipping Box 1	H: 26 IN, L: 26 IN, W: 16 IN

ADDITIONAL INFO

Features	Sustainable
----------	-------------

REPLACEMENT PARTS

Replacement Part 1	PIPE-180
Replacement Part 1 Dim	(1) 4", (1) 6", and (1) 12"
Replacement Part 2	CANOPY-248
Replacement Part 2 Dim	1" x 6"

CONTRACT

Contract Suitable	true
-------------------	------