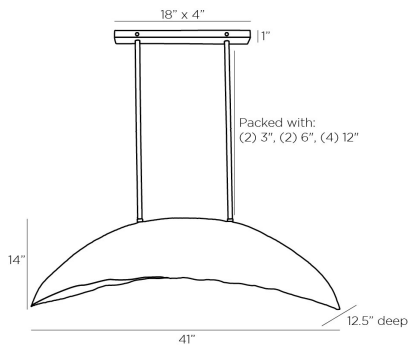


ARTERIOS

OZARK PENDANT



44789

H: 16 IN, W: 41 IN, D: 12.5 IN

Vintage Brass

Contract Suitable As Is

This brass pendant speaks to traditionalist-maximalist design with inspiration taken from giant banana leaves native to Southeast Asia. Etched lines are carved on the exterior of the shade to mimic the veins of a leaf, adding texture and intrigue. A vintage brass finish has been applied to the exterior, while the interior features a polished brass finish for a look that completes its classic vintage appeal. Finish will vary. Additional pipe

APPEARANCE

Material	Brass
Finish	Polished Brass, Vintage Brass
Finish Will Vary	true
Top Coat/Sealant	true

DIMENSIONS

Pendant	H: 14 IN, W: 41 IN, D: 12.5 IN
Minimum Hanging Height	16 IN
Maximum Hanging Height	46 IN
Canopy	H: 1 IN, W: 18 IN, D: 4 IN

WIRING

Rating	Damp
Cord	10 FT, Clear/Silver, SVT
Socket	4, Type A - E26
Photographed Bulb	2" Frosted Globe Bulb
Maximum Watt	40
Voltage	110-120 V

COMPLIANCY

RoHS	true
------	------

SHIPPING

Product Weight	20 LBS
Gross Weight 1	22.55 LBS
Shipping Box 1	H: 17 IN, L: 16 IN, W: 16 IN

REPLACEMENT PARTS

Replacement Part 1	PIPE-429
Replacement Part 1 Dim	(1) 3", (1) 6", (1) 12"
Replacement Part 2	CANOPY-476
Replacement Part 2 Dim	1" x 18" x 4"

CONTRACT

Contract Suitable	true
-------------------	------