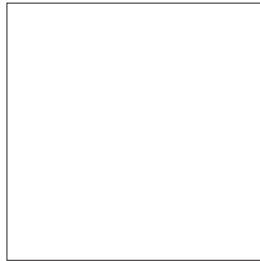
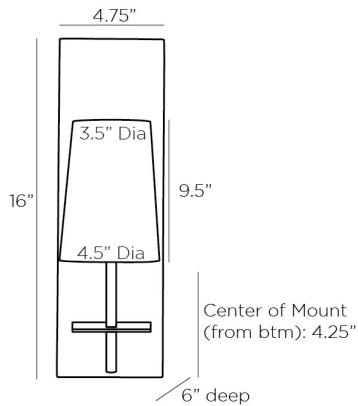


# ARTERIOS

## NEO SCONCE



44785-510

H: 16 IN, W: 4.75 IN, D: 6 IN

Blackend Iron, Off-White Linen

Contract Suitable As Is

Modernism is established in the elegant and architecturally-inspired design of the Neo. A constructivist L-shape of blackened iron presents an antique brass iron collar topped with an off-white linen shade for a stark but striking contrast. Damp-rated, although limited covered outdoor areas may affect finish.

### APPEARANCE

Material	Iron, Linen
Finish	Antique Brass, Blackened Iron, Off-White
Top Coat/Sealant	true

### DIMENSIONS

Center Of Mount From Btm	4.25 IN
Shade	Top: 3.50 IN, Dia: 4.50 IN, Side: 6.5 IN
Backplate	H: 4.75 IN, W: 4.75 IN, D: 0.5 IN
Mount	H: 4.5 IN, W: 4.5 IN

### WIRING

Rating	Damp
Cert Note	Pending Review
Cord	1 FT, Clear/Silver, SVT
Socket	1, Type B - E12
Maximum Watt	25
Voltage	110-120 V

### COMPLIANCY

RoHS	true
------	------

### SHIPPING

Product Weight	8 LBS
Gross Weight 1	6.6 LBS
Gross Weight 2	5 LBS
Shipping Box 1	H: 8 IN, L: 7.1 IN, W: 17.75 IN
Shipping Box 2	H: 8.5 IN, L: 8.5 IN, W: 8.5 IN

### CONTRACT

Contract Suitable	true
-------------------	------