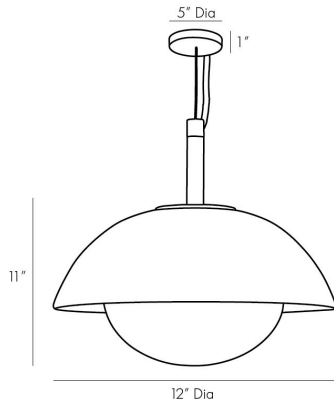


ARTERIOS

GLAZE PENDANT

WORKSHOP



DA49002

H: 12 IN, Dia: 12.00 IN

Blackened Steel, Ivory Stained Crackle Ceramic

Contract Suitable As Is

An ultra-versatile pendant that offers dynamic contrast through modern and seemingly handcrafted materials, light and dark hues and thoughtful detailing. The Glaze Pendant's stained ivory crackled ceramic bowl shade is suspended from a knurled metal pin and woven black fabric cord. The pendant's opal frosted glass provides a soft, flattering glow that is reflected and diffused by the shade's glossy finish. Hang as a

APPEARANCE

Material	Ceramic, Glass, Steel
Material Type	Frosted
Finish	Blackened Steel, Ivory Stained Crackle, Opal
Finish Will Vary	true
Top Coat/Sealant	false

DIMENSIONS

Pendant	H: 11 IN, Dia: 12.00 IN
Minimum Hanging Height	12 IN
Maximum Hanging Height	126 IN
Canopy	H: 1 IN, Dia: 5.00 IN

WIRING

Rating	Damp
Cord	10 FT, Black Cloth, SVT
Socket	1, Type A - E26
Maximum Watt	40
Voltage	110-120 V

CERTIFICATIONS

Certifications	Mexico Australia, EU, United Kingdom, Middle East, United States, Canada
----------------	---

COMPLIANCY

UL/ETL	Yes
CB	Yes
RoHS	true

SHIPPING

Product Weight	8 LBS
Gross Weight 1	10.6 LBS
Shipping Box 1	H: 16 IN, L: 16 IN, W: 15.5 IN

REPLACEMENT PARTS

Replacement Part 1	CANOPY-482
Replacement Part 1 Dim	.5" x 5.5"

CONTRACT

Contract Suitable	true
-------------------	------