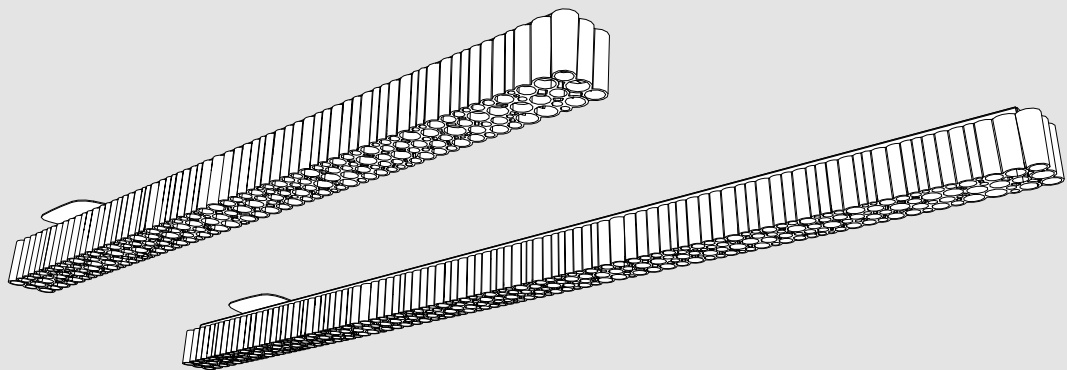


# Artemide®

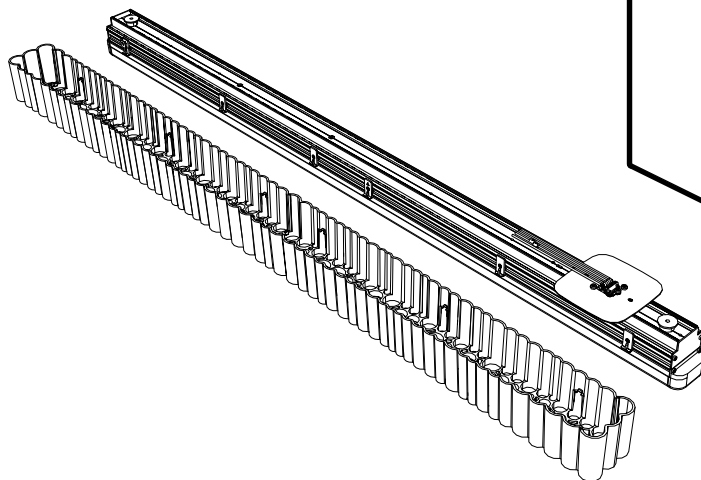
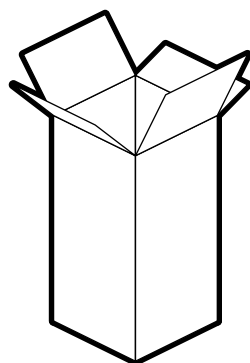
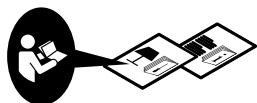
## Calipso

design  
Neil Poulton

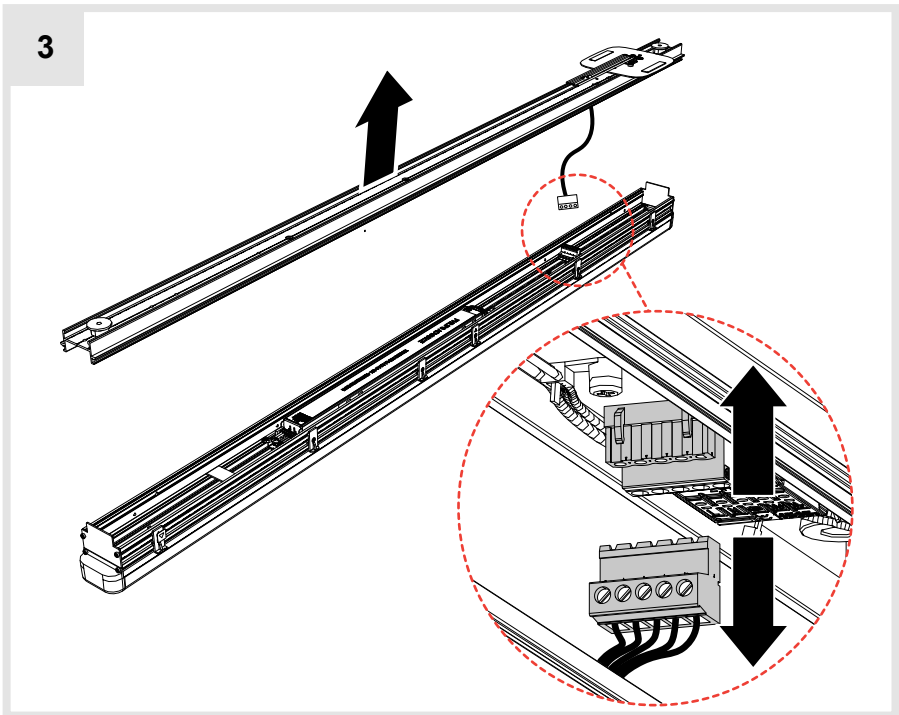
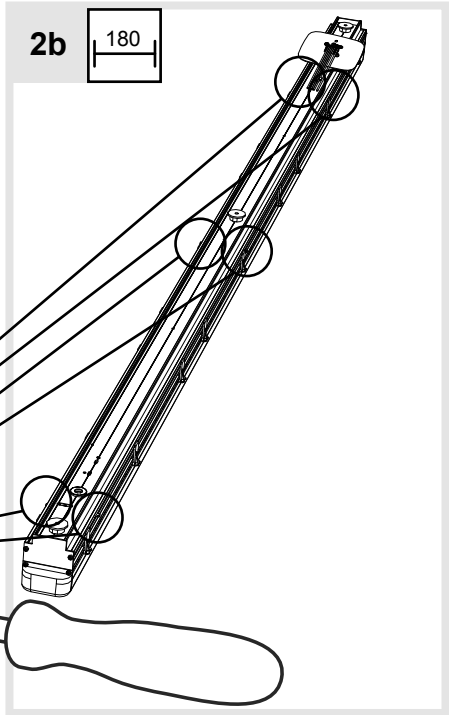
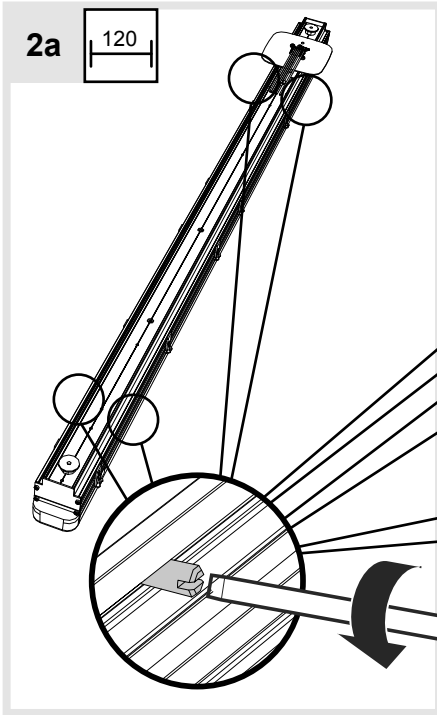


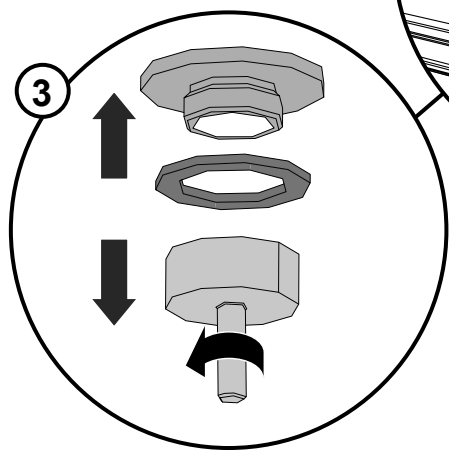
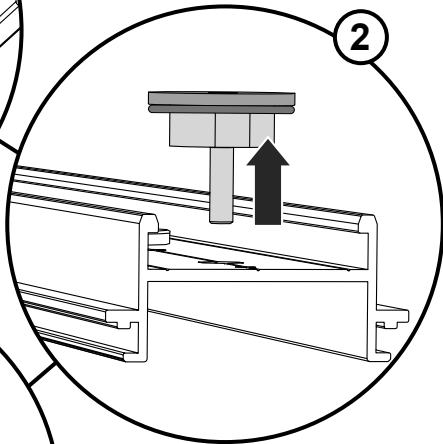
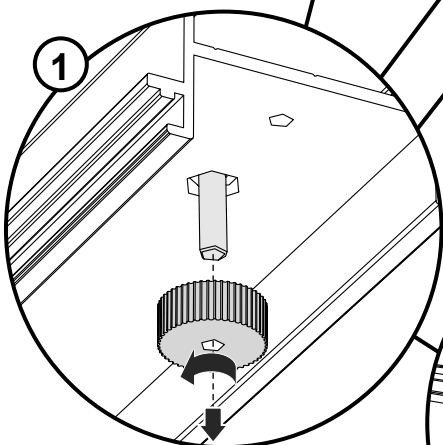
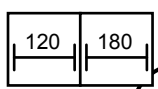
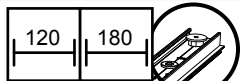


i



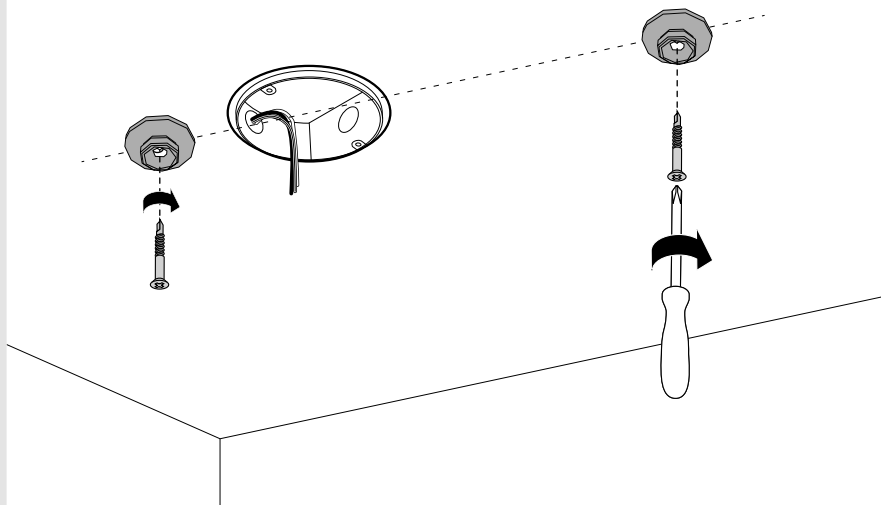






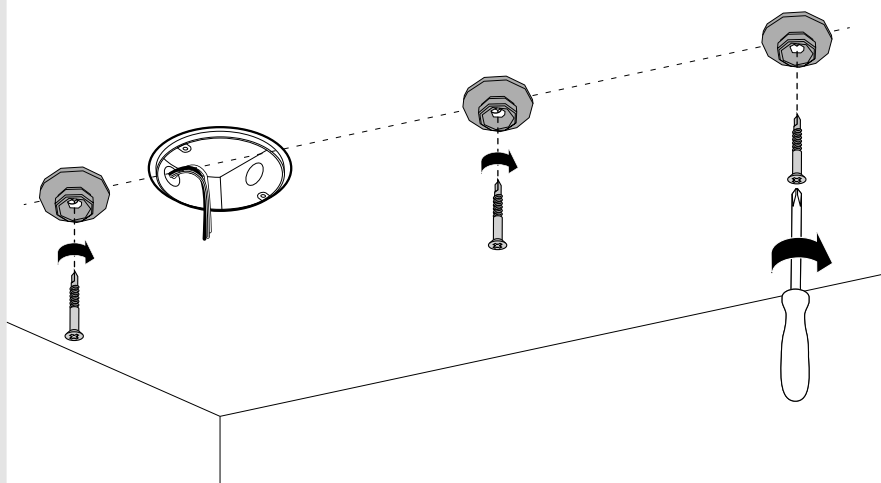
5a

120

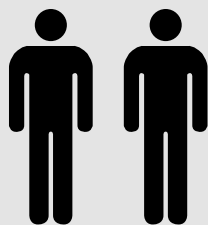
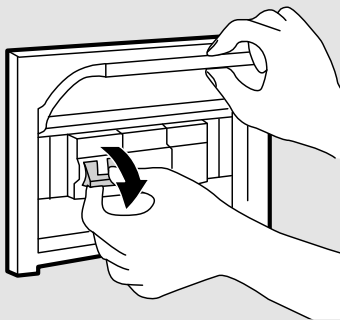
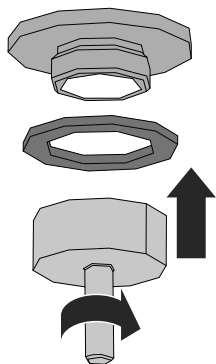


5b

180

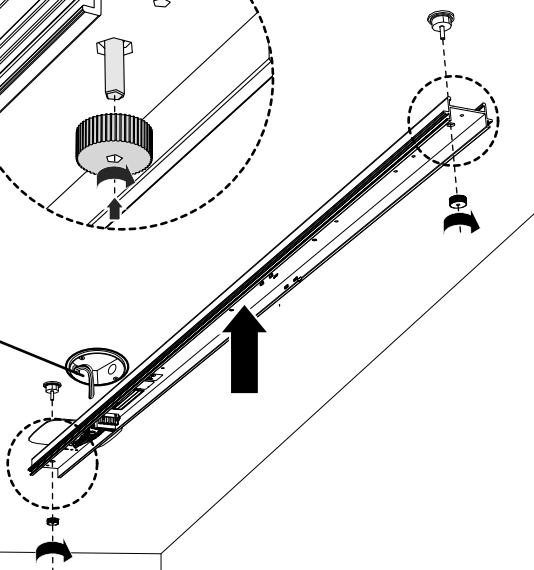
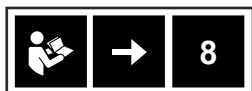
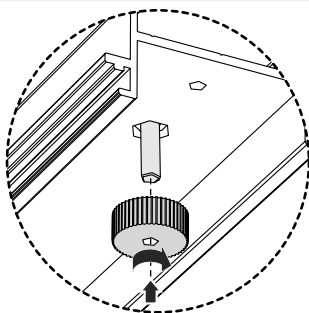


6



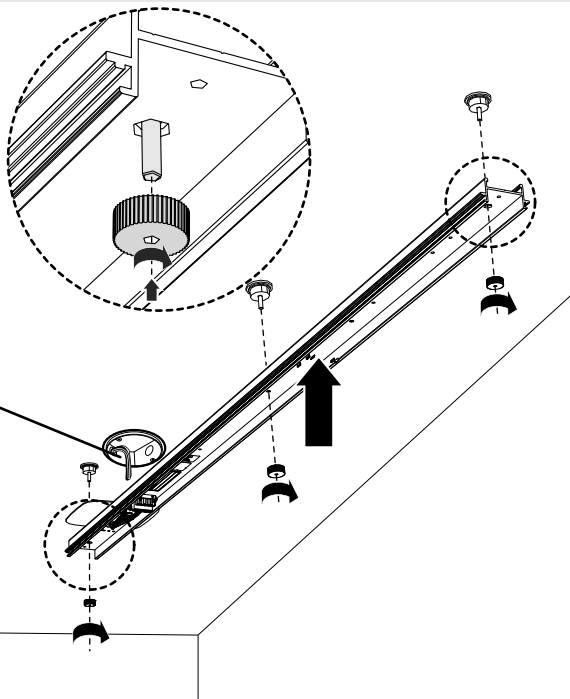
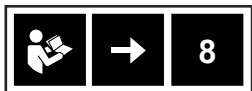
7a

120



7b

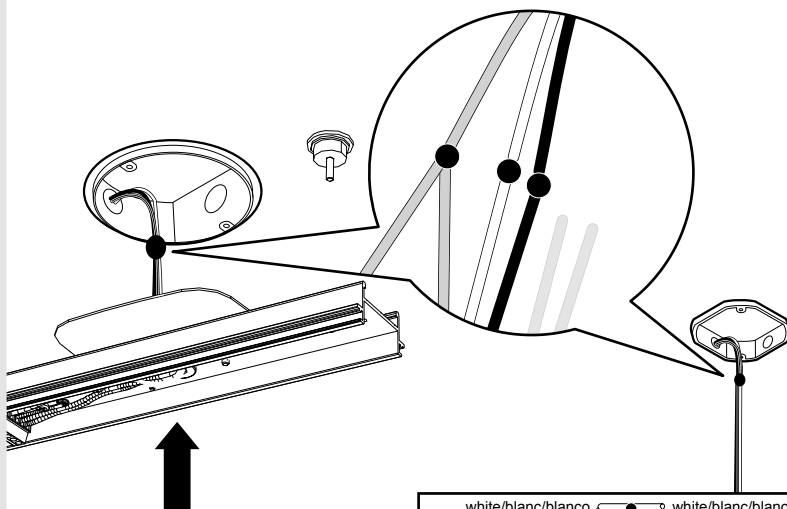
180



8a



For voltage refer to product label  
 Pour la tension consulter l'étiquette du produit  
 Para el voltaje consultar la etiqueta del producto



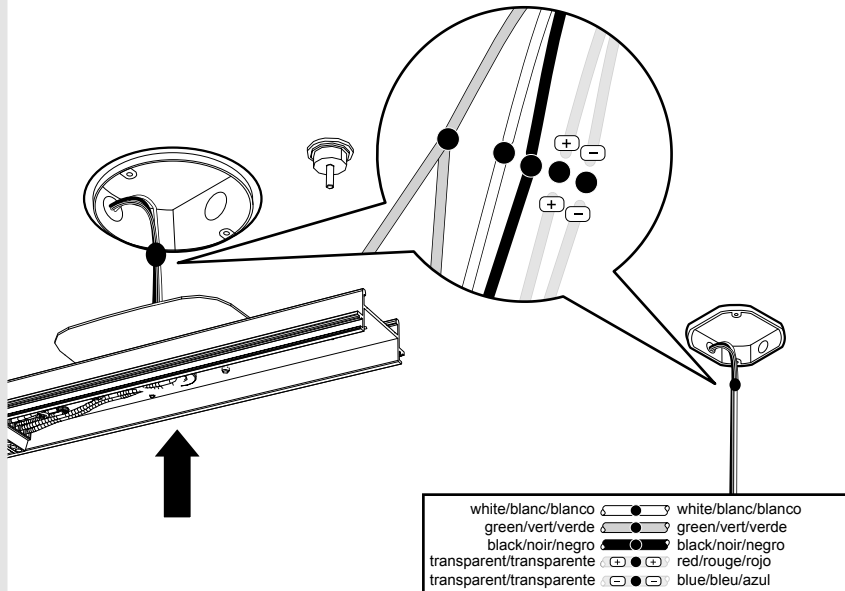
- |                    |     |                    |
|--------------------|-----|--------------------|
| white/blanc/blanco | ○●○ | white/blanc/blanco |
| green/vert/verde   | ○●○ | green/vert/verde   |
| black/noir/negro   | ●●● | black/noir/negro   |
|                    | □   | red/rouge/rojo     |
|                    | □   | blue/bleu/azul     |



**8b**

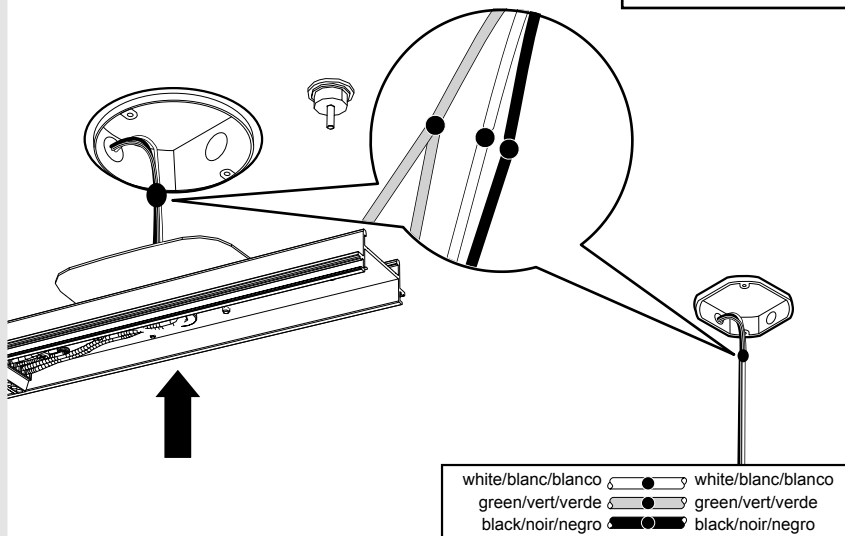
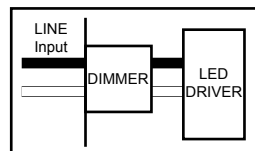
120-277 V

1-10 V dimming control  
Dimmable 1-10 V  
Regulable mediante control 1-10 V

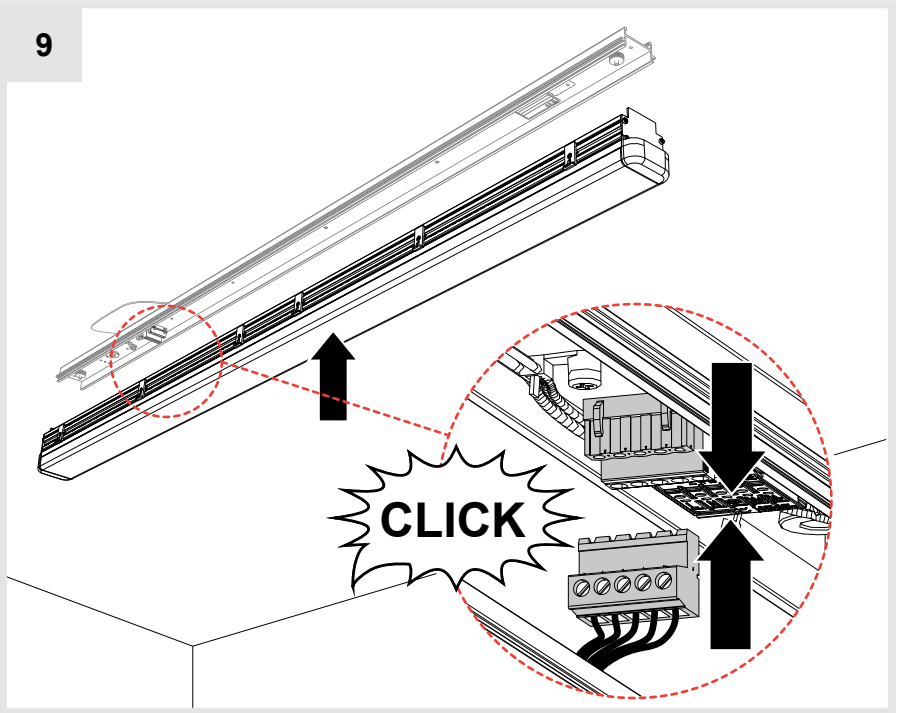
**8c**

120 V

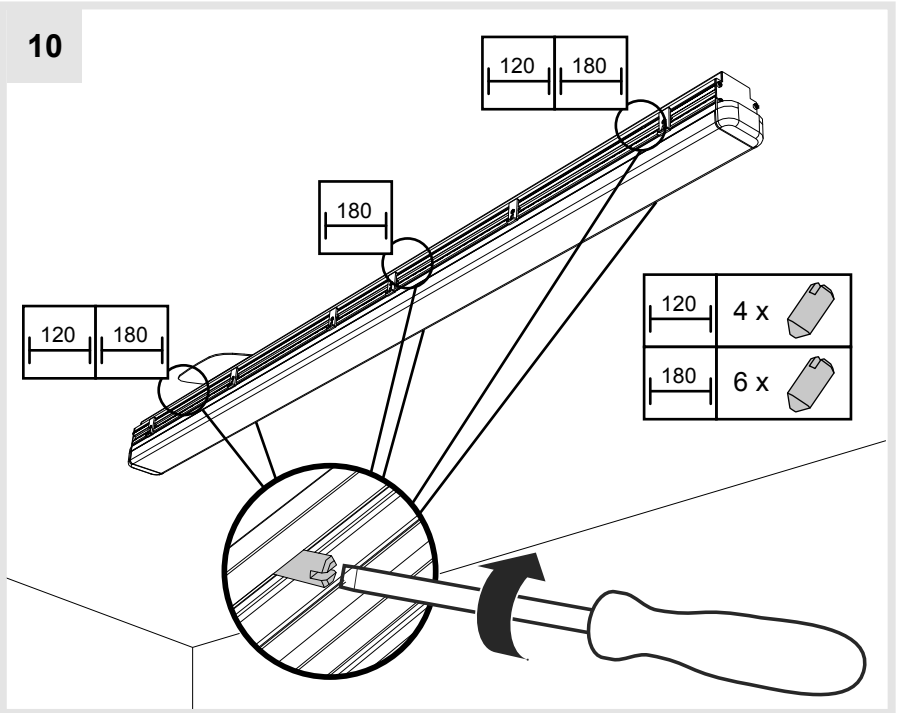
Phase cut  
Coupure de phase  
Corte de fase



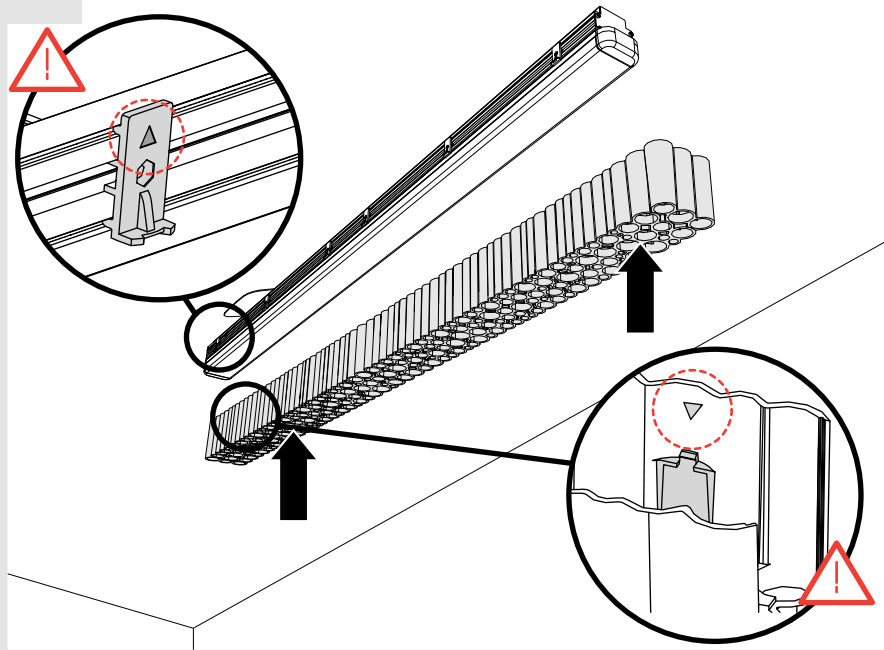
9



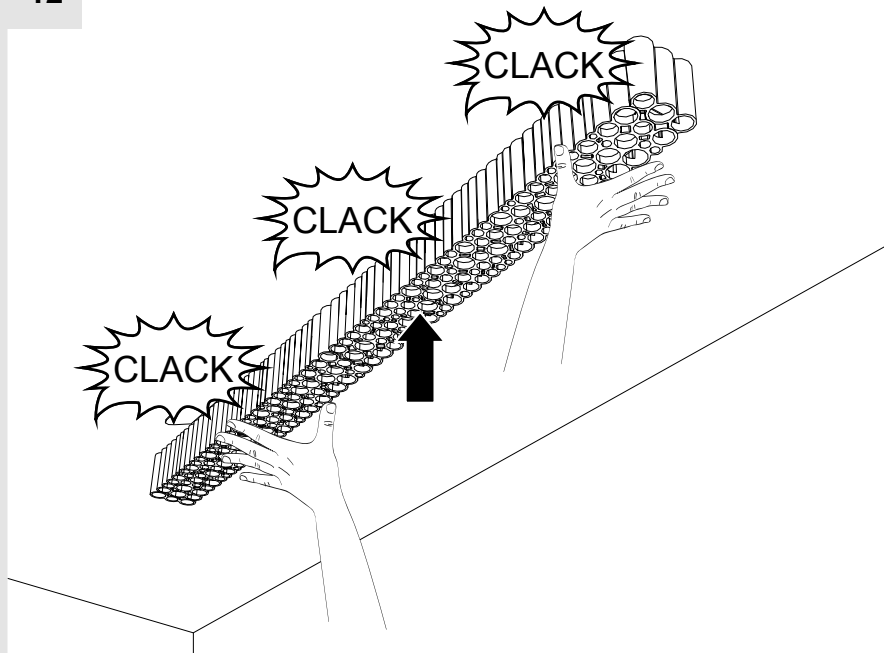
10

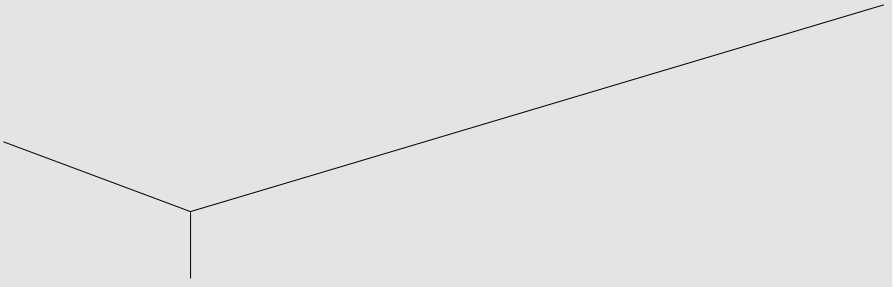
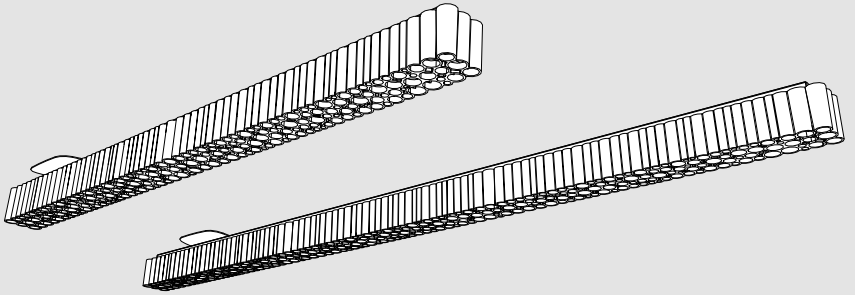


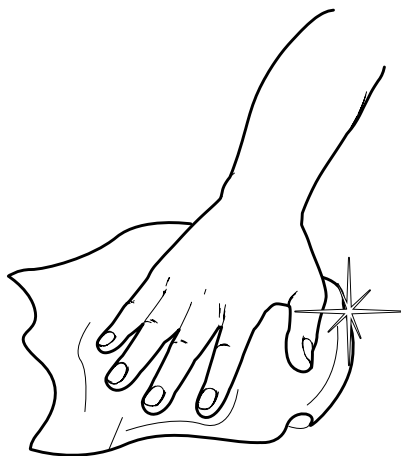
11



12



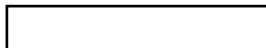








# Artemide®



## **Artemide**

via Bergamo, 18  
20010 Pregnana M.se (MI)  
ITALIA

tel. +39 02 935 181  
fax +39 02 935 90 254  
fax +39 02 935 90 496

[www.artemide.com](http://www.artemide.com)

VAT IT00846890150

## **Artemide Inc.**

250 Karin Lane  
Hicksville, NY 11801

Tel. 631 694 9292  
Toll Free 1-877-Art-9111  
Fax 631 694 9275

[www.artemide.net](http://www.artemide.net)

## **Artemide Ltée/Ltd.**

11105 rue Renaude Lapointe  
Montréal, Québec H1J 2T4

Tel. 514 323 6537  
Toll Free 888 777 2783  
Fax 514 323 8864

[www.artemide.net](http://www.artemide.net)

cod. Y513001226