

PARTS INCLUDED

Please begin installation by accounting for and familiarizing yourself with all included parts.

Mounting Screw



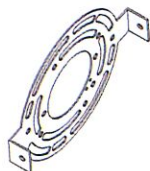
Outlet Box screw



Wire Connector



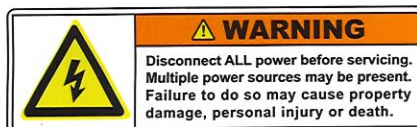
Mounting Strap



CSA / UL SAFETY REQUIREMENTS

CSA / UL requires that these **IMPORTANT SAFETY INSTRUCTIONS** be listed;

- Before starting installation of this fixture or removal of a previous fixture, disconnect the power by turning off the circuit breaker or by removing the fuse at the fuse box.
- Consult a qualified electrician if you have any electrical questions or need to replace the driver.

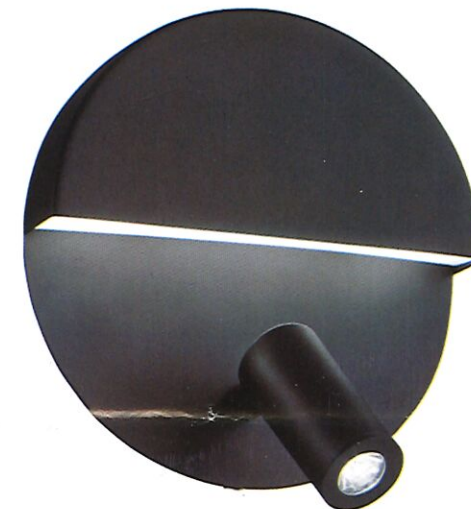


CARE INSTRUCTIONS

Arnsberg suggests using only micro fiber cleaning cloth to clean this fixture. If required, a slightly damp cleaning cloth may be used to spot clean. Do not use common household cleaners on this fixture, as the final finish may be damaged as a result. Enjoy your new Arnsberg fixture.

MARIO

222370228 222370231 222370232



Arnsberg
Das Licht

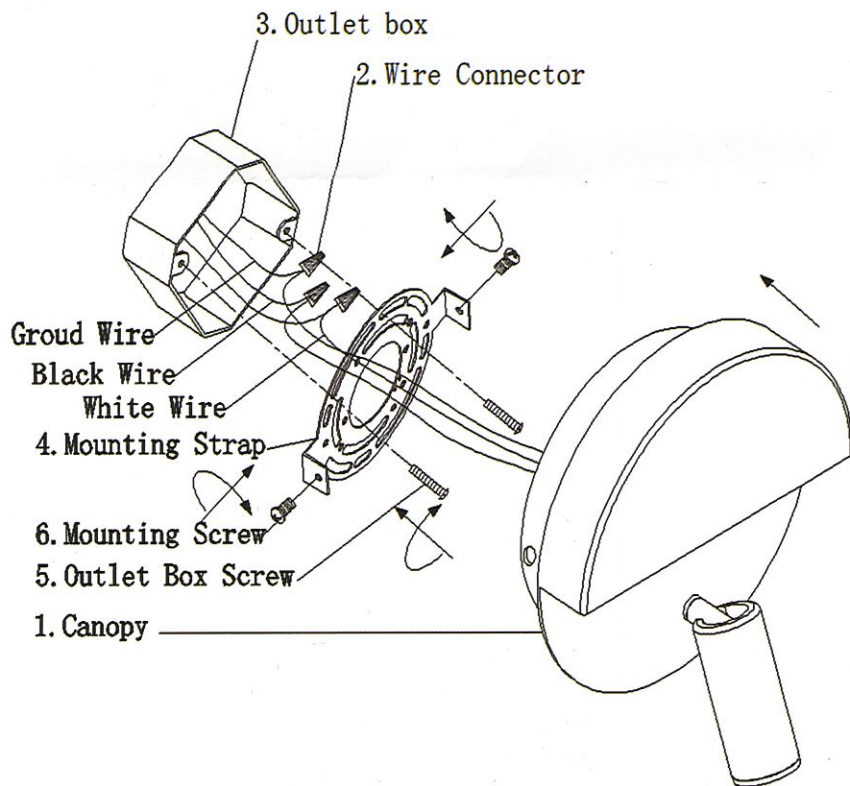
customerservice@arnsberg.com
www.arnsberg.com

Arnsberg

Das Licht

customerservice@arnsberg.com
www.arnsberg.com

MOUNTING INSTRUCTIONS



ASSEMBLY INSTRUCTIONS FOR

MARIO

222370228 222370231 222370232

ASSEMBLY INSTRUCTIONS

- 1 Mount the Straps (#4) to the Outlet Box(#3) using the Outlet Box Screws(#5) . Make sure the heads of the Mounting Screws are facing outside when the Mounting strap is attached to the Outlet Box.
- 2 Connect the ground wire from the fixture to the ground wire from the Outlet Box(#3) . Connect the white wire from the fixture to the white wire (neutral wire) from the Outlet Box(#3) . Connect the black wire from the fixture to the black wire (live wire) from the Outlet Box(#3) . Cover the connection using the Wire Connectors (#2) . Wrap the wire connections with electrical tape for a more secure connection. Position the wires back inside the Outlet Box(#3) Note:if you have electrical questions,consult your local electrical code for approved grounding methods.
- 3 Place the Canopy(#1) over the Outlet Box(#3) . Allow the heads of the Mounting Screws (#6) to come out through the large ends of the keyholes of the Canopy(#1) . Twist the Canopy(#1) until the heads of the Mounting Screws (#6) slide into the narrow ends of the keyholes. Screw the Mounting Screws (#6) to secure the Canopy(#1)
- 4 Before completing installation, adjust the joiner to adjust the position of the lampshade to your desired position.
- 5 Installation is complete. Turn on the power at the circuit breaker or fuse box. Turn the light switch on to activate the fixture.