

Type 75™ Lamp with Wall Bracket

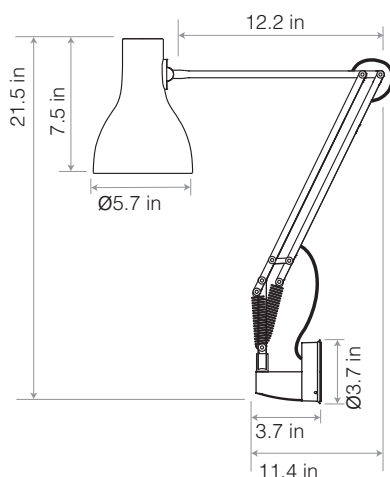
Type 75™ Collection | Technical Sheet

ANGLEPOISE®
Abandon Darkness.

Launched In 2004 | Designed by Sir Kenneth Grange



Max Horizontal Reach 31.7 in
Max Vertical Reach 35.4 in



Product

Lamp with Wall Bracket - Jet Black
Lamp with Wall Bracket - Alpine White
Lamp with Wall Bracket - Slate Grey
Lamp with Wall Bracket - Silver Luster

Accessories are color-matched.
Lamps with accessories come with a table base.

Description

Our Type Range Wall Bracket gives you the flexibility to mount any of our Type Range lights to the wall, freeing up valuable surface space and allowing you to focus your task light precisely where it is most needed. New features include a more subtle profile, a broader back plate (for better stability), options for hardwiring a lamp or trailing cable to the wall socket and four beautiful, color matched finishes.

Materials

- Matt paint or brushed aluminum finish
- Aluminum shade and arms
- Chrome plated fittings
- Die Cast aluminum wall bracket
- IP20 rating

Dimensions

- Shade diameter: 5.7in
- Shade height: 7.5in
- Max reach: 31.7in (from bracket to shade)
- Wall bracket dimensions (ø x d): ø3.7in x 3.7in
- Cable length: 98in
- Lamp packaging (L x W x H): 12.6in x 6.7in x 17.4in
- Lamp Packaged Weight: 8.9lbs
- Bracket Packaging (L x W x H): 3.9in x 2.4in x 3.9in
- Bracket Packaged Weight: 0.6lbs

Electrical

- cUL Certified
- Voltage: 110/120V, 50/60Hz
- Note: Bulb weight critical for balance. Approximate bulb weight 25-45g
- Integrated shade switch
- Plug: 2-blade US plug to NEMA 1-15
- E26 Lamp holder
- Maximum permitted bulb: 15W CFL / 10W LED
- Supplied with a compatible LED bulb:
 - 6.5W LED Bulb
 - Luminous Intensity: 600lm
 - Life: 15,000 Hours
 - Non-dimmable
 - Color Temperature: 2700K
 - CRI (Ra) : ≥ 80

