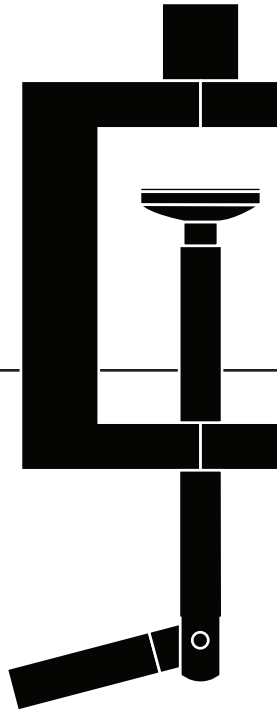


# ANGLEPOISE®

Type Range | Designed by Sir Kenneth Grange



**Type Range**  
**Desk Clamp**

# Type Range Desk Clamp

Please read these instructions in conjunction with those included with the desk lamp. They will cover additional product details, electrical and safety information relating specifically to the lamp.

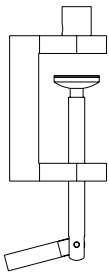
Veillez lire ces instructions conjointement avec celles fournies avec la lampe de bureau. Elles aborderont des détails complémentaires sur les produits, ainsi que des informations électriques et de sécurité spécifiquement liées à la lampe.

Bitte lesen Sie sich diese Anleitung zusammen mit der dem Lieferumfang der Schreibtischlampe beigelegten Anleitung durch. Sie behandeln zusätzliche Produktdetails, elektrische Daten und Sicherheitshinweise, die sich speziell auf die Lampe beziehen.

Si prega di leggere queste istruzioni assieme a quelle incluse nella lampada da scrivania. Tali istruzioni forniscono informazioni aggiuntive sul prodotto, informazioni sui rischi elettrici e sulla sicurezza che riguardano specificatamente la lampada.

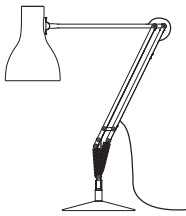
Por favor, lea estas instrucciones en relación con las incluidas con la lámpara de escritorio. Cubrirán detalles adicionales del producto e información eléctrica y de seguridad relativa específicamente a la lámpara.

The Type Range Desk Clamp is only compatible with:  
Type 75™ Desk Lamp, Type 75™ Mini Desk Lamp and Type 1228™ Desk Lamp.

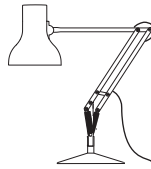


Type Range Desk Clamp

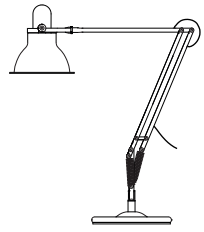
+



Type 75™ Desk Lamp



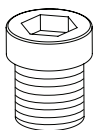
Type 75™ Mini Desk Lamp



Type 1228™ Desk Lamp

## ASSEMBLY PARTS & TOOLS:

Your Anglepoise® comes supplied with everything you need to assemble and install your product. The assembly parts and tools you'll find in the box are:

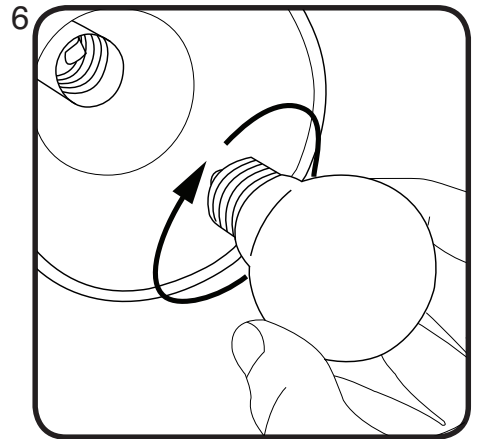
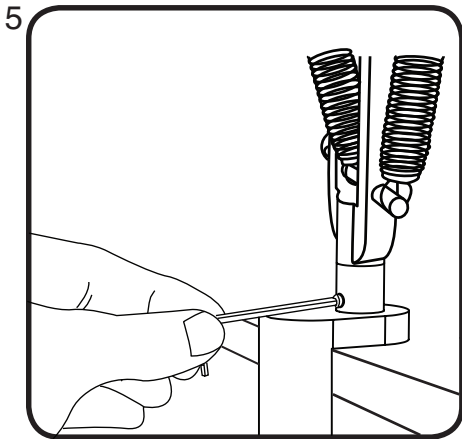
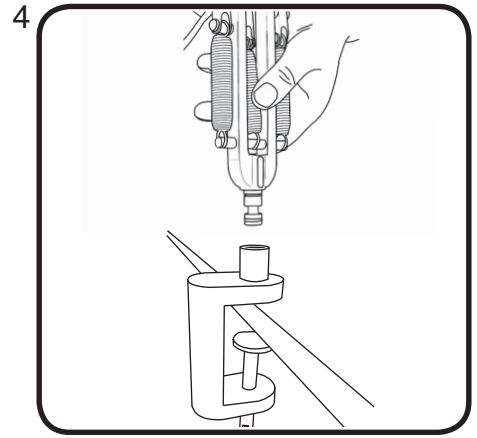
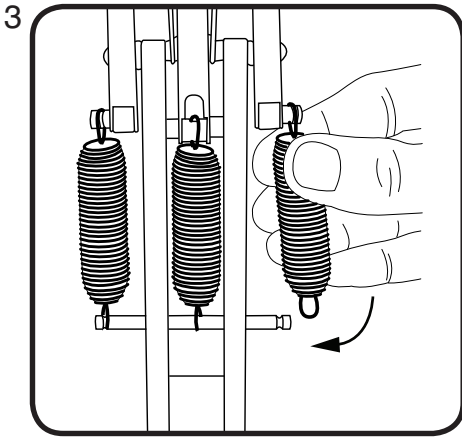
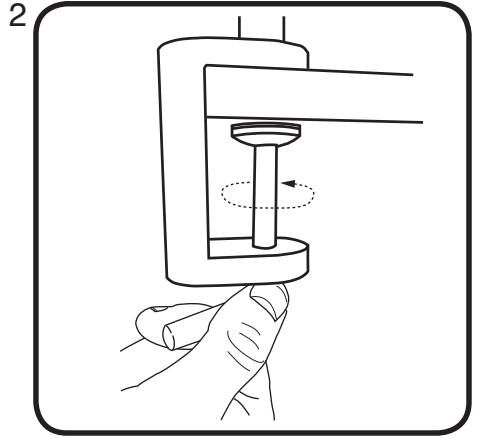
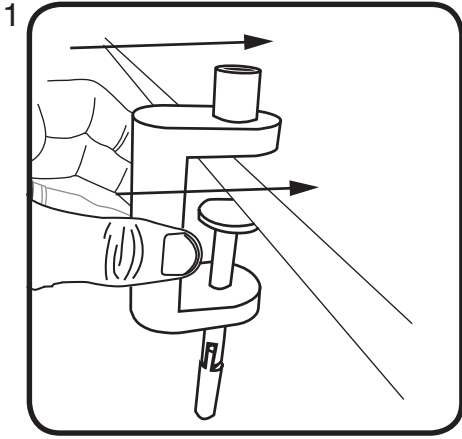


Anglepoise®  
Grub Screw  
1x 100033



Anglepoise®  
Hex Key  
1x 100117

PARTS NOT TO SCALE



## PRODUCT WARRANTY:

For warranty information, please visit:

**UK & International:** [www.anglepoise.com/warranty](http://www.anglepoise.com/warranty)

**US & Canada:** [us.anglepoise.com/warranty](http://us.anglepoise.com/warranty)

## NEWSLETTER:

Sign up to the Anglepoise® newsletter for the latest news and updates at:

**UK & International:** [www.anglepoise.com/newsletter](http://www.anglepoise.com/newsletter)

**US & Canada:** [us.anglepoise.com/newsletter](http://us.anglepoise.com/newsletter)

## DOWNLOADS:

For news, technical information, CAD files, images and the latest Anglepoise® brochure, please visit:

[files.anglepoise.com](http://files.anglepoise.com)

## CONTACT:



### UK Headquarters:

Anglepoise Ltd  
A10 Railway Triangle  
Walton Road  
Farlington  
Hampshire  
England  
PO6 1TN



### UK & International:

+44 (0) 2392 224450

### North & South America:

+1 (888) 5193225

[www.anglepoise.com](http://www.anglepoise.com)

[technical@anglepoise.com](mailto:technical@anglepoise.com)

Find @Anglepoise On



# ANGLEPOISE®