

Angelo Vanity

VS18252, VS18253 1.0

GENERATION LIGHTING

Vanity

GENERAL PRODUCT INFORMATION:

These fixtures are intended to be installed utilizing NEC compliant junction boxes.

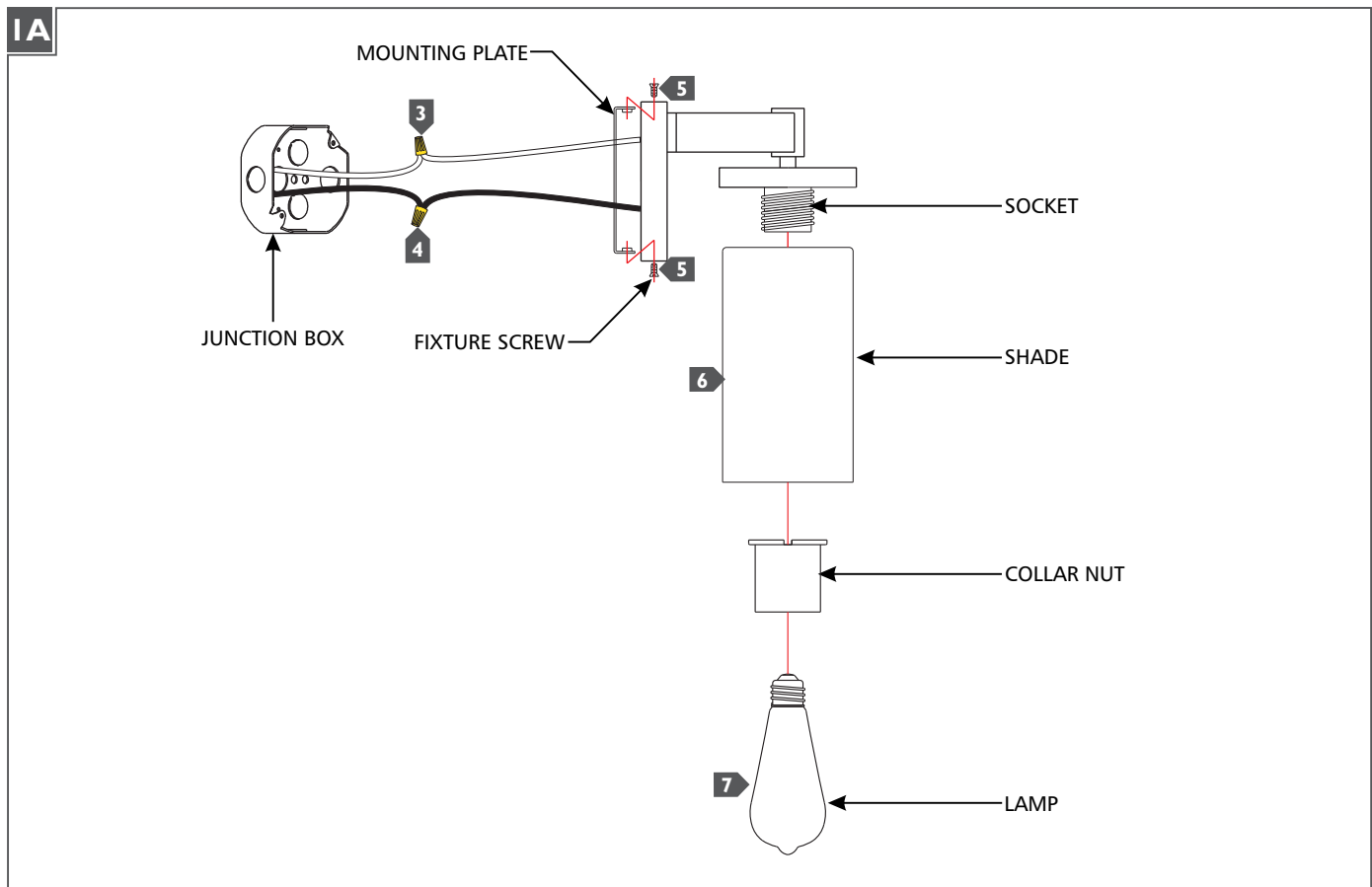
This product is safety listed for damp locations.

Incandescent lamps may be dimmed with a standard incandescent dimmer. LED lamps may be dimmed with a LED dimmer. Consult lamp manufacturer for additional information.

CAUTION - RISK OF FIRE

This product must be installed in accordance with the applicable installation code by a person familiar with the construction and operation of the product and the hazards involved.

Use minimum 90°C supply conductors.



- 1** Secure the mounting plate to the junction box.
- 2** Connect the fixture ground wire to a suitable ground in accordance to local electrical codes.
- 3** Connect the white fixture wire to the neutral power line wire with a wire nut.
- 4** Connect the black fixture wire to the hot power line wire with a wire nut.
- 5** Properly place all wires and wire nut connections into the junction box/fixture base, mount the fixture onto the mounting plate and secure it in place using the fixture screws.
- 6** Place the shade onto the socket and secure it in place by screwing the collar nut onto the socket. **Do not over tighten.**
- 7** Screw the lamp(s) into the socket(s). Refer to the label on the socket for Max Wattage Information.

SAVE THESE INSTRUCTIONS!

GENERATION LIGHTING

7400 Linder Ave, Skokie, IL 160077

800.969.3347

www.generationlighting.com

© 2019 Generation Lighting. All rights reserved.

The "Generation Lighting" graphic is a registered trademark of Generation Lighting. Generation Lighting reserves the right to change specifications for product improvements without notification.