

# alora mood

P. 1.855.855.8926

CANADA: 102-19028 27th Ave. - Surrey, BC V3Z 5T1

USA: 3035 E. Lone Mountain Rd - Las Vegas, NV, 89081

## ARCHER WV584510MB



FIXTURE DIMENSIONS	W9-1/2" x H9-3/4" x E25-5/8"
EXTENSION	25-5/8"
LAMP TYPE	E26
MAX WATTAGE	60W
BULB QTY	1
BULBS INCLUDED	No
RECOMMENDED BULB TYPE	A19
VOLTAGE	120V
SHADE DIMENSIONS	D9-1/2" x H5-5/8"
MATERIAL	Steel
INSTALL OPTIONS	Down Only
LOCATION	Damp
BARCODE	UPC 69175907665
CANOPY DIMENSIONS	D5" x E1-3/4"
FINISH OPTION(S)	Matte Black
BRAND	Alora Mood

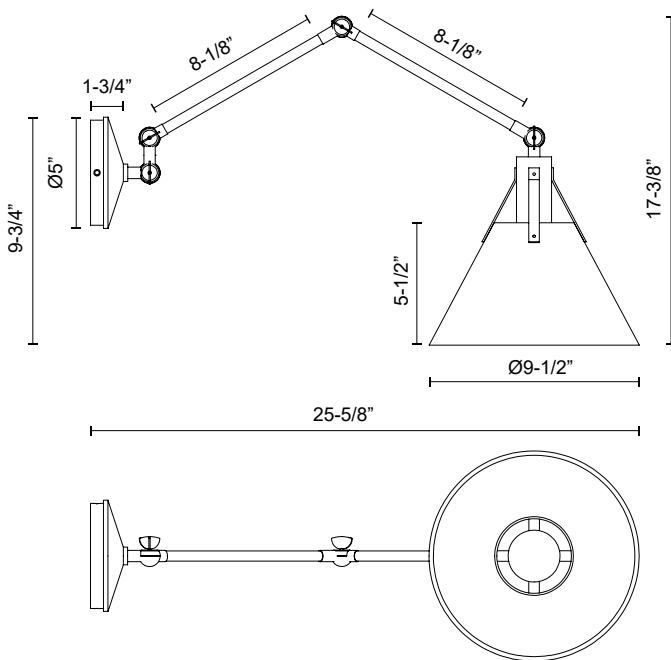
[ D - Diameter, L - Length, W - Width, H - Height, E - Extension ]

### AVAILABLE FINISHES:



WV584510MB

\*For complete warranty terms, please visit: [www.aloralighting.com/warranty](http://www.aloralighting.com/warranty)



WWW.ALORAMOOD.COM

