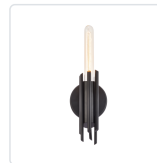


TORRES WV335409

FIXTURE DIMENSIONS	W2-1/4" x H9-1/4" x E4-3/8"
HEIGHT FROM CENTER	5-3/8"
LAMP TYPE	E26
MAX WATTAGE	60W
BULB QTY	1
BULBS INCLUDED	No
VOLTAGE	120V
MATERIAL	Iron
INSTALL OPTIONS	Up/Down; Wall;
LOCATION	Damp
CANOPY DIMENSIONS	D4-3/4" x E5/8"
PAINT FINISH	MB01; PN01; VB01;

[D - Diameter, L - Length, W - Width, H - Height, E - Extension]

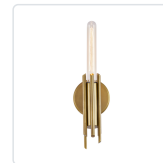
AVAILABLE FINISHES:



WV335409MB
Matte Black

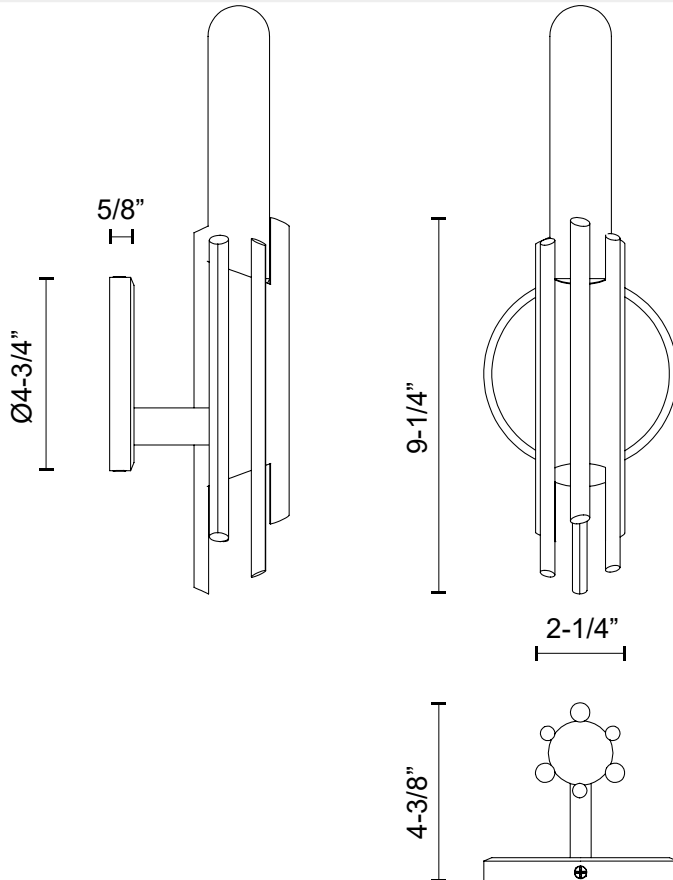


WV335409PN
Polished Nickel



WV335409VB
Vintage Brass

*For complete warranty terms, please visit: www.aloralighting.com/warranty



WWW.ALORALIGHTING.COM