

## ⚠ WARNINGS AND CAUTIONS

**Important: ALWAYS** be sure to disconnect power before re-lamping or wiring the fixture. Read these instructions completely before starting installation.

To avoid the risk of fire and/or shock fixture must be installed in compliance to national and local electrical and building codes.

If an existing fixture is being replaced take special notice of which wires were connected in the outlet box.  
**DO NOT SEPARATE ANY WIRES THAT MAY BE EXISTING IN THE JUNCTION BOX**  
**DO NOT DAMAGE THE INSULATION OF JUNCTION BOX WIRES.**

In Regular circumstances the **BLACK** wire will be “live”, **WHITE** will be “neutral” and **GREEN** or **BARE COPPER** will be “ground”. In older buildings it is always good practice to reconfirm the polarity of the wiring.

## NOTICE

- The important safeguards and instructions outlined in this sheet cannot cover all possible conditions and situations that may occur. It must be understood that caution and certain care factors must be followed. These instructions are provided for your safety and we highly recommend that a licensed, trained electrician install this unit.
- This fixture is designed to be mounted on a correctly installed standard round or octagon box through a wiring box with a plaster frame. The box must be securely mounted to the structure of the building. The crossbar and hardware supplied should be used, directly mounting the fixture to the outlet box may make it impossible to correctly align the fixture.

## ASSEMBLY INSTRUCTIONS

### Step 1

Remove fixture from its original package

### Step 2

Separate mounting plate (1c) from canopy (2a) by removing canopy screws (2b)

### Step 3

Attach mounting plate (1c) to electrical junction box (1a) using junction box screws provided (1e) in hardware package

### Step 4

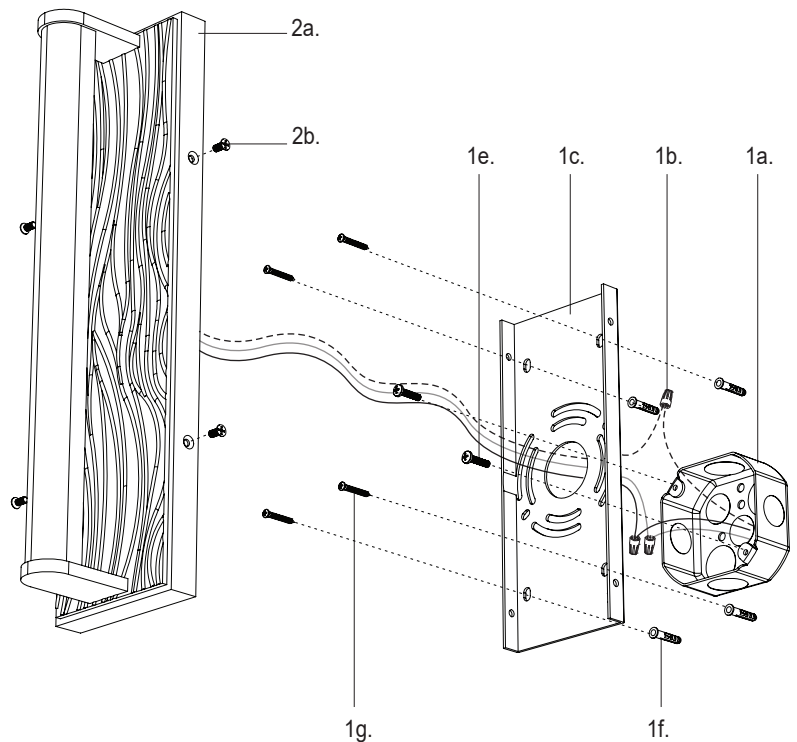
Secure mounting plate (1c) to mounting surface with anchors (1f) and screws (1g).

### Step 5

Make proper electrical connections (**black to hot “L”**, **white to neutral “N”**, **ground to “GND”**) with wire nuts (1b) provided in hardware package

### Step 6

Attach canopy (2a) to mounting plate (1c) with canopy screws (2b)



You are now ready to enjoy your fixture.