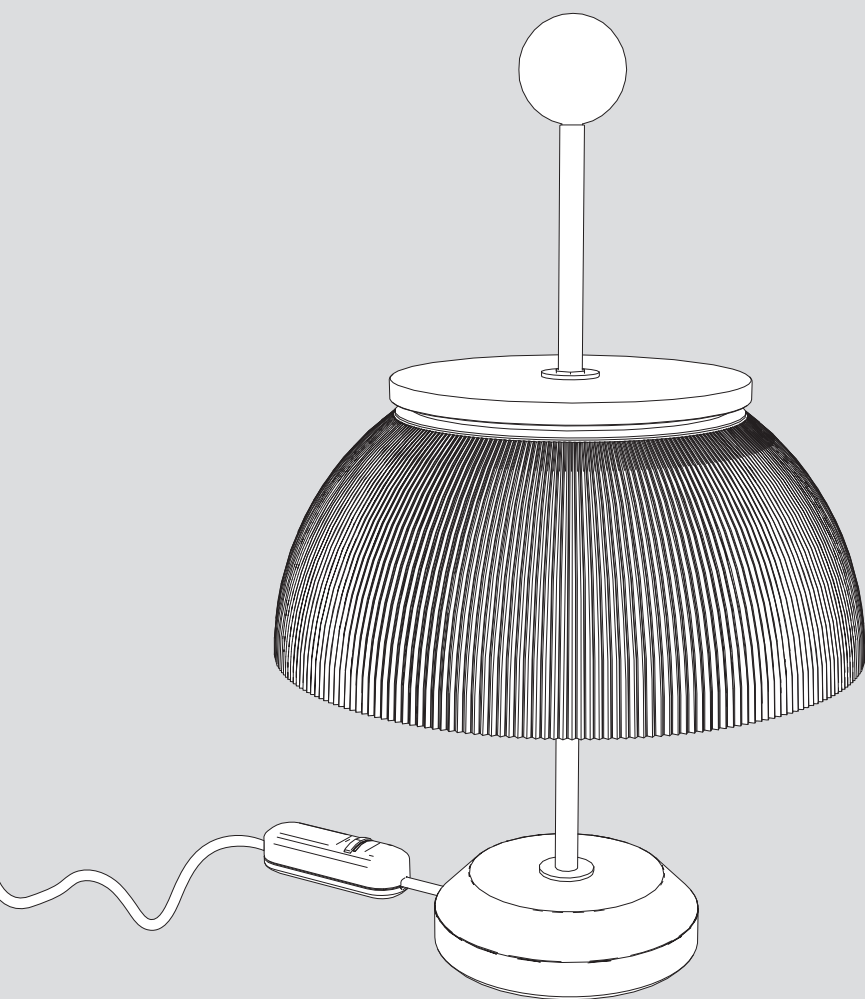


# Artemide®

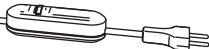
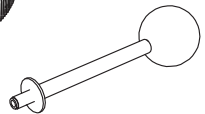
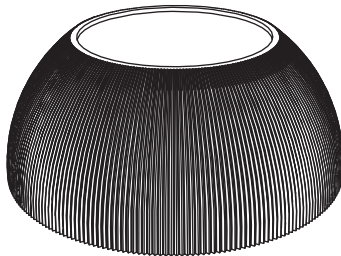
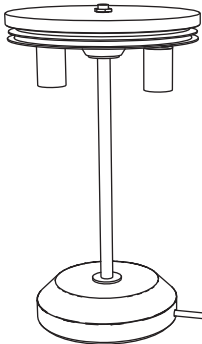
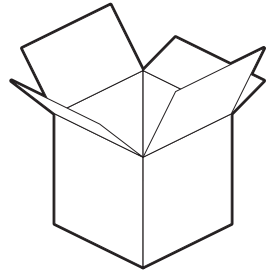
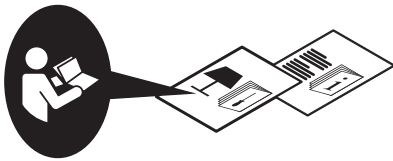
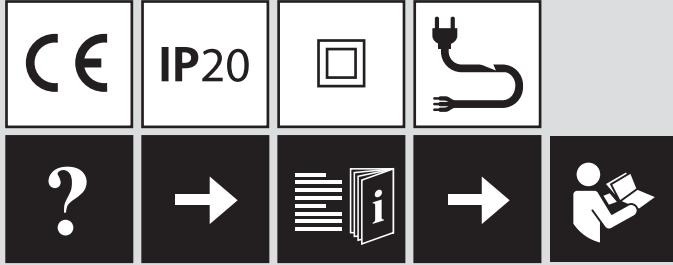
## Alfa

design  
S. Mazza

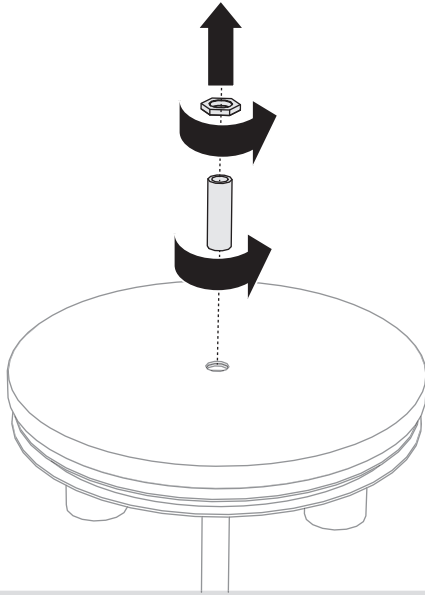




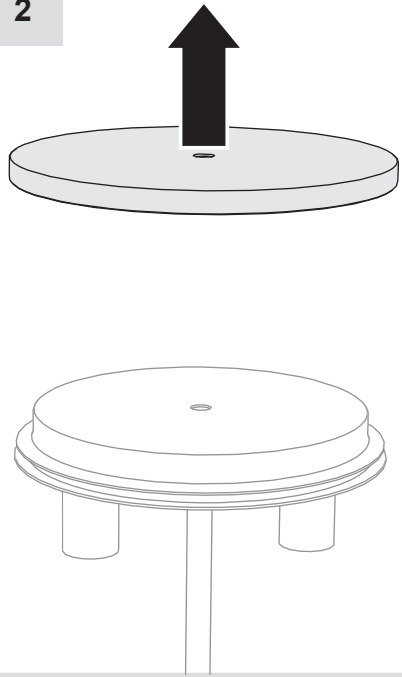
i



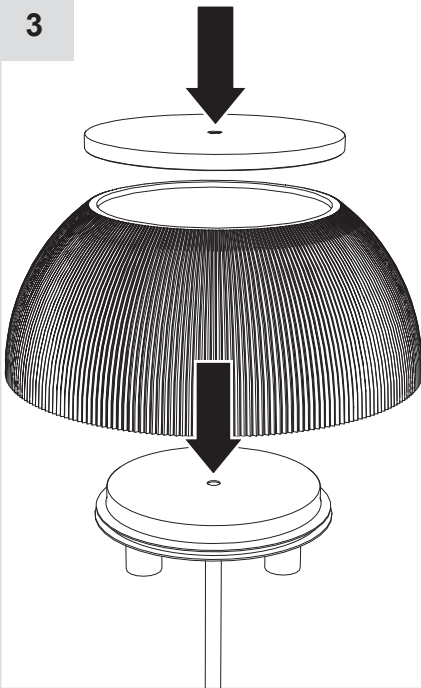
1



2



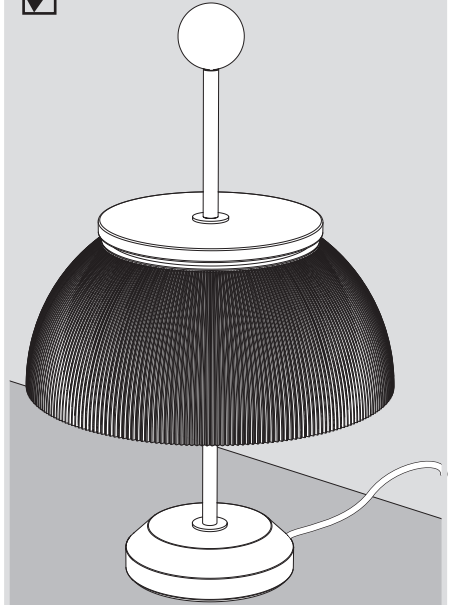
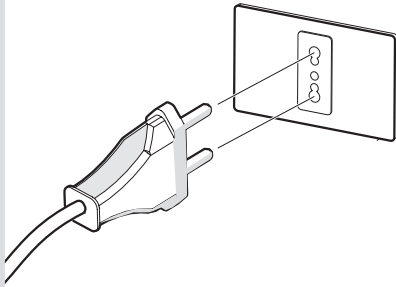
3



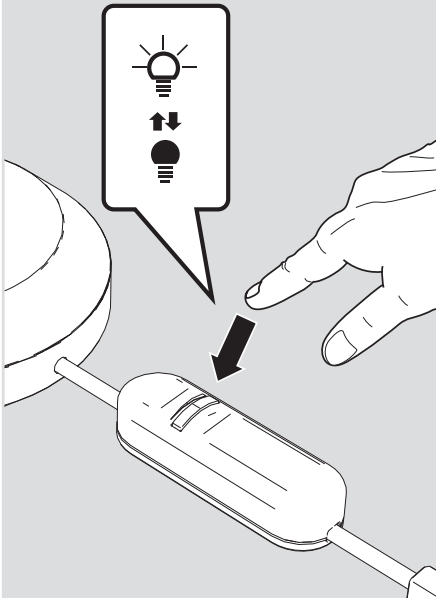
4



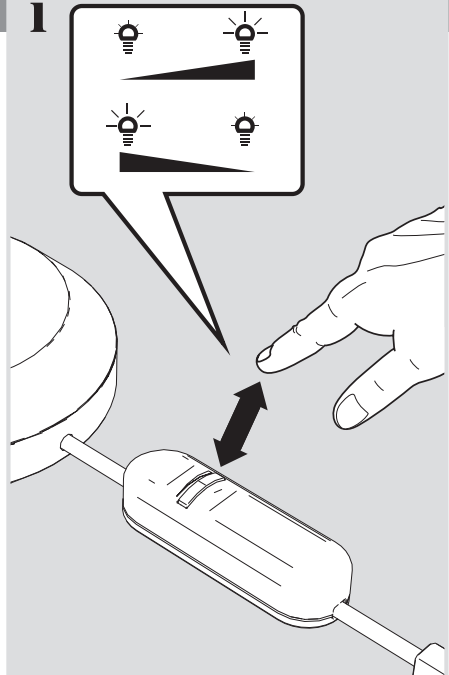
5



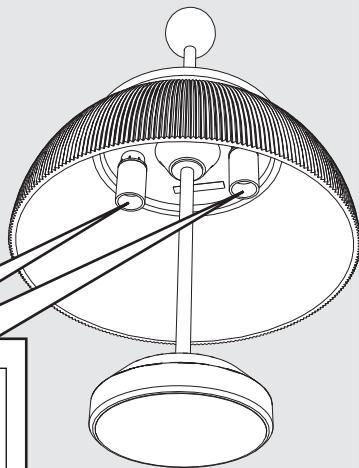
i



i



i

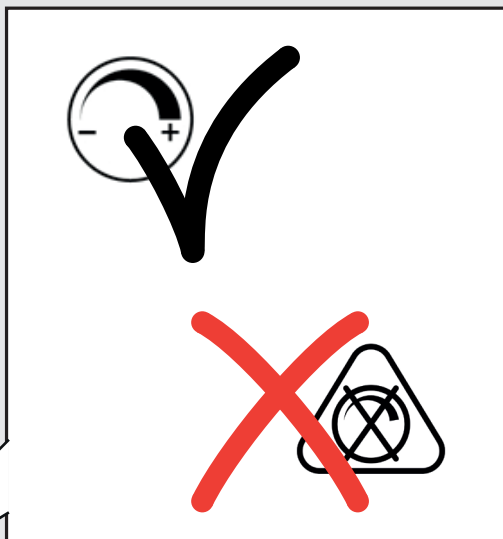
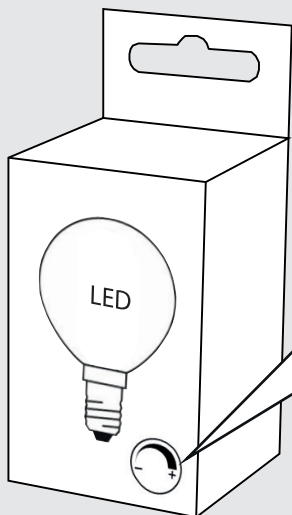


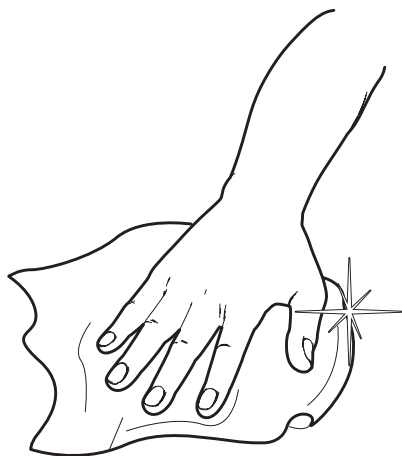
**MAX 30W - E14**

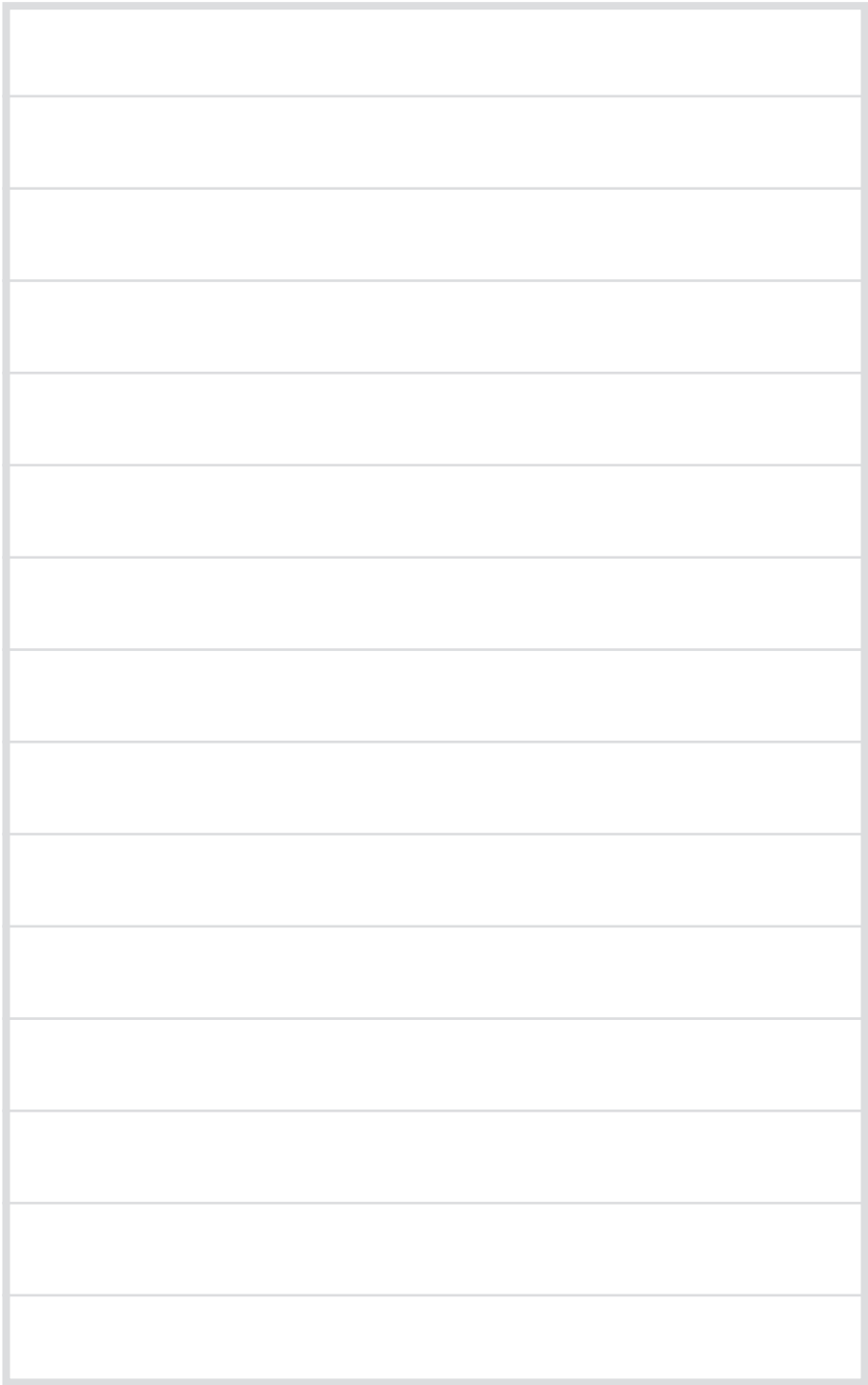
---

Halo: HSG - 400 lm

LED: DRBP - 370 lm







**Artemide®**



**Artemide**

via Bergamo, 18  
20010 Pregnana M.se (MI)  
ITALIA

tel. +39 02 935 181  
fax +39 02 935 90 254  
fax +39 02 935 90 496

[www.artemide.com](http://www.artemide.com)

VAT IT00846890150

cod. Y513000524