

Akova Pendant

700TDAKV

1.0



PENDANTS

GENERAL PRODUCT INFORMATION:

This product is suitable for damp locations.

These fixtures are intended to be installed utilizing NEC compliant junction boxes.

This product can be dimmed with most ELV or TRIAC dimmers.

This instruction shows a typical installation.



CAUTION - RISK OF FIRE
This product must be installed in accordance with the applicable installation code by a person familiar with the construction and operation of the product and the hazards involved.
Use minimum 90°c supply conductors.

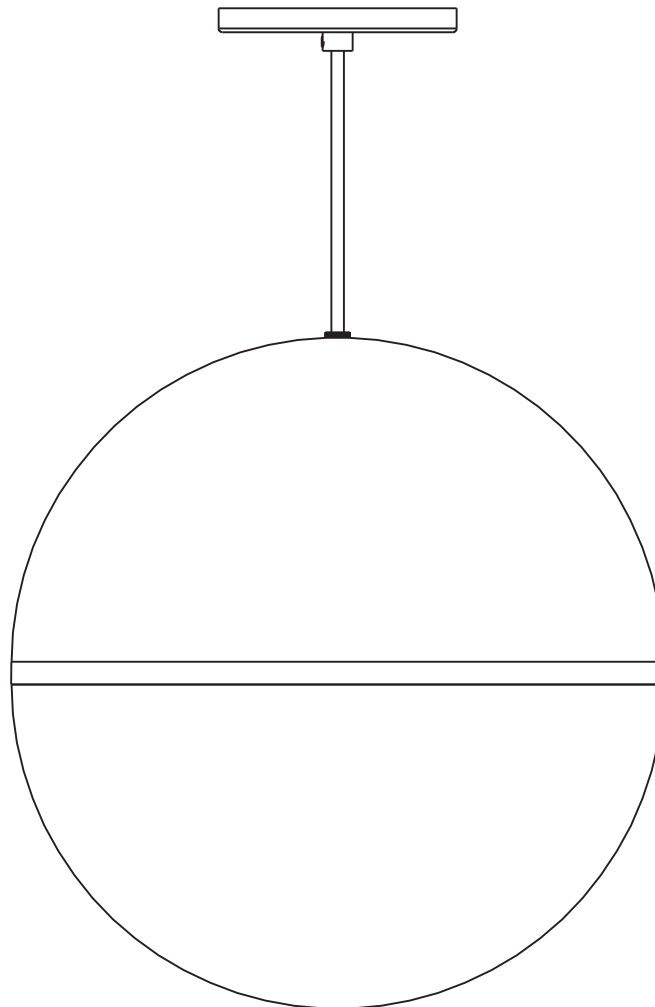


7400 Linder Ave, Skokie, IL 60077

847.410.4400

www.techlighting.com

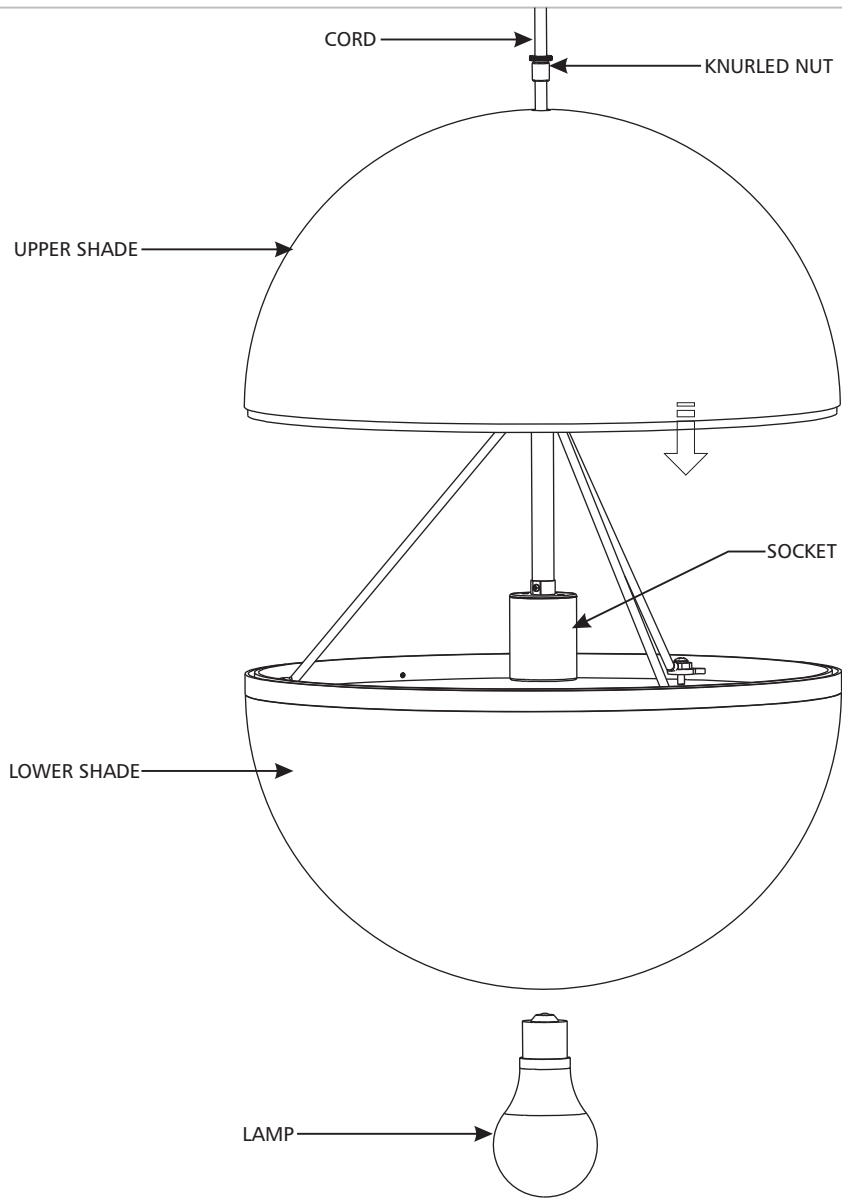
© 2020 Tech Lighting, L.L.C. All rights reserved.
Visual Comfort Group



SAVE THESE INSTRUCTIONS!

Install or Replace Lamp

1A



CAUTION: To reduce the risk of a burn or electric shock during re-lamping, disconnect the power to the fixture.

- 1 Unscrew the knurled nut at the top of the upper shade.
- 2 Slide the upper shade up to gain access to the socket.
- 3 Remove the old lamp and replace with new one. Refer to the label on the socket for Max Wattage Information.
- 4 Lower the upper shade back onto the lower shade and secure in place by reinstalling the knurled nut.
- 5 Follow the instructions included with the canopy for fixture installation to the junction box.