

December 6, 2016

# LED Product Information and Warnings

## Important

- **Always disconnect the power before installing or replacing bulbs and before cleaning or other maintenance.**
- **Consult a qualified, licensed electrician to ensure correct branch circuit conductor.**
  
- Please read all included assembly instructions and warnings carefully before installation. Contact Customer Service if you have any questions or concerns. Before installation, please confirm that the fixture is compatible with your supply voltage and dimming system, if present.
- LEDs are highly sensitive electronic devices, and must be treated with care. Do not open any factory sealed compartments, and avoid touching the LEDs with your hands or any object.
- Although all our fixtures are equipped with protective devices, LED fixtures are vulnerable to power surges and supply variations. Do not install LED fixtures on the same circuit as any motors, appliances, or HVAC systems.
- Do not remove or bypass any LED Driver or Transformer that is provided with the fixture, and do not replace or substitute with another power supply.
- Remote LED Driver or Transformer installation must be done by a licensed electrician and in accordance with local codes. Remote installations should be in an accessible location, as close to the fixture as possible.
- Fixtures must be wired in parallel on independent leads; do not "daisy chain" multiple fixtures together or wire them in series.
- All factory-made splices and connections must remain intact. LED circuits are carefully designed and built, and improper connections may damage the fixture.
- The ends of coaxial pendant cords have been precisely stripped and split at the factory and must not be field cut. Excess cord or cable should be neatly coiled and reserved in the fixture canopy.
- Any mounting hardware is provided for your convenience and should be used with discretion. Always use the appropriate hardware for the mounting surface.

December 6, 2016

# Assembly Instructions

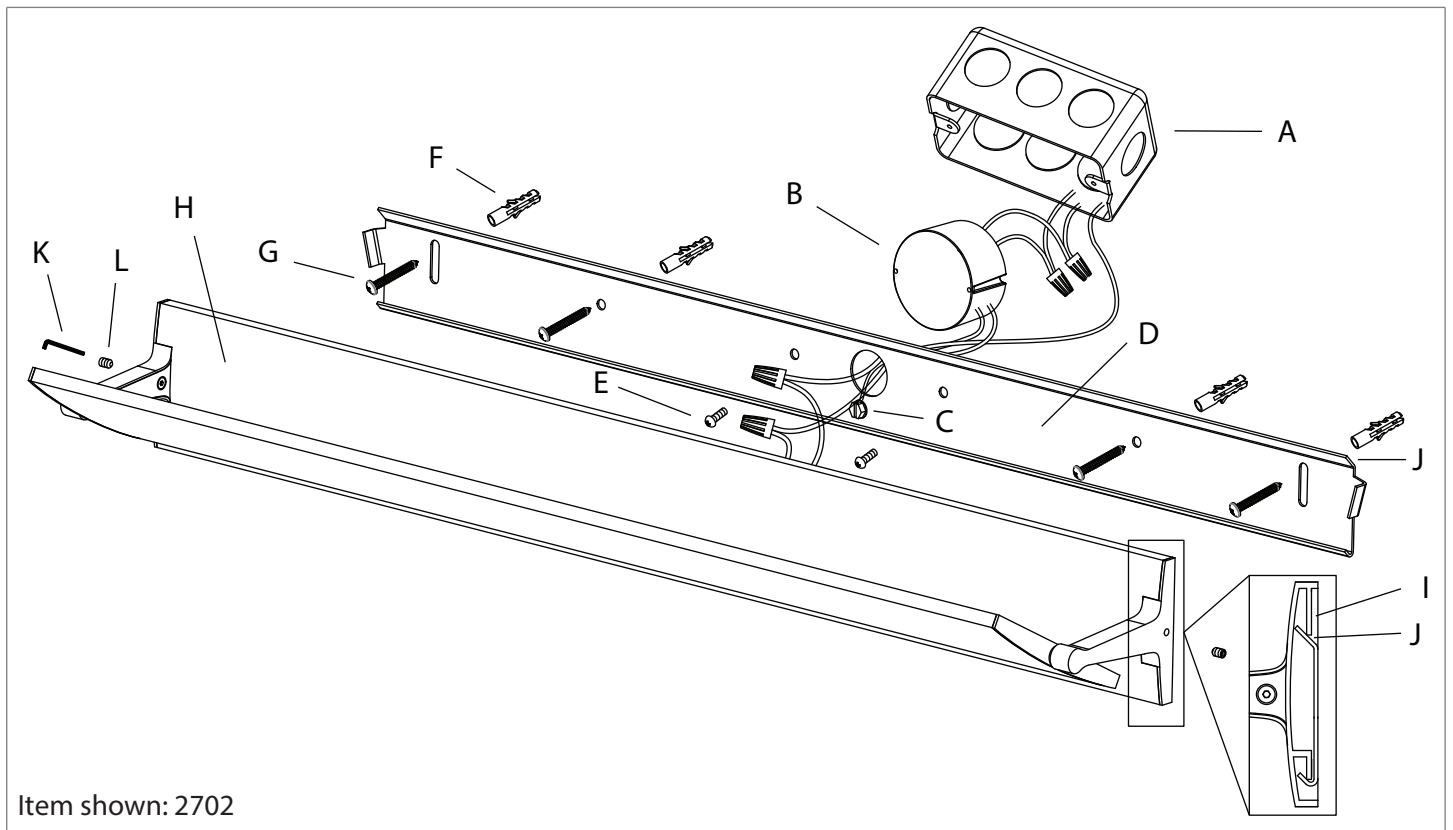
2700, 2702, 2704

## INSTRUCTIONS D'INSTALLATION

Aileron Series - 12" LED Sconce, 24" LED Sconce, 36" LED Sconce

### Important

- Always disconnect the power before installing or replacing bulbs and before cleaning or other maintenance.
- Consult a qualified, licensed electrician to ensure correct branch circuit conductor.  
*Consulter un électricien qualifié pour vous assurer que les conducteurs de la dérivation sont adéquats.*



Item shown: 2702

### Standard 2" Gem Box Mounting Version:

1. Shut off power to the outlet box (A).
2. Make appropriate electrical connections using wire nuts:
  - a. Connect the LED driver's (B) live wire (black) to the live supply wire.
  - b. Connect the LED driver's neutral wire (white) to the neutral supply wire.
  - c. Using the green screw (C) connect the ground supply wire to the mounting plate (D).
  - d. Carefully place connections and LED driver (B) in outlet box (A).
3. Attach the mounting plate (D) to the outlet box (A), secure with outlet box screws (E).  
Use anchors (F) and wood screws (G) for extra support (included).
4. Install the back plate (H) to the mounting plate (D) by hooking the tab (I) in the back plate onto the bend (J) on the mounting plate.  
Use the Allen key (K) to tighten the set screws (L) to secure.
5. Restore power to the fixture.

### Note

- 2700, 2702: This fixture is dimmable with Electronic Low Voltage (Trailing-Edge) and Incandescent (Leading-Edge) type dimmers only. For best performance, use an Electronic Low Voltage dimmer.
- 2704: This fixture is dimmable with Electronic Low Voltage (Trailing-Edge), Incandescent (Leading-Edge), and 0-10V type dimmers only.

### Care Instructions

- **Dusting:** Use a clean, dry cloth.
- **Cleaning:** To protect the finish, avoid any harsh abrasives or chemicals.

December 6, 2016

## Assembly Instructions

### INSTRUCTIONS D'INSTALLATION

Aileron Series - 12" LED Sconce, 24" LED Sconce, 36" LED Sconce  
with Optional Mounting Rails for 4" Octagon Box

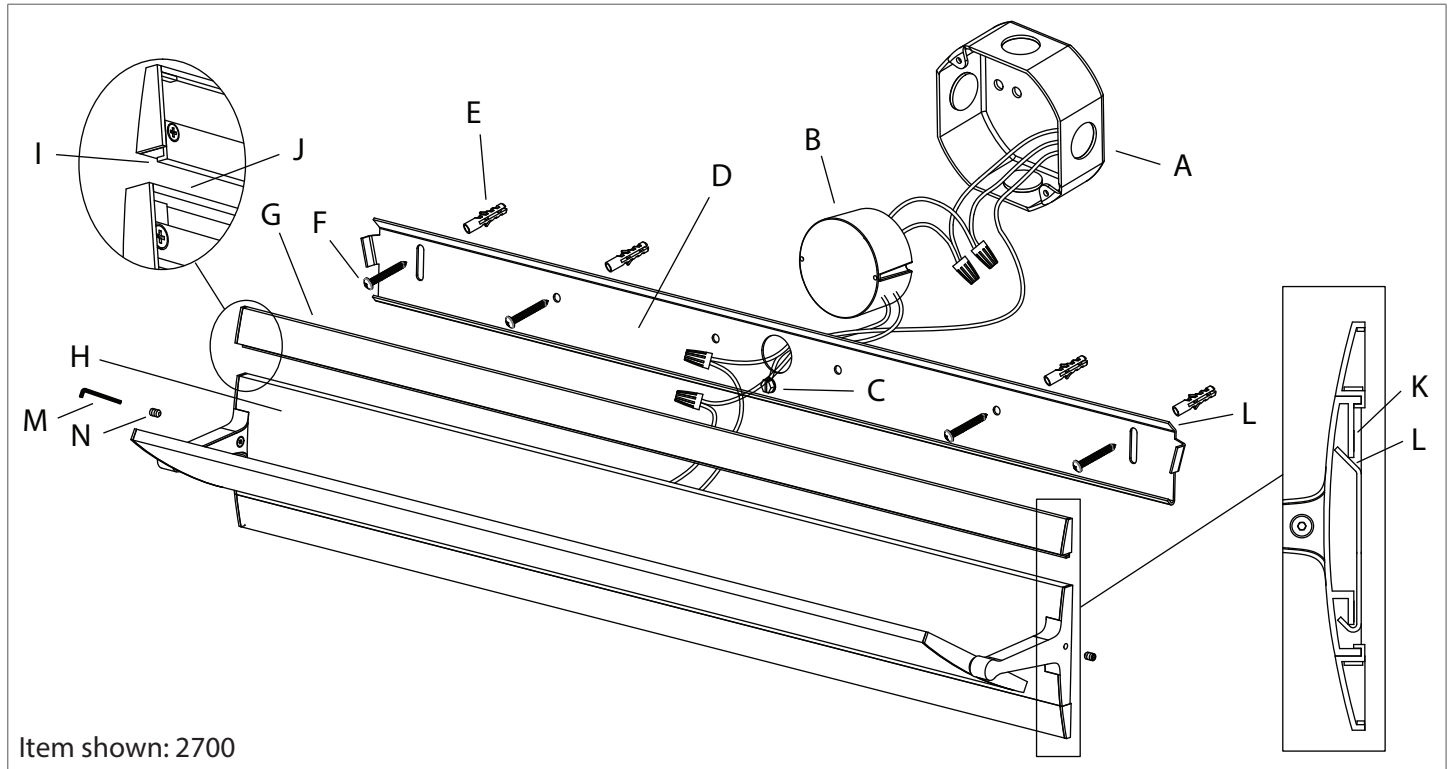
**2700 + MRK.2700**

**2702 + MRK.2702**

**2704 + MRK.2704**

### Important

- Always disconnect the power before installing or replacing bulbs and before cleaning or other maintenance.
  - Consult a qualified, licensed electrician to ensure correct branch circuit conductor.
- Consulter un électricien qualifié pour vous assurer que les conducteurs de la dérivation sont adéquats.*



Item shown: 2700

### Optional 4" Octagon Box Mounting Version:

1. Shut off power to the outlet box (A).
2. Make appropriate electrical connections using wire nuts:
  - a. Connect the LED driver's (B) live wire (black) to the live supply wire.
  - b. Connect the LED driver's neutral wire (white) to the neutral supply wire.
  - c. Using the green screw (C) connect the ground supply wire to the mounting plate (D).
  - d. Carefully place connections and LED driver (B) in outlet box (A).
3. Attach the mounting plate (D) to the wall using anchors (E) and wood screws (F), so it is centered over the outlet box (A).
4. Install the rails (G) to the back plate (H) by hooking the groove (I) onto the edge (J) of the back plate.
5. Install the back plate (H) to the mounting plate (D) by hooking the tab (K) in the back plate onto the bend (L) on the mounting plate.  
Use the Allen key (M) to tighten the set screws (N) to secure.
6. Restore power to the fixture.

### Note

- 2700, 2702: This fixture is dimmable with Electronic Low Voltage (Trailing-Edge) and Incandescent (Leading-Edge) type dimmers only. For best performance, use an Electronic Low Voltage dimmer.
- 2704: This fixture is dimmable with Electronic Low Voltage (Trailing-Edge), Incandescent (Leading-Edge), and 0-10V type dimmers only.

### Care Instructions

- **Dusting:** Use a clean, dry cloth.
- **Cleaning:** To protect the finish, avoid any harsh abrasives or chemicals.