

Safety Precautions

- Read all safety precautions and installation instructions carefully before installing or servicing this fixture. Failure to comply with these instructions could result in potentially fatal electric shock and/or property damage.
- It is recommended that a qualified electrician perform all wiring. This fixture must be wired in accordance with all national and local electrical codes.
- Do not handle any energized fixture or attempt to energize any fixture with wet hands or while standing on a wet or damp surface or in water.
- This fixture is designed for use in a 120VAC, 60Hz fused circuit. The fixture is not compatible with dimmers.
- Make sure that the power source conforms to the requirements of the fixture. (See labels on the fixture housing).
- To reduce the risk of electrical shock, and to assure proper operation, this fixture must be adequately grounded. To accomplish proper grounding, there must be a separate ground wire (green) contact between this fixture and the ground connection of your main power supply panel.
- This fixture is intended to be used for general indoor lighting in dry or damp locations.

Assembly Instructions

Step 1 – Preparing for Installation (Fig 1)

- Disconnect electrical power at the fuse or circuit breaker box before installing or servicing any part of this fixture.
- Carefully remove the fixture and parts bag from carton.
- Remove components from the part bag.
- Remove the mounting bracket (1) from the canopy (4) by removing two finials (6).
- Install the mounting bracket the junction box (not included) in ceiling using two screws (2) to secure it.

View shown for reference only. Individual models may vary.

Step 2 – Assembling Fixture (Fig 1 & 2)

- Aircraft cables (9) has been pre-assembled from factory. To adjust by pressing the "Spring Pin" (14) to make adjustment. Repeat these steps for the other cables. **Note: 108" long adjustable aircraft wires provided.**
- Power wires have been pre-assembled through the stem kit from factory. The remaining ends will need to be assembled to the fixture (11). **Note: 36" total length provided. Stems consist of 2x 6" and 2x12" long. Consult factory for additional stem if longer stem is required (sold separately).**
- Before cutting the wires, measure the desired wire length for pendant mounting. Tighten all stems to secure the fixture to the canopy. **Note: 108" cable length provided. Refer to Step 3 C.**
- Connect all stems (7) together and to the swivel (5) and lower nipple (12) by turning clockwise to secure it.

Wiring – All wiring must take place inside the junction box (not included)

Caution: Make sure power is off at the fuse or circuit breaker box. Check power wires for damage or scrapes. Use a wire suitable for at least 90°C (194°F). **Note:** Most dwellings built before 1985 have supply wire rated to 60°C. Consult a qualified electrician to ensure correct branch circuit conductor before installing.

Step 3 – Wiring Fixture

- Make all wire connections to appropriate wire. Secure with wire nuts (provided).
- Connect the green wire from the fixture to the supply power source ground wire.
- For NEC (National Electrical Code) requirements, cut the wire about 7" above the canopy (4) and then strip 3/8" from the ends of the four color coded wires.
- Connect the white wire from the fixture to the white (N) wire from supply power source.
- Connect the black wire from the fixture to the black (L) wire from supply power source.
- Do not mix wires.** Pull on each wire lead to make sure connections are secure. Make certain no bare wires are exposed outside of wire connectors. Tuck all connections neatly into junction box.

Step 4 – Mounting and Adjusting Fixture Height

- Line up the two holes in the canopy (4) with the two screws in the mounting bracket (1). Secure fixture to screws (3) with two finials (6).
- Adjust the aircraft cables up and down by pressing the "Spring Pin" (14) upward and holding until the proper cable length is attained.
- Repeat Step A for the other two cables. **Note: Extra cable length should be looped, tied, or cut to minimize risk of electrical shorting.**

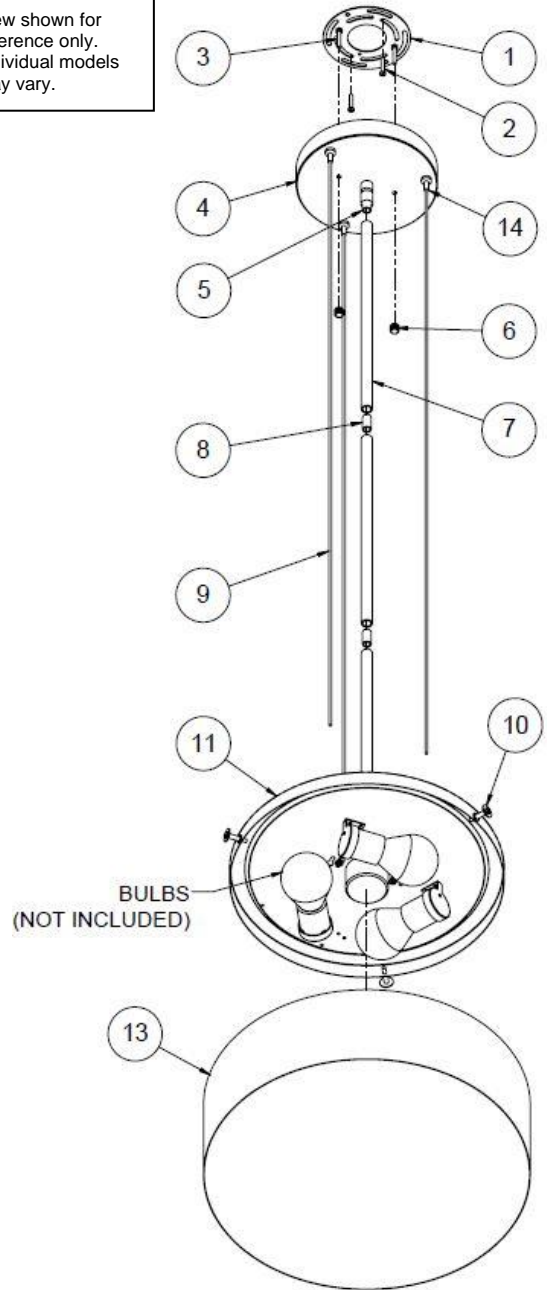
Step 5 – Lamping (not included)

- Install A19 (E26) base type lamp under 60W max rating into socket and twist clockwise rotation until securely snug. Repeat until all lamps are installed.

Step 6 – Mounting Diffuser (Fig 2)

- The diffuser (13) has three notches in its upper flange. Align these large notches with the shade mounting support (10) on the outside of the fixture (11), and push the diffuser up slightly pass the mounting support.
- Rotate the diffuser clockwise or counterclockwise until the mounting support (10) rest within each diffuser slot. **Note:** all 3 mounting supports must be inside the shade slot.
- Twist slightly to ensure proper engagement.

Step 7 – Power can now be restored to the fixture



View shown for reference only. Individual models may vary.

FIG 1

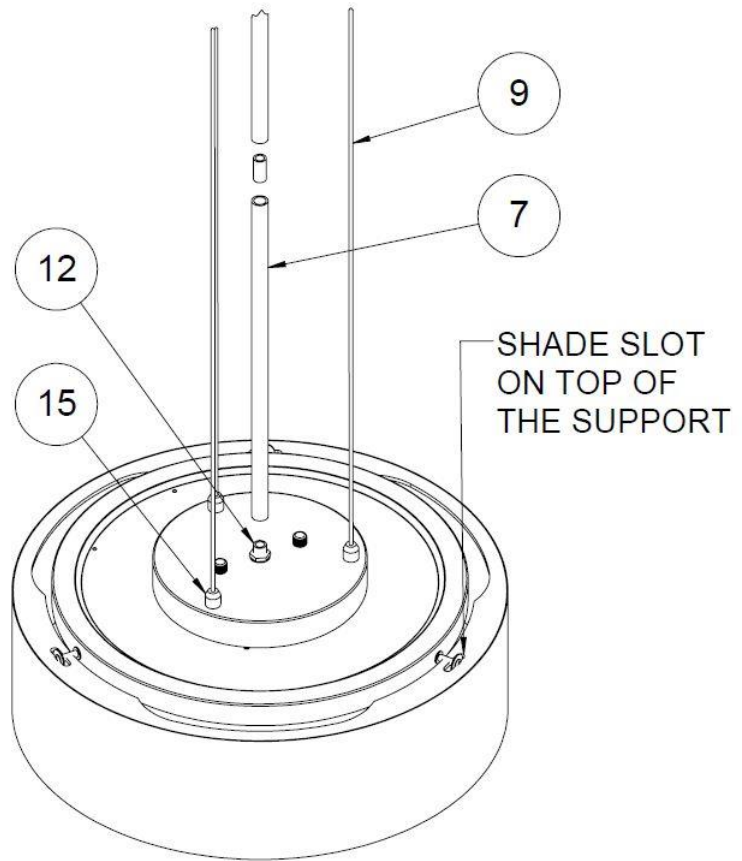


FIG 2

Your shades may look different from the illustrations shown.

Limited Factory Warranty

AFX Inc. hereby warranty that this fixture is free from defects in materials and workmanship when installed and used under normal operating conditions for a period of 5 years from date of purchase. This warranty covers all component parts and extends only to replacement of defective fixture or components; it does not cover failure due to improper installation, misuse, mishandling or damage incurred in transit.