

INSTALLATION INSTRUCTION

Aether 3.5" Shallow Recessed Housing and Trims

WAC LIGHTING
Responsible Lighting®

HR-3LED-H17A

SAFETY INSTRUCTION

IMPORTANT: NEVER attempt any work without shutting off the electricity.

- Read all instructions before installing.
- System is intended for installation by a qualified electrician in accordance with the National Electrical Code and local regulations.
- Place the wall switch in the "OFF" position.
- Go to the main fuse box, or circuit breaker. Unscrew the fuse(s) or switch "OFF" the circuit breaker switch(es) that control the power to the space that you are working on.

CAUTION:

All parts must be used as indicated in these instructions. Do not substitute any parts, leave parts out, or use any parts that are worn out or broken. Failure to follow this instruction could invalidate the ETL/cETL listing of this fixture.

AVERTISSEMENT

IMPORTANT : COUPEZ L'ÉLECTRICITÉ AVANT TOUTE MANIPULATION.

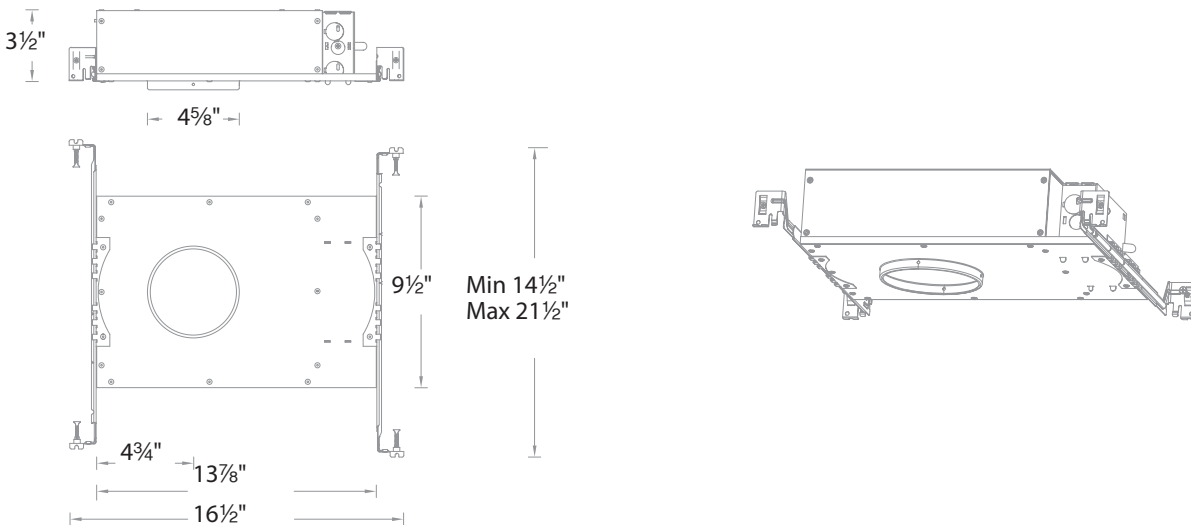
- Lisez toutes les instructions avant d'installer.
- Système est destiné à être installé par un électricien qualifié en conformité avec le code national de l'électricité et les règlements locaux.
- Placez l'interrupteur mural en position d'arrêt (« OFF »).
- Accédez au panneau central de disjoncteurs ou de fusibles de votre demeure et placez l'interrupteur principal en position d'arrêt (« OFF »).

MISE EN GARDE

Toutes les pièces doivent être utilisées tel qu'il est indiqué dans ces instructions. Ne remplacez pas les pièces, n'en laissez pas de côté et ne les utilisez pas si elles sont usées ou brisées. Le non-respect de ces instructions peut annuler l'homologation ETL/cETL du luminaire.

OVERVIEW:

Housing is new construction IC, AIRTIGHT. Housing requires a trim for finished look. Check catalog for compatible trims choices



WAC Lighting
www.waclighting.com
Phone (800) 526.2588 • Fax (800) 526.2585

Headquarters/Eastern Distribution Center
44 Harbor Park Drive • Port Washington, NY 11050
Phone (516) 515.5000 • Fax (516) 515.5050

Western Distribution Center
1750 Archibald Ave • Ontario, CA 91761
Phone (800) 526.2588 • Fax (800) 526.2585

INSTALLATION INSTRUCTION

Aether 3.5" Shallow Recessed Housing and Trims

WAC LIGHTING
Responsible Lighting®

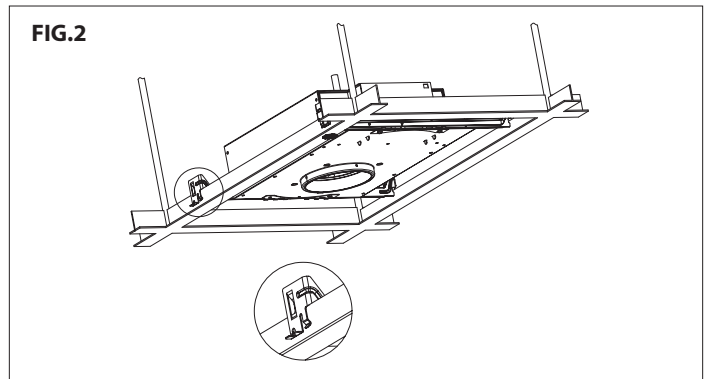
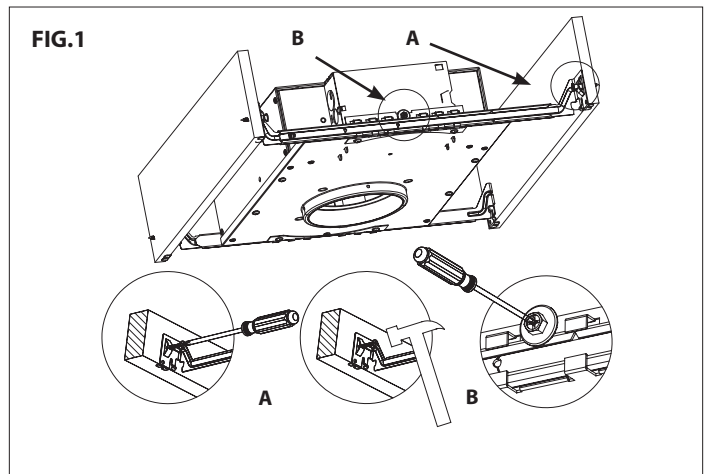
HR-3LED-H17A

HOUSING INSTALLATION:

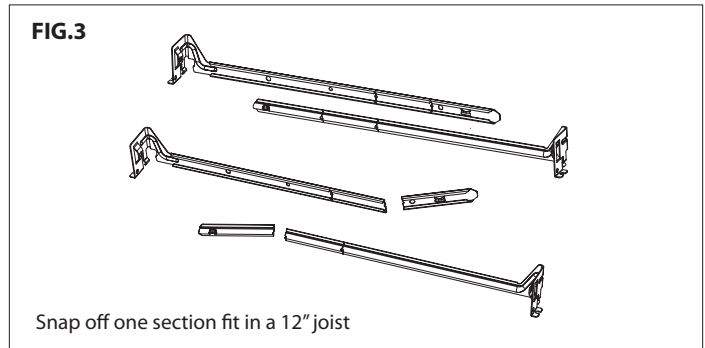
1. Install housing using two hanger bars provided, align the bottom of the hanger bar with the bottom of the joist, secure the "screw-nail" on each end by screw-driver or by hammer (See FIG.1 detail A).

Slide fixture along hanger bar into desired location, use locking screws to secure (See FIG.1 detail B).

For grid installation, hanger bars are supported on grids. (See FIG.2)



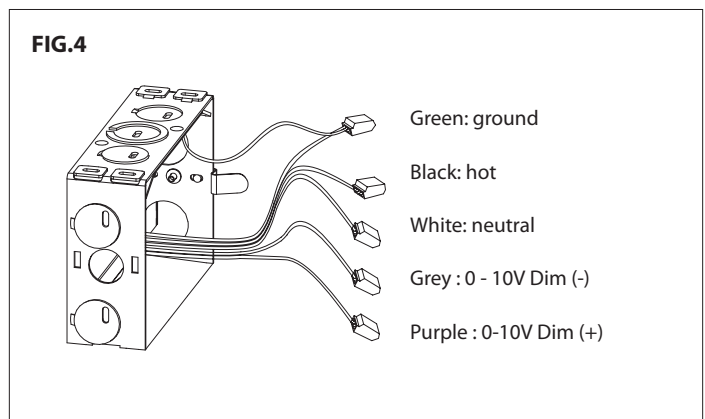
2. To shorten hanger bars to fit in a 12" joist, snap off one section of the hanger bars (See FIG.3).



3. Remove spring latched junction box cover and connect fixture wires to building wires: insert each supply wire into appropriate junction box connector. Connect black fixture wire to hot, white fixture wire to neutral, green fixture wire to ground, grey fixture wire to Dim (-) and purple fixture wire to Dim (+) (See FIG.4).

To utilize ELV, wire black (line hot) and white (line neutral) in accordance to dimmer specifications. To utilize 0-10V dimming, wire purple (dim+), gray (dim-), black (line hot), and white (line neutral) in accordance to dimmer specifications. When not using a dimmer, connect black fixture wire to hot, white fixture wire to neutral and green fixture wire to ground. Leave all other wires capped individually. Place all wiring and connectors back in junction box and replace the junction box's cover.

Place all wiring and connectors back in junction box and replace the junction box's cover.



WAC Lighting
www.waclighting.com
Phone (800) 526.2588 • Fax (800) 526.2585

Headquarters/Eastern Distribution Center
44 Harbor Park Drive • Port Washington, NY 11050
Phone (516) 515.5000 • Fax (516) 515.5050

Western Distribution Center
1750 Archibald Ave • Ontario, CA 91761
Phone (800) 526.2588 • Fax (800) 526.2585

INSTALLATION INSTRUCTION

Aether 3.5" Shallow Recessed Housing and Trims

HR-3LED-H17A

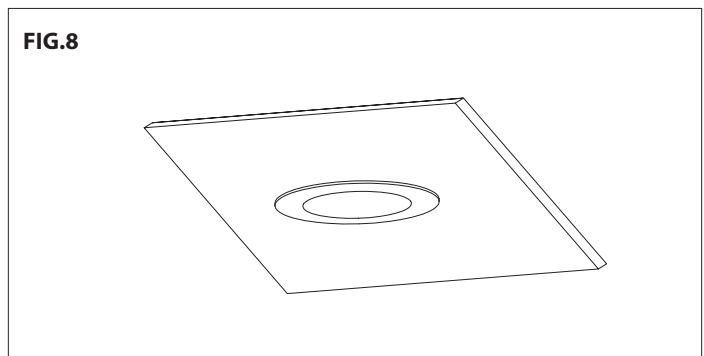
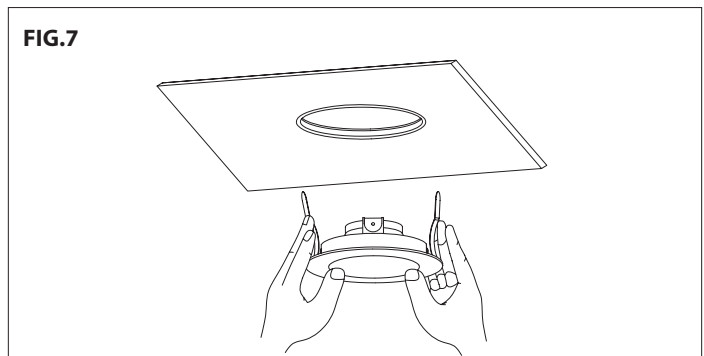
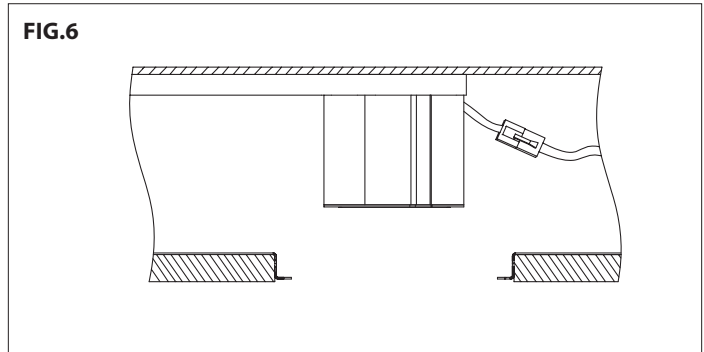
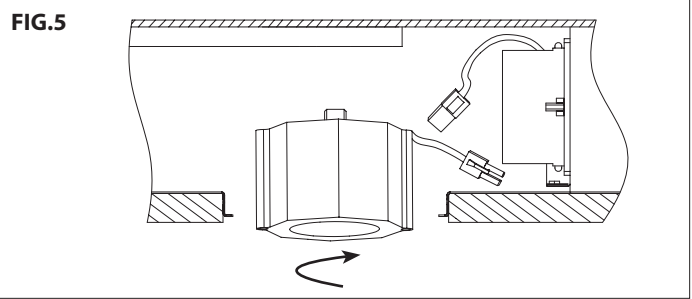
WAC LIGHTING

Responsible Lighting®

DOWNLIGHT TRIM INSTALLATION

1. When installing in drywall, cut a hole 4 5/8" in the drywall.
Note: 1 1/2" inch maximum ceiling thickness.
2. Install light engine into the housing by rotating it clockwise onto stud (**Fig.5**)
Connect light engine and housing power connectors (**Fig.6**).

3. Raise the trim to housing, depress trim spring clips and push the trim assembly up until the trim ring is flush to the ceiling (See **FIG.7** and **FIG.8**).



INSTALLATION INSTRUCTION

Aether 3.5" Shallow Recessed Housing and Trims

WAC LIGHTING
Responsible Lighting®

HR-3LED-H17A

DOWNLIGHT INVISIBLE TRIM INSTALLATION

1. When installing in drywall, cut a hole 4 5/8" in the drywall.
Note: 1 1/2" inch maximum ceiling thickness.
2. Raise the invisible trim frame aligning tab to slot in housing, and put plaster shield inside (See **FIG.9**).
3. Secure the invisible trim frame to the housing, flush up against the ceiling using the screws supplied (See **FIG.10**).
4. Apply plaster or spackle over Invisible frame and sand surface when dry for a finished look (See **FIG.11**).
5. Remove the plaster cover when finishing is completed (See **FIG.12**).
6. Install light engine into the housing by rotating it clockwise onto stud (**Fig.13**)
Connect light engine and housing power connectors (**Fig.14**).
7. Raise the invisible trim assembly up to trim frame until the trim ring is flush to the trim frame (See **FIG.15**).

FIG.9

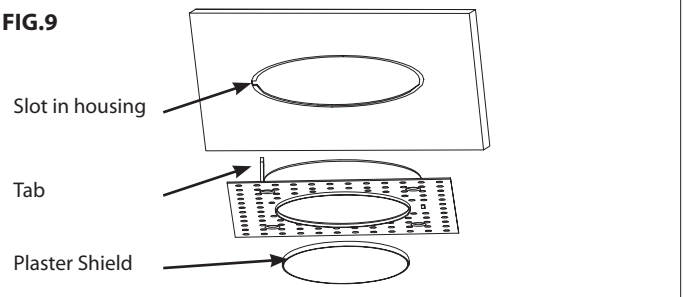


FIG.10

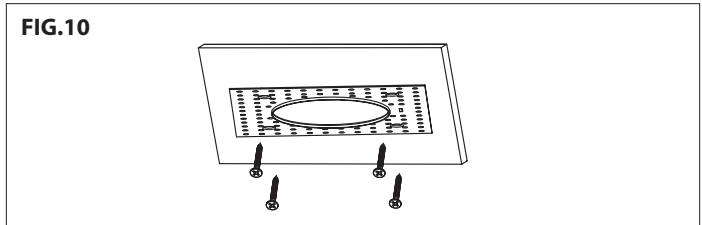


FIG.11

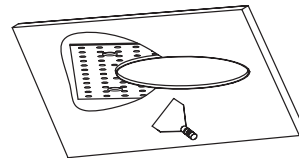
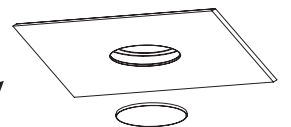


FIG.12



Remove plaster shield

FIG.13

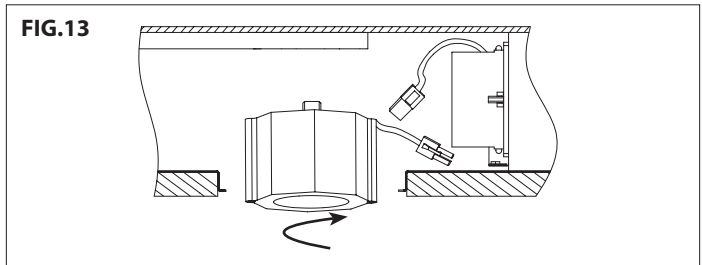


FIG.14

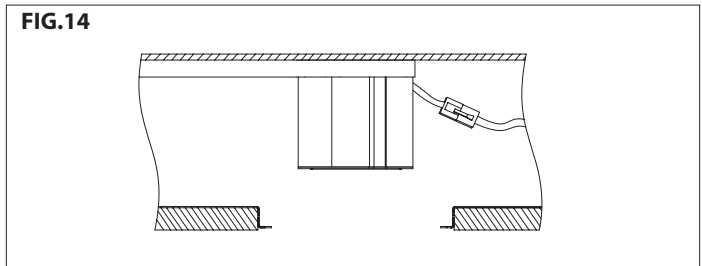
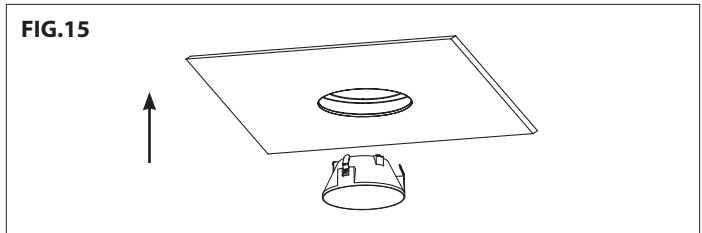


FIG.15



WAC Lighting
www.waclighting.com
Phone (800) 526.2588 • Fax (800) 526.2585

Headquarters/Eastern Distribution Center
44 Harbor Park Drive • Port Washington, NY 11050
Phone (516) 515.5000 • Fax (516) 515.5050

Western Distribution Center
1750 Archibald Ave • Ontario, CA 91761
Phone (800) 526.2588 • Fax (800) 526.2585

INSTALLATION INSTRUCTION

Aether 3.5" Shallow Recessed Housing and Trims

HR-3LED-H17A

WAC LIGHTING
Responsible Lighting®

WALL WASH TRIM INSTALLATION

1. When installing in drywall, cut a hole 4 5/8" in the drywall.
Note: 1 1/2" inch maximum ceiling thickness.
2. Raise trim to ceiling, connect the power quick connector secure safety cable to top of trim using screw provided (as **Fig.16**).
3. Push the trim assembly up inside the housing until the trim ring is flush to the ceiling (as **Fig.17** and **Fig.18**).

FIG.16

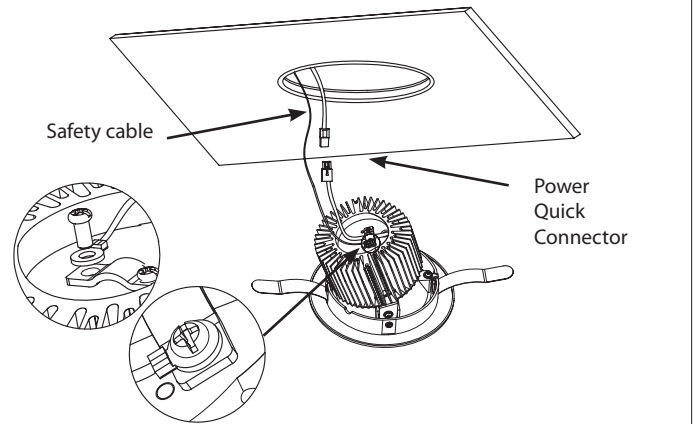


FIG.17

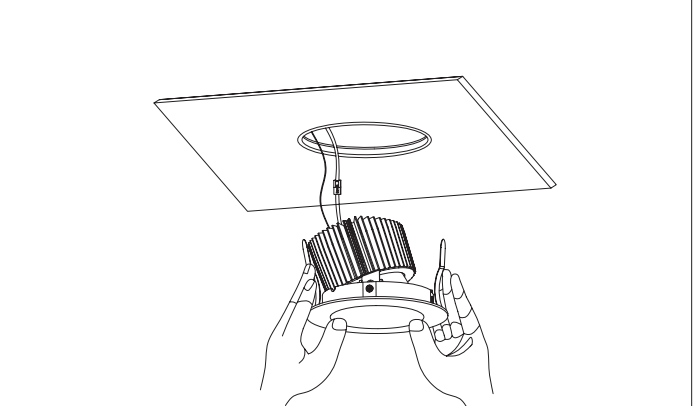
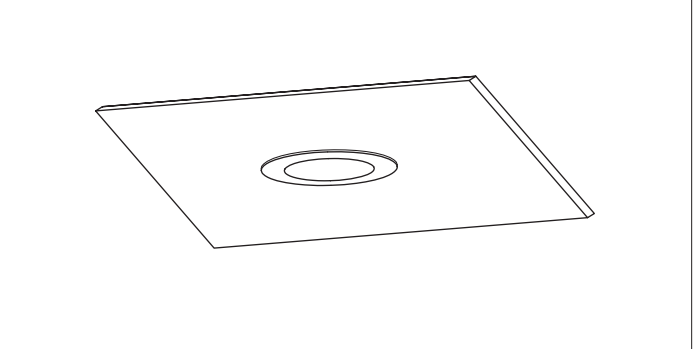


FIG.18



WAC Lighting
www.waclighting.com
Phone (800) 526.2588 • Fax (800) 526.2585

Headquarters/Eastern Distribution Center
44 Harbor Park Drive • Port Washington, NY 11050
Phone (516) 515.5000 • Fax (516) 515.5050

Western Distribution Center
1750 Archibald Ave • Ontario, CA 91761
Phone (800) 526.2588 • Fax (800) 526.2585

INSTALLATION INSTRUCTION

Aether 3.5" Shallow Recessed Housing and Trims

HR-3LED-H17A

WAC LIGHTING

Responsible Lighting®

ADJUSTABLE TRIM INSTALLATION

1. When installing in drywall, cut a hole 4 5/8" in the drywall.
Note: 1 1/2" inch maximum ceiling thickness.
2. Loosen the locking tab by rotating counter clockwise (**Fig.19**)
Adjust to desire angle (From 0° to 30°), Retighten the locking tab (**Fig.20**).
3. Raise trim to ceiling, connect the power quick connector.
Secure safety cable to top of trim using screw provided (**Fig.21**).
4. Push the trim assembly up inside the housing until the trim ring is flush to the ceiling (as **Fig.22** and **Fig.23**).

FIG.19

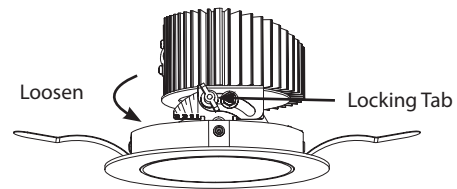


FIG.20

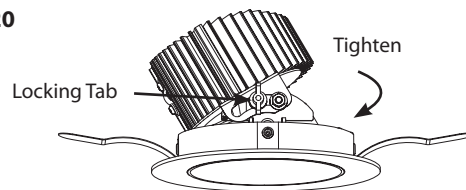


FIG.21

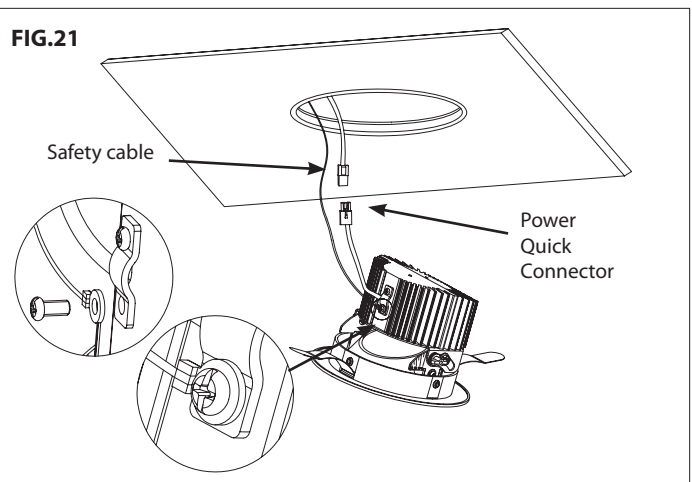


FIG.22

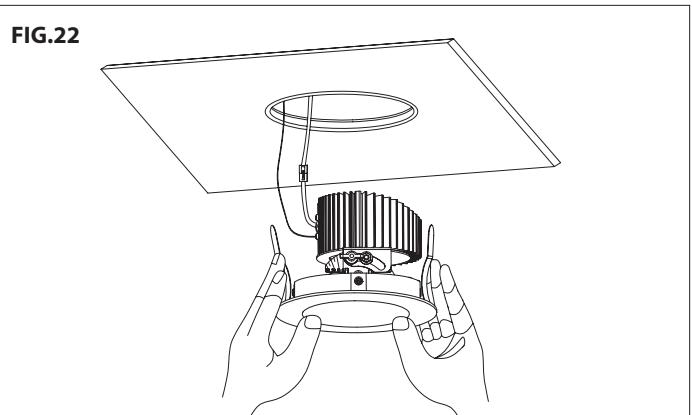
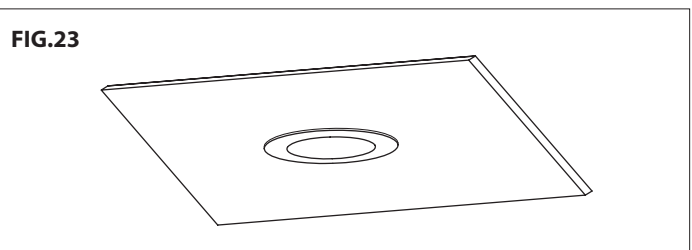


FIG.23



WAC Lighting
www.waclighting.com
Phone (800) 526.2588 • Fax (800) 526.2585

Headquarters/Eastern Distribution Center
44 Harbor Park Drive • Port Washington, NY 11050
Phone (516) 515.5000 • Fax (516) 515.5050

Western Distribution Center
1750 Archibald Ave • Ontario, CA 91761
Phone (800) 526.2588 • Fax (800) 526.2585

INSTALLATION INSTRUCTION

Aether 3.5" Shallow Recessed Housing and Trims

HR-3LED-H17A

WAC LIGHTING

Responsible Lighting®

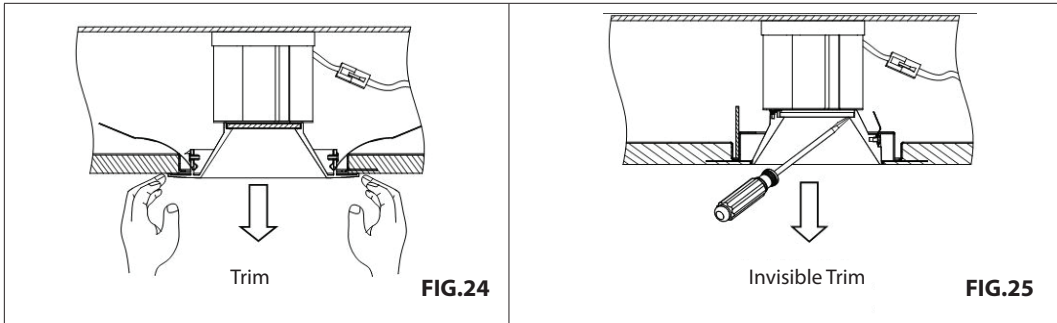
LED AND DRIVER REPLACEMENT

1. Remove the trim or invisible trim
 - a. Remove the trim or invisible trim as shown below (FIG.24 & 25).

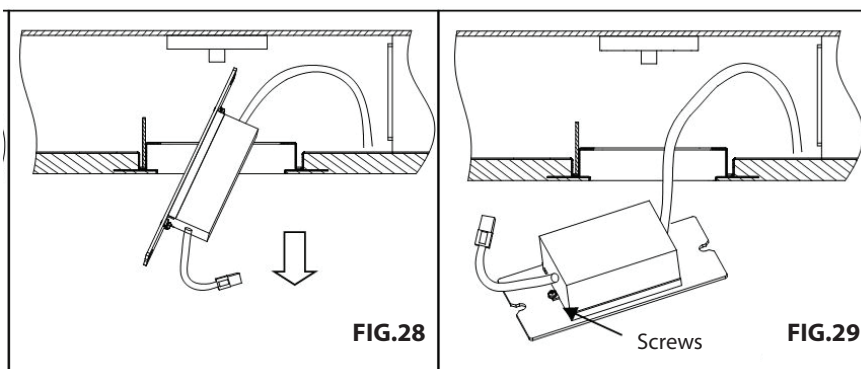
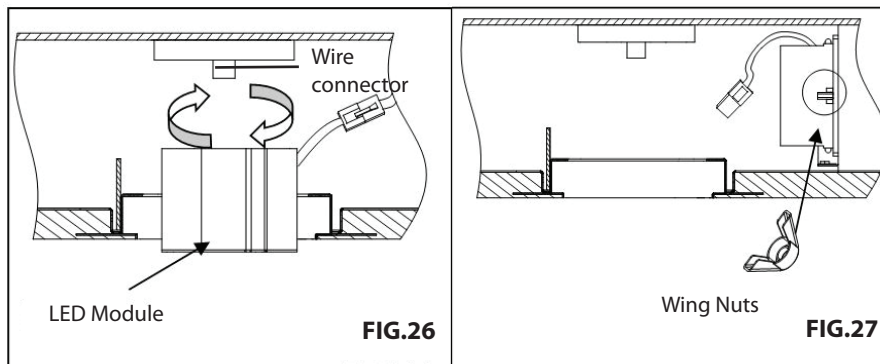
Remove the trim by pulling the trim's edge

To remove invisible trim:

Remove the invisible trim by gently prying between the invisible trim and lens



2. Replace Driver
 - a. Remove the LED module by rotating the LED module counterclockwise and pull out the LED module from housing (FIG.26), then loosen wing nuts on the side of driver (FIG.27).
 - b. Tilt driver downward and remove from housing (FIG.28).
 - c. Remove screws to replace driver with new, rewire according to code and reinstall (FIG.29).



INSTALLATION INSTRUCTION

Aether 3.5" Shallow Recessed Housing and Trims

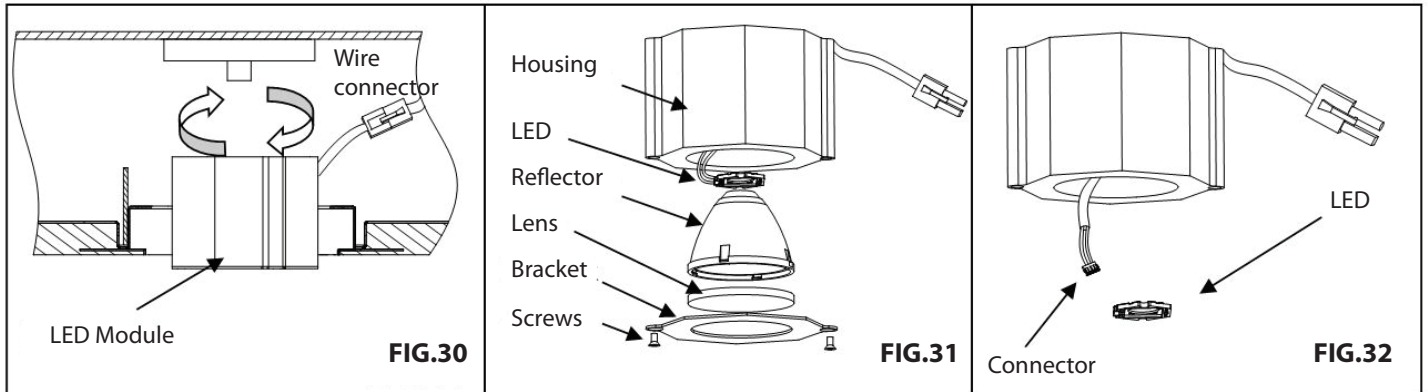
HR-3LED-H17A

WAC LIGHTING

Responsible Lighting®

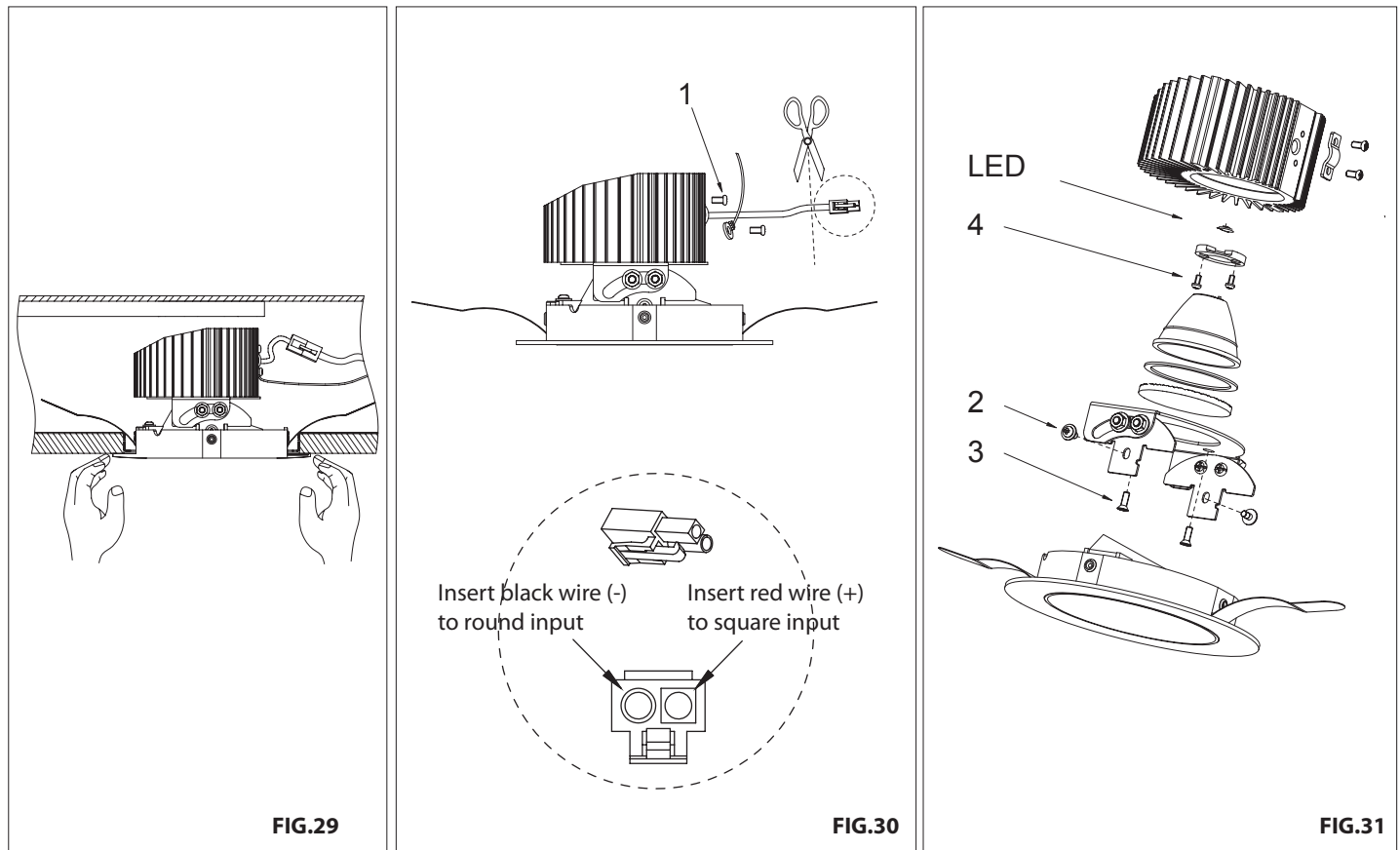
3. Replace LED (Downlight Trim)

- Disconnect wire connector, rotate the LED module counterclockwise and pull out to remove the LED module from housing (FIG.30).
- Replace the LED by unscrewing the bracket, removing lens and reflector. Then, replace the LED (FIG.31 & 32).



Replace LED (Adjustable and Wall Wash Trim)

- Remove the trim by pulling the trim's edge (FIG.29)
- Release the two screws from the light engine (FIG.30), remove the safety cable and use scissor to cut the LED input
- Follow the steps (FIG.31) by removing #2, #3 then #4 screws from the light fixture. Replace the LED module.



WAC Lighting
www.waclighting.com
Phone (800) 526.2588 • Fax (800) 526.2585

Headquarters/Eastern Distribution Center
44 Harbor Park Drive • Port Washington, NY 11050
Phone (516) 515.5000 • Fax (516) 515.5050

Western Distribution Center
1750 Archibald Ave • Ontario, CA 91761
Phone (800) 526.2588 • Fax (800) 526.2585