

# INSTALLATION INSTRUCTION

## Aether Function Remodel

HR-3LED-R20

# WAC LIGHTING

Responsible Lighting®

### SAFETY INSTRUCTION

IMPORTANT: NEVER attempt any work without shutting off the electricity.

- Read all instructions before installing.
- System is intended for installation by a qualified electrician in accordance with the National Electrical Code and local regulations.
- Place the wall switch in the "OFF" position.
- Go to the main fuse box, or circuit breaker. Unscrew the fuse(s) or switch "OFF" the circuit breaker switch(es) that control the power to the space that you are working on.

### CAUTION:

All parts must be used as indicated in these instructions. Do not substitute any parts, leave parts out, or use any parts that are worn out or broken. Failure to follow this instruction could invalidate the ETL/cETL listing of this fixture.

### AVERTISSEMENT

#### IMPORTANT : COUPEZ L'ÉLECTRICITÉ AVANT TOUTE MANIPULATION.

- Lisez toutes les instructions avant d'installer.
- Système est destiné à être installé par un électricien qualifié en conformité avec le code national de l'électricité et les règlements locaux.
- Placez l'interrupteur mural en position d'arrêt (« OFF »).
- Accédez au panneau central de disjoncteurs ou de fusibles de votre demeure et placez l'interrupteur principal en position d'arrêt (« OFF »).

### MISE EN GARDE

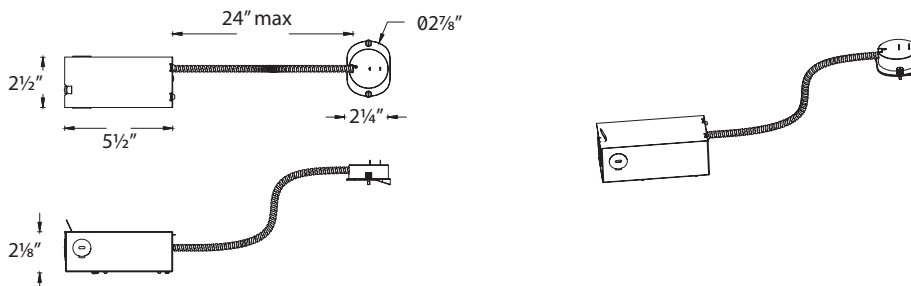
Toutes les pièces doivent être utilisées tel qu'il est indiqué dans ces instructions. Ne remplacez pas les pièces, n'en laissez pas de côté et ne les utilisez pas si elles sont usées ou brisées. Le non-respect de ces instructions peut annuler l'homologation ETL/cETL du luminaire.

### OVERVIEW:

The housing is remodel NON-IC rated, and requires a trim for functionality. Check catalog for various trim options.

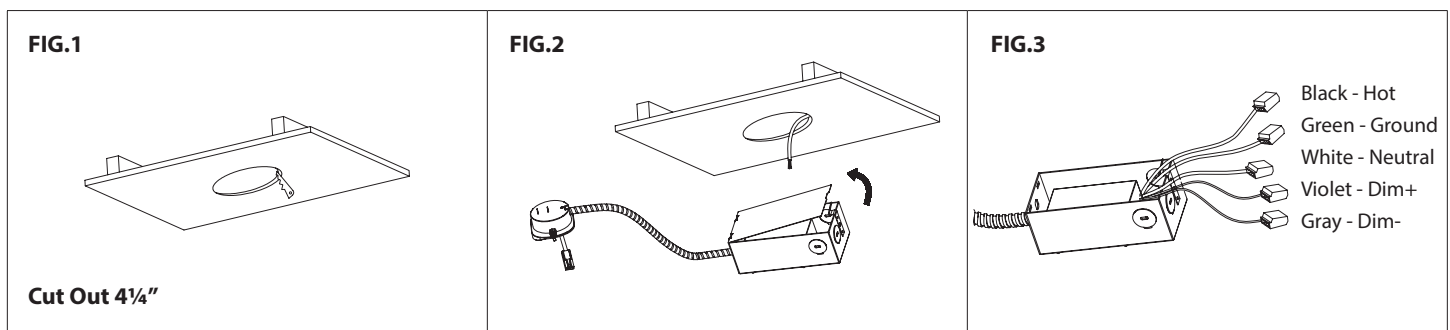
The housing and trim are recommended to be used with low voltage ELV dimmer.

\* Recommended installation distance from the wall is 18 inches



### INSTALLATION:

1. Cut out a hole 4 1/4" in the existing ceiling (Fig 1). Note: 1/2- 1 1/2 inch maximum ceiling thickness.
2. Pull the incoming building wires through the cutout hole (Fig.2).
3. Remove junction box cover and connect fixture wires to the incoming building wires. Insert each incoming wire into appropriate junction box connector. This fixture features electronic low voltage (ELV) dimming capabilities. To utilize ELV dimming function, connect black wire (line hot) and white (line neutral) in accordance to dimmer specifications. Connect green fixture wire to ground (as Fig.3). To utilize 0-10V dimming, wire purple (dim+), gray (dim-), black (line hot), white (line neutral) and green (ground) in accordance to dimmer specifications.



WAC Lighting

www.waclighting.com

Phone (800) 526.2588 • Fax (800) 526.2585

Headquarters/Eastern Distribution Center

44 Harbor Park Drive • Port Washington, NY 11050

Phone (516) 515.5000 • Fax (516) 515.5050

Western Distribution Center

1750 Archibald Ave • Ontario, CA 91761

Phone (800) 526.2588 • Fax (800) 526.2585

# INSTALLATION INSTRUCTION

## Aether Function Remodel

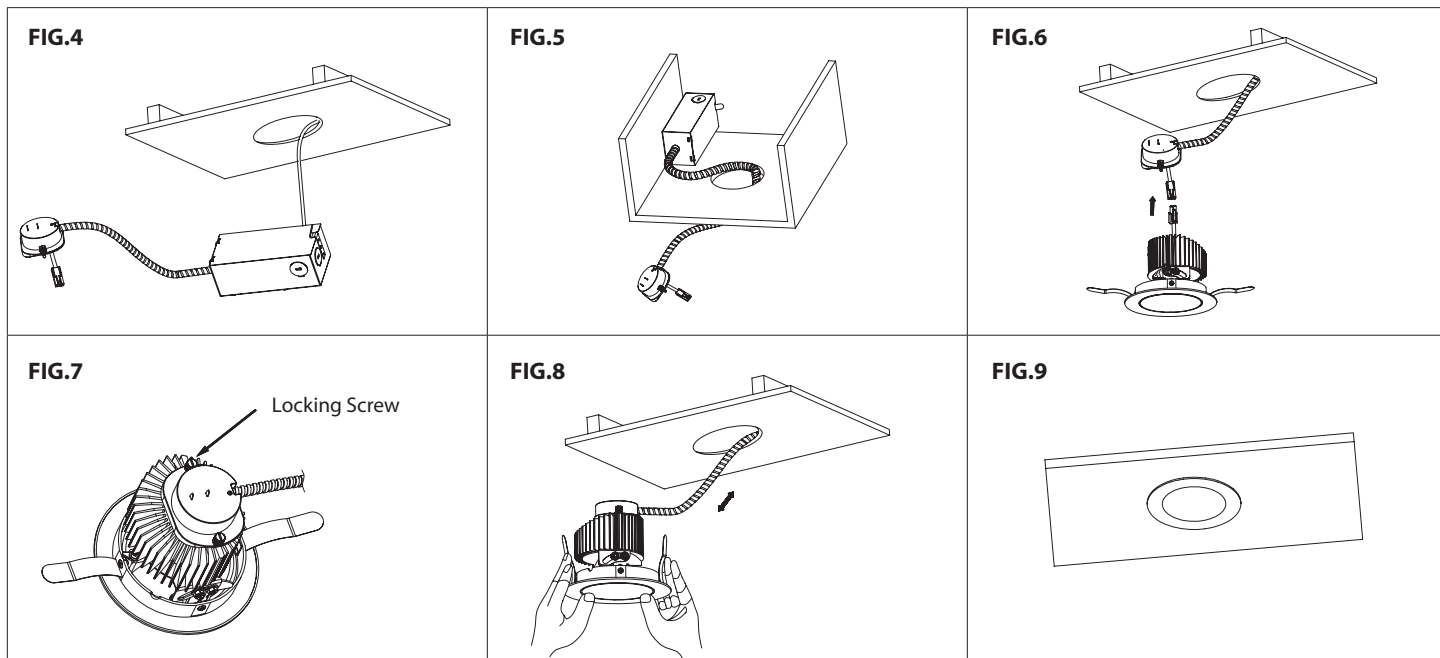
HR-3LED-R20

# WAC LIGHTING

Responsible Lighting®

### INSTALLATION:

4. Place all wires and connectors back into the wiring box and place the junction box cover back (as **Fig.4**).
5. Guide the fixture housing up through the cutout hole (**Fig.5**).
6. Raise the trim to ceiling and connect power connector. Secure tap on top of heat sink by locking screws by hand or a screwdriver (**Fig.6, 7**)



7. Press the trim spring clips inward and push the trim assembly up until the trim is flush with ceiling (**Fig.7 & Fig.8**).

### Electrical Accessory



Wire Connector

Qty: 3pcs

7EAC000253

WAC Lighting  
www.waclighting.com  
Phone (800) 526.2588 • Fax (800) 526.2585

Headquarters/Eastern Distribution Center  
44 Harbor Park Drive • Port Washington, NY 11050  
Phone (516) 515.5000 • Fax (516) 515.5050

Western Distribution Center  
1750 Archibald Ave • Ontario, CA 91761  
Phone (800) 526.2588 • Fax (800) 526.2585