

INSTALLATION INSTRUCTION

Aether 3.5" Color Tunable LED Downlight

HR-3LED-H18A-CC

WAC LIGHTING
Responsible Lighting®

SAFETY INSTRUCTION

IMPORTANT: NEVER attempt any work without shutting off the electricity.

- Read all instructions before installing.
- System is intended for installation by a qualified electrician in accordance with the National Electrical Code and local regulations.
- Place the wall switch in the "OFF" position.
- Go to the main fuse box, or circuit breaker. Unscrew the fuse(s) or switch "OFF" the circuit breaker switch(es) that control the power to the space that you are working on.

CAUTION:

All parts must be used as indicated in these instructions. Do not substitute any parts, leave parts out, or use any parts that are worn out or broken. Failure to follow this instruction could invalidate the ETL/cETL listing of this fixture.

AVERTISSEMENT

IMPORTANT : COUPEZ L'ÉLECTRICITÉ AVANT TOUTE MANIPULATION.

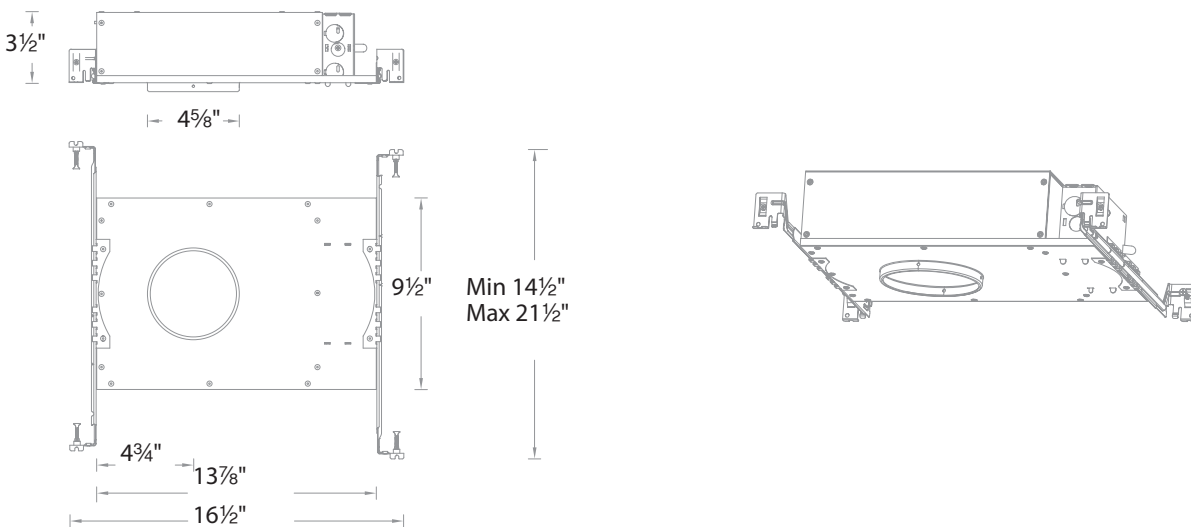
- Lisez toutes les instructions avant d'installer.
- Système est destiné à être installé par un électricien qualifié en conformité avec le code national de l'électricité et les règlements locaux.
- Placez l'interrupteur mural en position d'arrêt (« OFF »).
- Accédez au panneau central de disjoncteurs ou de fusibles de votre demeure et placez l'interrupteur principal en position d'arrêt (« OFF »).

MISE EN GARDE

Toutes les pièces doivent être utilisées tel qu'il est indiqué dans ces instructions. Ne remplacez pas les pièces, n'en laissez pas de côté et ne les utilisez pas si elles sont usées ou brisées. Le non-respect de ces instructions peut annuler l'homologation ETL/cETL du luminaire.

OVERVIEW:

Housing is new construction IC, AIRTIGHT. Housing requires a trim for finished look. Check catalog for compatible trims choices



ELECTRICAL ACCESSORY



Wire Connector
Qty: 4pcs
7EAC000253

WAC Lighting
www.waclighting.com
Phone (800) 526.2588 • Fax (800) 526.2585

Headquarters/Eastern Distribution Center
44 Harbor Park Drive • Port Washington, NY 11050
Phone (516) 515.5000 • Fax (516) 515.5050

Western Distribution Center
1750 Archibald Ave • Ontario, CA 91761
Phone (800) 526.2588 • Fax (800) 526.2585

INSTALLATION INSTRUCTION

Aether 3.5" Color Tunable LED Downlight

HR-3LED-H18A-CC

WAC LIGHTING
Responsible Lighting®

HOUSING INSTALLATION:

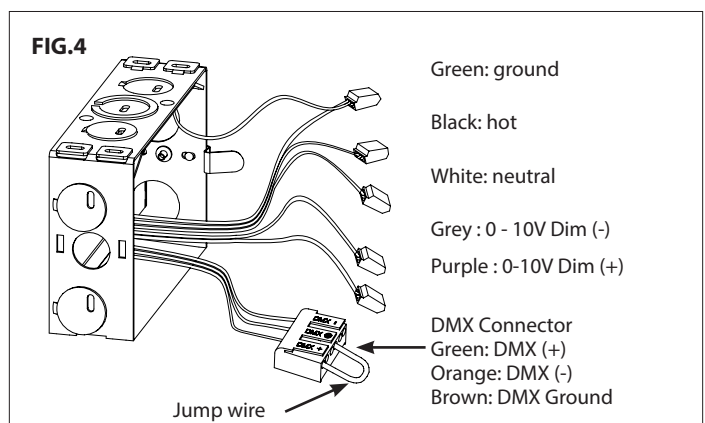
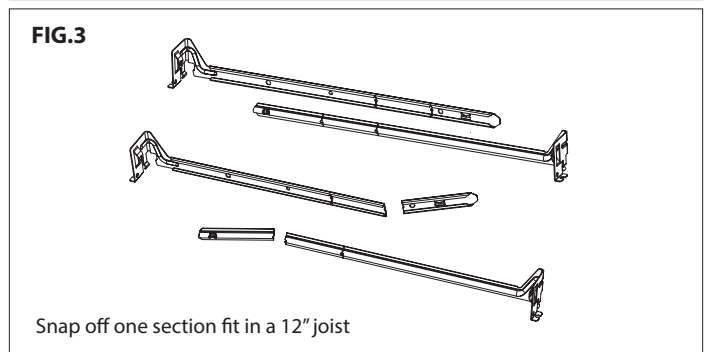
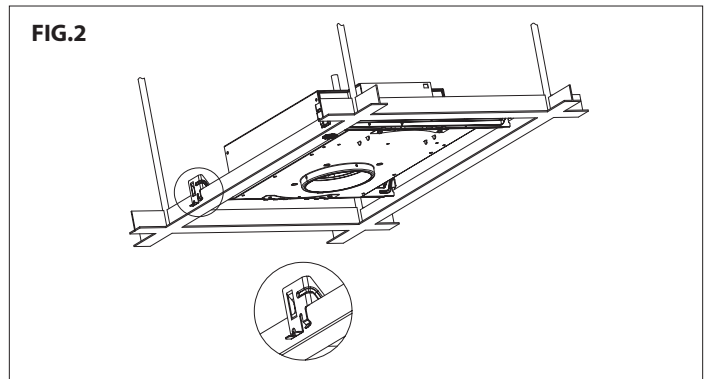
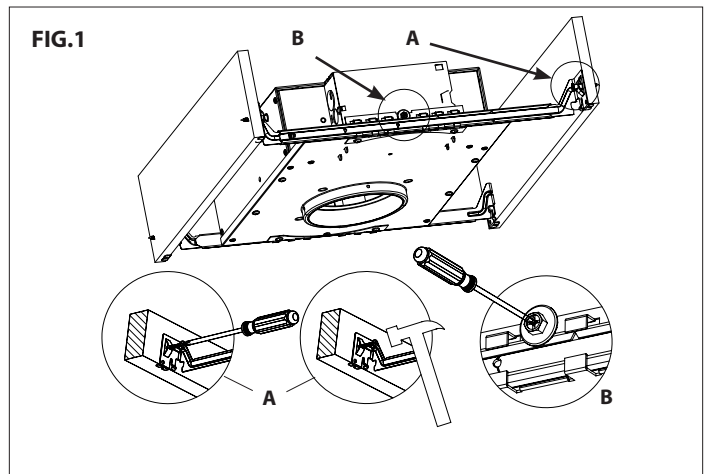
1. Install housing using two hanger bars provided, align the bottom of the hanger bar with the bottom of the joist, secure the "screw-nail" on each end by screw-driver or by hammer (See FIG.1 detail A).

Slide fixture along hanger bar into desired location, use locking screws to secure (See FIG.1 detail B).

For grid installation, hanger bars are supported on grids. (See FIG.2)

2. To shorten hanger bars to fit in a 12" joist, snap off one section of the hanger bars (See FIG.3).

3. Remove spring latched junction box cover and connect fixture wires to building wires: insert each supply wire into appropriate junction box connector. Connect black fixture wire to hot, white fixture wire to neutral, green fixture wire to ground, grey fixture wire to Dim (-), purple fixture wire to Dim (+), DMX fixture wires to DMX controller (See FIG.4).



WAC Lighting
www.waclighting.com
Phone (800) 526.2588 • Fax (800) 526.2585

Headquarters/Eastern Distribution Center
44 Harbor Park Drive • Port Washington, NY 11050
Phone (516) 515.5000 • Fax (516) 515.5050

Western Distribution Center
1750 Archibald Ave • Ontario, CA 91761
Phone (800) 526.2588 • Fax (800) 526.2585

INSTALLATION INSTRUCTION

Aether 3.5" Color Tunable LED Downlight

HR-3LED-H18A-CC

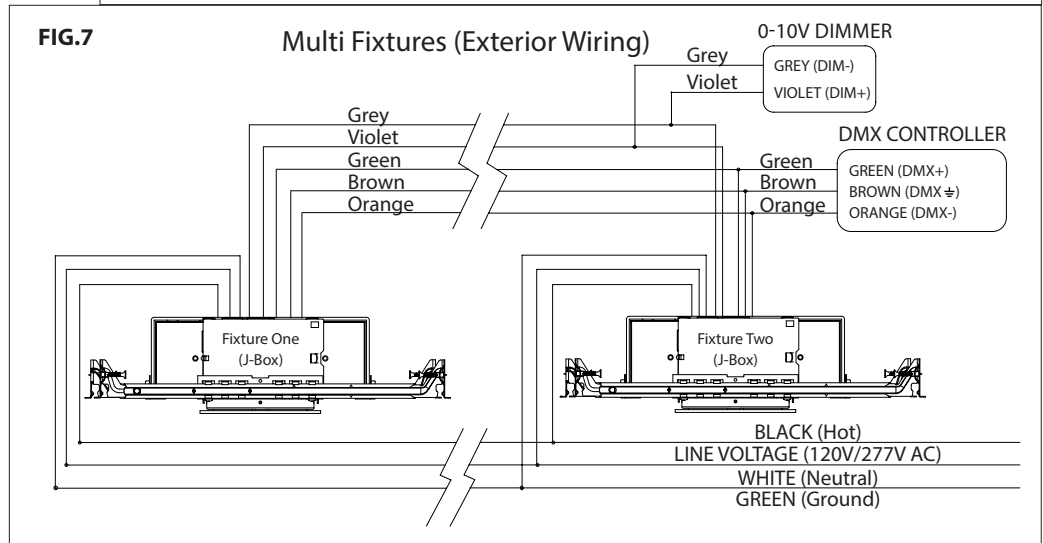
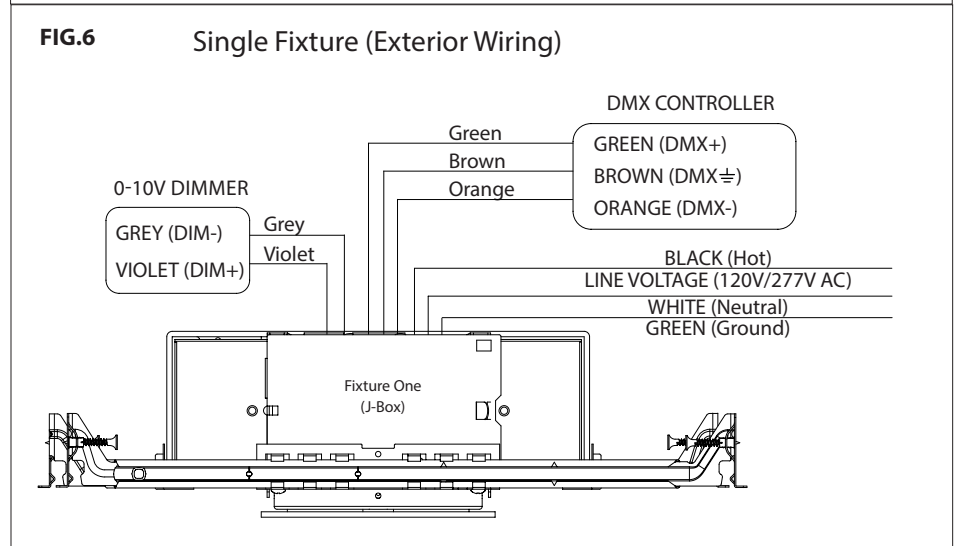
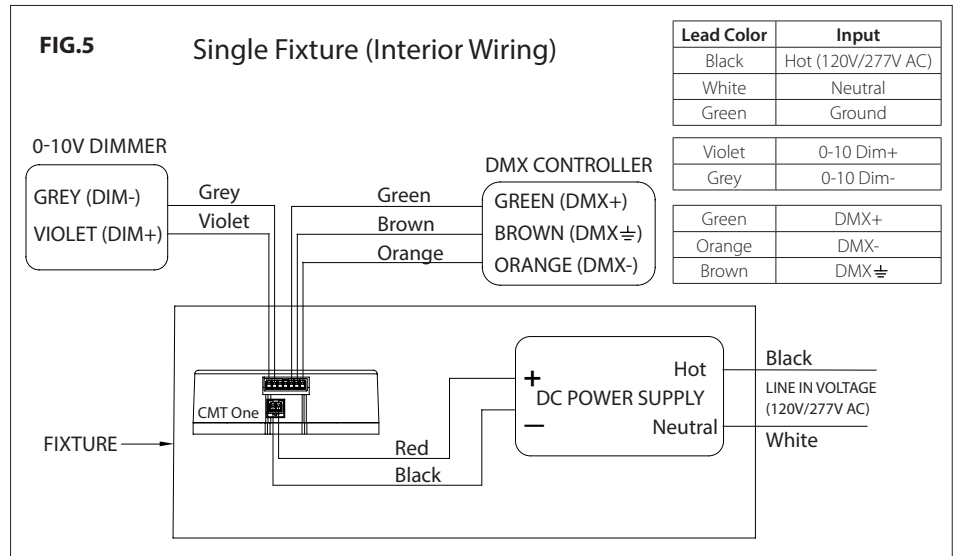
WAC LIGHTING

Responsible Lighting®

To utilize DMX, remove the jump wire then connect DMX wire. For the single fixture, do the wiring according to the related wiring diagrams (See **FIG.5 & 6**). For multiple fixtures, do the wiring according to the related wiring diagrams (See **FIG.5 & 7**).

When not using a dimmer and DMX, connect black fixture wire to hot, white fixture wire to neutral and green fixture wire to ground. Leave all other wires capped individually.

Place all wiring and connectors back in junction box and replace the junction box's cover.



WAC Lighting
 www.waclighting.com
 Phone (800) 526.2588 • Fax (800) 526.2585

Headquarters/Eastern Distribution Center
 44 Harbor Park Drive • Port Washington, NY 11050
 Phone (516) 515.5000 • Fax (516) 515.5050

Western Distribution Center
 1750 Archibald Ave • Ontario, CA 91761
 Phone (800) 526.2588 • Fax (800) 526.2585

INSTALLATION INSTRUCTION

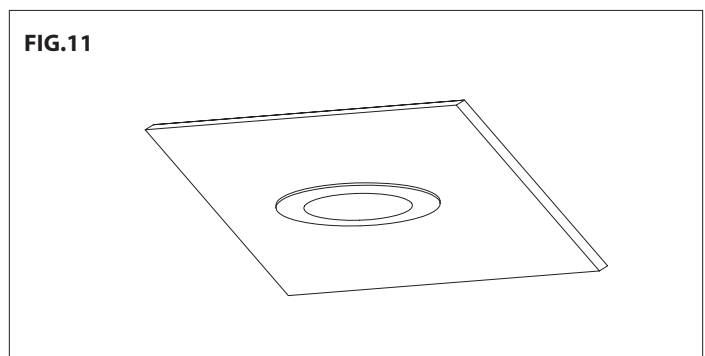
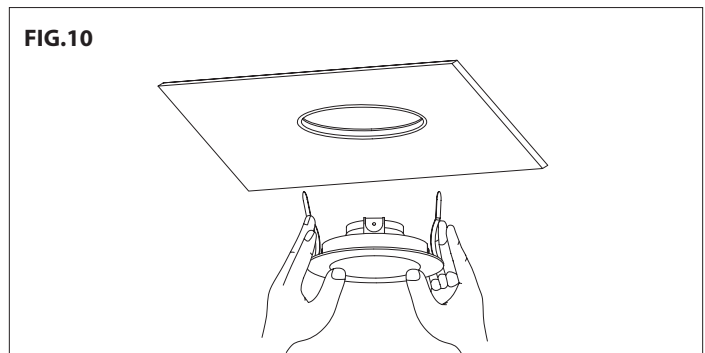
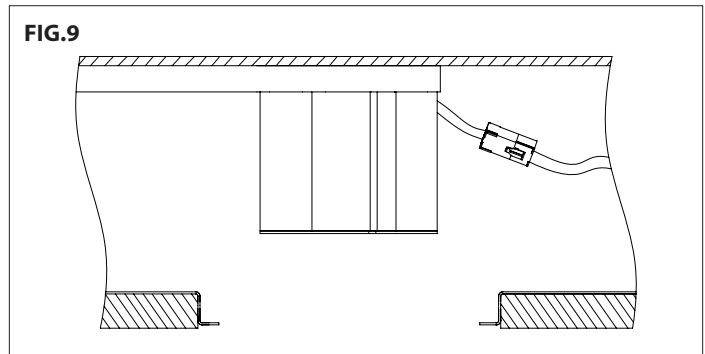
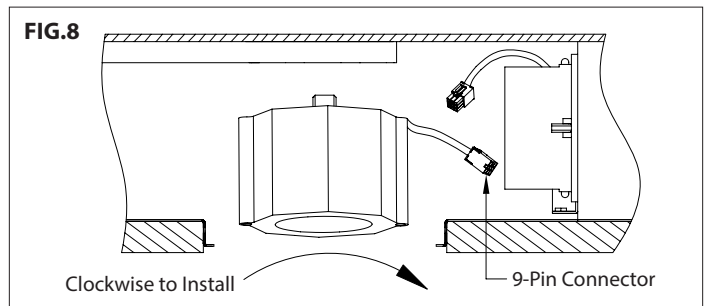
Aether 3.5" Color Tunable LED Downlight

HR-3LED-H18A-CC

WAC LIGHTING
Responsible Lighting®

DOWNLIGHT TRIM INSTALLATION

1. When installing in drywall, cut a hole 4 5/8" in the drywall.
Note: 1 1/2" inch maximum ceiling thickness.
2. Install light engine into the housing by rotating it clockwise onto stud (See **FIG.8**)
Connect light engine and housing 9-pin power connectors (See **FIG.9**).
3. Raise the trim to housing, depress trim spring clips and push the trim assembly up until the trim ring is flush to the ceiling (See **FIG.10 & 11**).
4. Refer to the included ilumenight 2.0 Quick Start Guide for initial Bluetooth fixture setup and control. The Bluetooth discovery distance is up to 30 meters (approx.. 100 feet). Discovery distance may vary due to environmental factors. When commissioning multiple modules, reducing the discovery distance enables a connection to be established with the closest lamp.



INSTALLATION INSTRUCTION

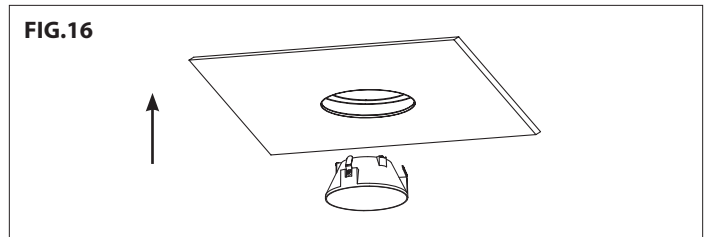
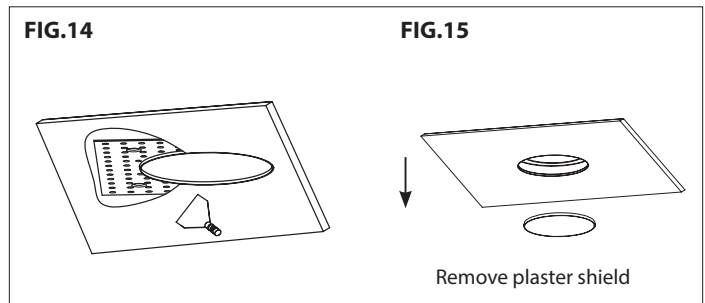
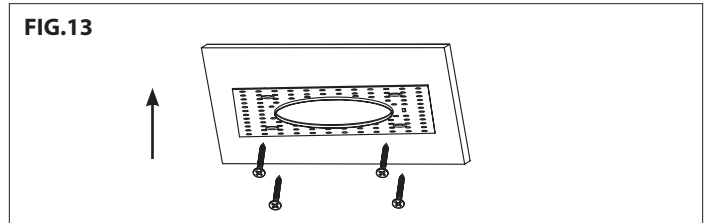
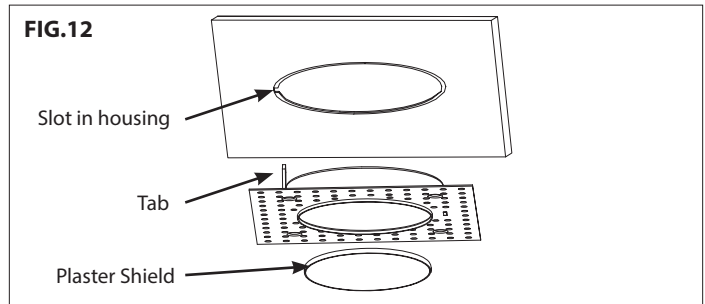
Aether 3.5" Color Tunable LED Downlight

HR-3LED-H18A-CC

WAC LIGHTING
Responsible Lighting®

DOWNLIGHT INVISIBLE TRIM INSTALLATION

1. When installing in drywall, cut a hole 4 5/8" in the drywall.
Note: 1 1/2" inch maximum ceiling thickness.
2. Raise the invisible trim frame aligning tab to slot in housing, and put plaster shield inside (See **FIG.12**).
3. Secure the invisible trim frame to the housing, flush up against the ceiling by using the screws supplied (See **FIG.13**).
4. Apply plaster or spackle over Invisible frame and sand surface when dry for a finished look (See **FIG.14**).
5. Remove the plaster cover when finishing is completed (See **FIG.15**).
6. Install light engine into the housing by rotating it clockwise onto stud (See **FIG.8**)
Connect light engine and housing 9-pin power connectors (See **FIG.9**).
7. Raise the invisible trim assembly up to trim frame until the trim ring is flush to the trim frame (See **FIG.16**).
8. Refer to the included ilumenight 2.0 Quick Start Guide for initial Bluetooth fixture setup and control. The Bluetooth discovery distance is up to 30 meters (approx.. 100 feet). Discovery distance may vary due to environmental factors. When commissioning multiple modules, reducing the discovery distance enables a connection to be established with the closest lamp.



INSTALLATION INSTRUCTION

Aether 3.5" Color Tunable LED Downlight

HR-3LED-H18A-CC

WAC LIGHTING
Responsible Lighting®

WALL WASH TRIM INSTALLATION

1. When installing in drywall, cut a hole 4 5/8" in the drywall.
Note: 1 1/2" inch maximum ceiling thickness.
2. Raise trim to ceiling, connect the 9-pin quick connector and secure safety cable to top of trim by using screw provided (as **Fig.17**).
3. Push the trim assembly up inside the housing until the trim ring is flush to the ceiling (as **Fig.18 & 19**).
4. Refer to the included ilumenight 2.0 Quick Start Guide for initial Bluetooth fixture setup and control. The Bluetooth discovery distance is up to 30 meters (approx.. 100 feet). Discovery distance may vary due to environmental factors. When commissioning multiple modules, reducing the discovery distance enables a connection to be established with the closest lamp.

FIG.17

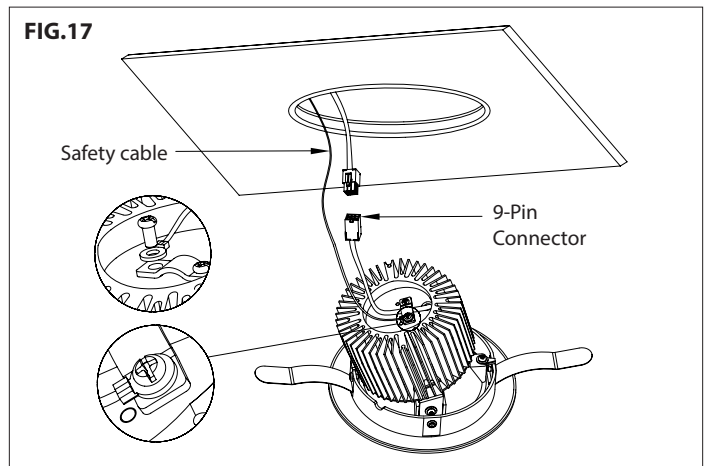


FIG.18

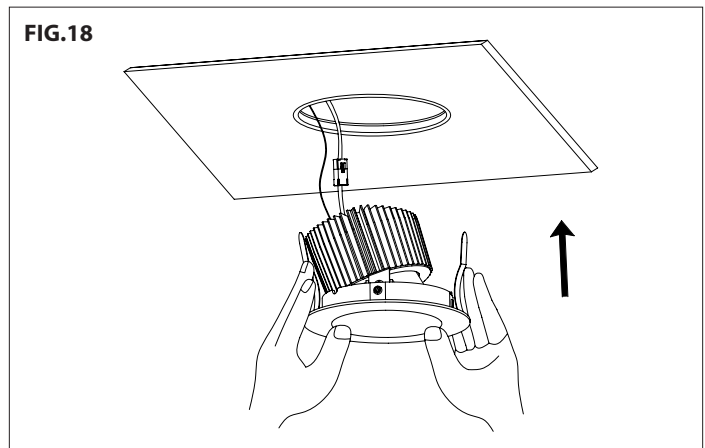
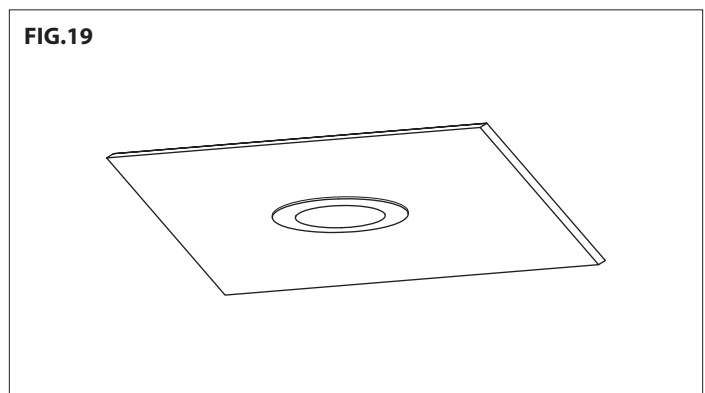


FIG.19



WAC Lighting
www.waclighting.com
Phone (800) 526.2588 • Fax (800) 526.2585

Headquarters/Eastern Distribution Center
44 Harbor Park Drive • Port Washington, NY 11050
Phone (516) 515.5000 • Fax (516) 515.5050

Western Distribution Center
1750 Archibald Ave • Ontario, CA 91761
Phone (800) 526.2588 • Fax (800) 526.2585

INSTALLATION INSTRUCTION

Aether 3.5" Color Tunable LED Downlight

HR-3LED-H18A-CC

WAC LIGHTING
Responsible Lighting®

ADJUSTABLE TRIM INSTALLATION

1. When installing in drywall, cut a hole 4 5/8" in the drywall.
Note: 1 1/2" inch maximum ceiling thickness.
2. Loosen the locking tab by rotating counter clockwise (See **FIG.20**).
Adjust to the desire angle (From 0°to 30°), Retighten the locking tab (See **FIG.21**).
3. Raise trim to ceiling, connect the 9-pin power quick connector. Secure safety cable to top of trim by using screw provided (See **FIG.22**).

FIG.20

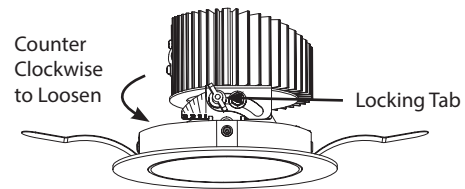


FIG.21

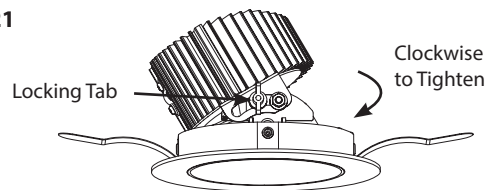
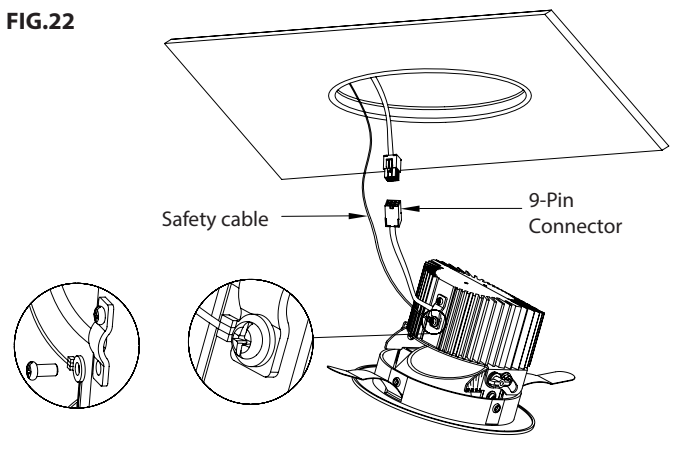


FIG.22



4. Push the trim assembly up inside the housing until the trim ring is flush to the ceiling (See **FIG.23 & 24**).
5. Refer to the included ilumenight 2.0 Quick Start Guide for initial Bluetooth fixture setup and control. The Bluetooth discovery distance is up to 30 meters (approx.. 100 feet). Discovery distance may vary due to environmental factors. When commissioning multiple modules, reducing the discovery distance enables a connection to be established with the closest lamp.

FIG.23

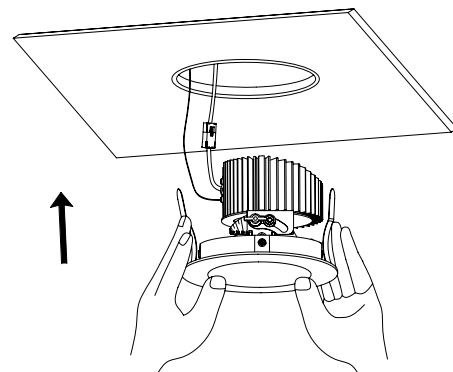
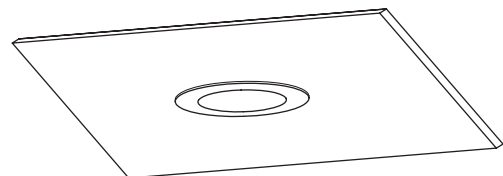


FIG.24



WAC Lighting
www.waclighting.com
Phone (800) 526.2588 • Fax (800) 526.2585

Headquarters/Eastern Distribution Center
44 Harbor Park Drive • Port Washington, NY 11050
Phone (516) 515.5000 • Fax (516) 515.5050

Western Distribution Center
1750 Archibald Ave • Ontario, CA 91761
Phone (800) 526.2588 • Fax (800) 526.2585