

INSTALLATION INSTRUCTION

Aether 3.5" Shallow Recessed Housing

HR-3LED-H17A

WAC LIGHTING
Responsible Lighting®

SAFETY INSTRUCTION

IMPORTANT: NEVER attempt any work without shutting off the electricity.

- Read all instructions before installing.
- System is intended for installation by a qualified electrician in accordance with the National Electrical Code and local regulations.
- Place the wall switch in the "OFF" position.
- Go to the main fuse box, or circuit breaker. Unscrew the fuse(s) or switch "OFF" the circuit breaker switch(es) that control the power to the space that you are working on.

CAUTION:

All parts must be used as indicated in these instructions. Do not substitute any parts, leave parts out, or use any parts that are worn out or broken. Failure to follow this instruction could invalidate the ETL/cETL listing of this fixture.

AVERTISSEMENT

IMPORTANT : COUPEZ L'ÉLECTRICITÉ AVANT TOUTE MANIPULATION.

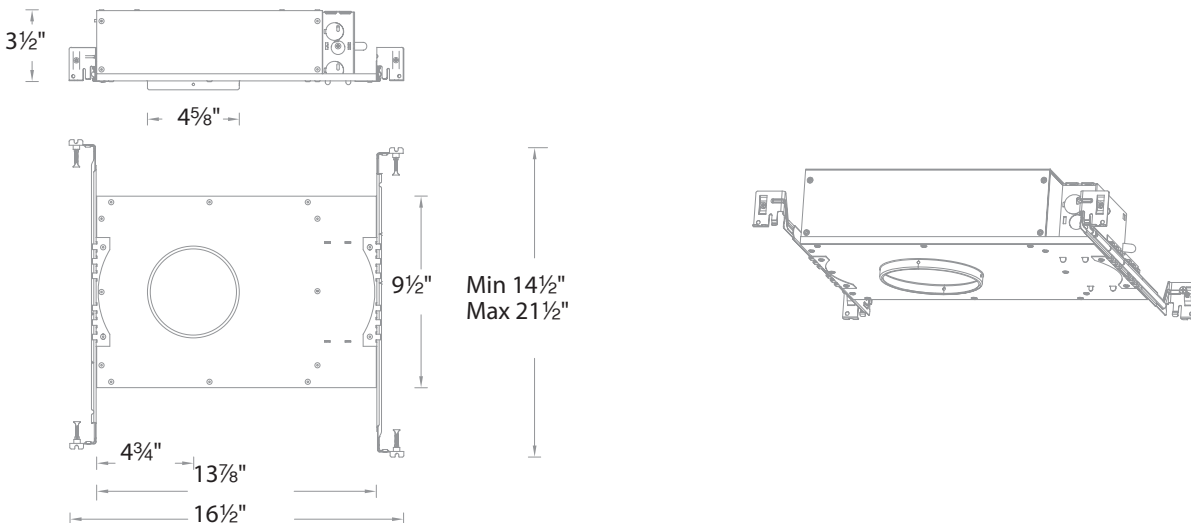
- Lisez toutes les instructions avant d'installer.
- Système est destiné à être installé par un électricien qualifié en conformité avec le code national de l'électricité et les règlements locaux.
- Placez l'interrupteur mural en position d'arrêt (« OFF »).
- Accédez au panneau central de disjoncteurs ou de fusibles de votre demeure et placez l'interrupteur principal en position d'arrêt (« OFF »).

MISE EN GARDE

Toutes les pièces doivent être utilisées tel qu'il est indiqué dans ces instructions. Ne remplacez pas les pièces, n'en laissez pas de côté et ne les utilisez pas si elles sont usées ou brisées. Le non-respect de ces instructions peut annuler l'homologation ETL/cETL du luminaire.

OVERVIEW:

This housing is new construction IC rated and AIRTIGHT. It requires a trim for finished look. Check our catalog or website for compatible trim choices



WAC Lighting
www.waclighting.com
Phone (800) 526.2588 • Fax (800) 526.2585

Headquarters/Eastern Distribution Center
44 Harbor Park Drive • Port Washington, NY 11050
Phone (516) 515.5000 • Fax (516) 515.5050

Western Distribution Center
1750 Archibald Ave • Ontario, CA 91761
Phone (800) 526.2588 • Fax (800) 526.2585

INSTALLATION INSTRUCTION

Aether 3.5" Shallow Recessed Housing

HR-3LED-H17A

WAC LIGHTING
Responsible Lighting®

HOUSING INSTALLATION:

1. Install housing using two hanger bars provided. Align the bottom of the hanger bar with the bottom of the joist. Secure the "screw-nail" on each end by screw-driver or by hammer (See FIG.1 detail A).

Slide fixture along hanger bar into the desired location, use locking screws to secure (See FIG.1 detail B).

For grid installation, hanger bars are supported on grids. (See FIG.2)

FIG.1

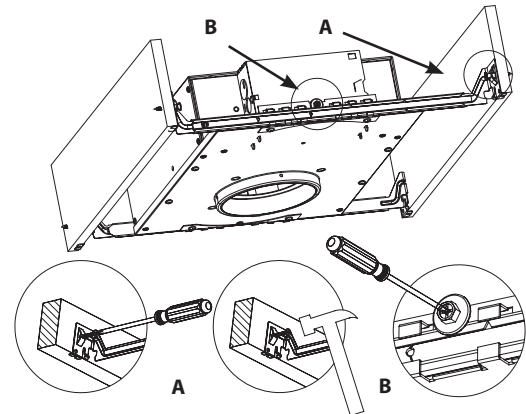
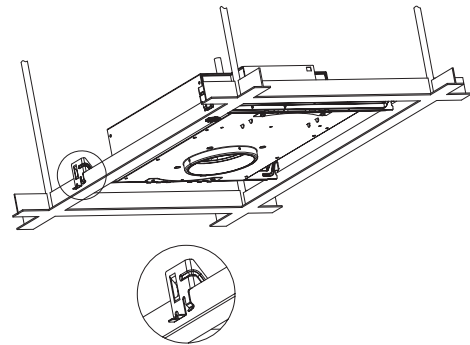
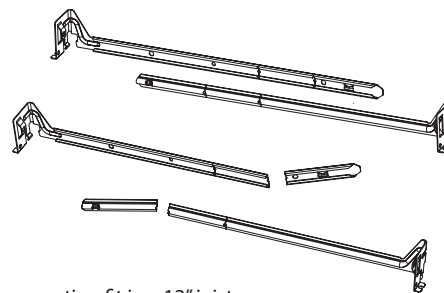


FIG.2



2. To shorten hanger bars to fit in a 12" joist, snap off one section of the hanger bars (See FIG.3).

FIG.3



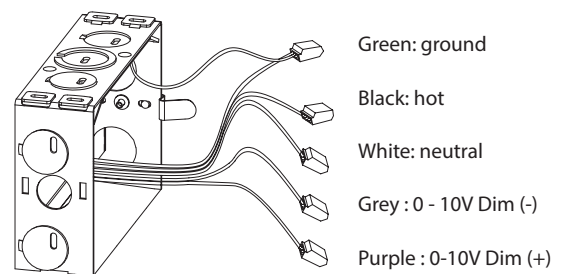
Snap off one section fit in a 12" joist

3. Remove spring latched junction box cover and connect fixture wires to building wires: insert each supply wire into appropriate junction box connector. Connect black fixture wire to hot, white fixture wire to neutral, green fixture wire to ground, grey fixture wire to Dim (-) and purple fixture wire to Dim (+) (See FIG.4).

To utilize ELV, wire black (line hot) and white (line neutral) in accordance to dimmer specifications. To utilize 0-10V dimming, wire purple (dim+), gray (dim-), black (line hot), and white (line neutral) in accordance to dimmer specifications. When not using a dimmer, connect black fixture wire to hot, white fixture wire to neutral and green fixture wire to ground. Leave all other wires capped individually.

Place all wiring and connectors back in junction box and replace the junction box's cover.

FIG.4



WAC Lighting
www.waclighting.com
Phone (800) 526.2588 • Fax (800) 526.2585

Headquarters/Eastern Distribution Center
44 Harbor Park Drive • Port Washington, NY 11050
Phone (516) 515.5000 • Fax (516) 515.5050

Western Distribution Center
1750 Archibald Ave • Ontario, CA 91761
Phone (800) 526.2588 • Fax (800) 526.2585

INSTALLATION INSTRUCTION

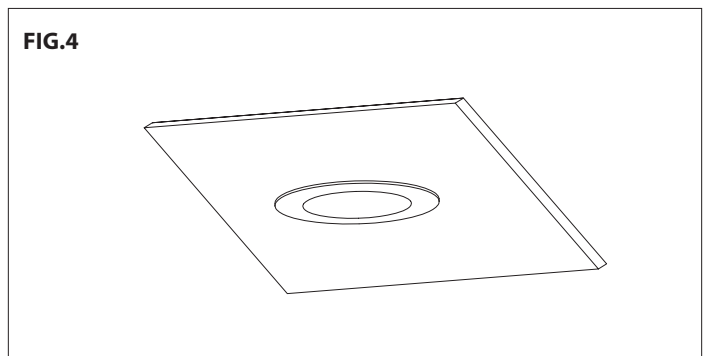
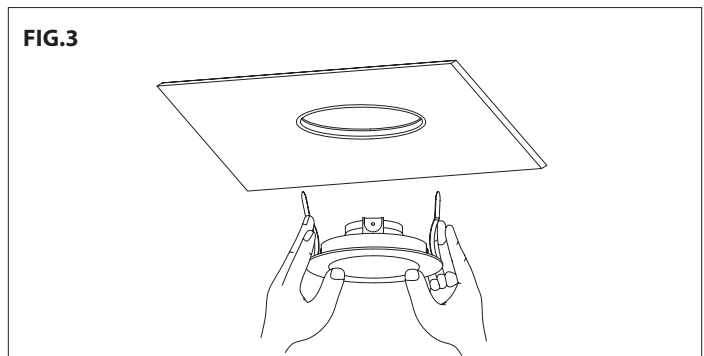
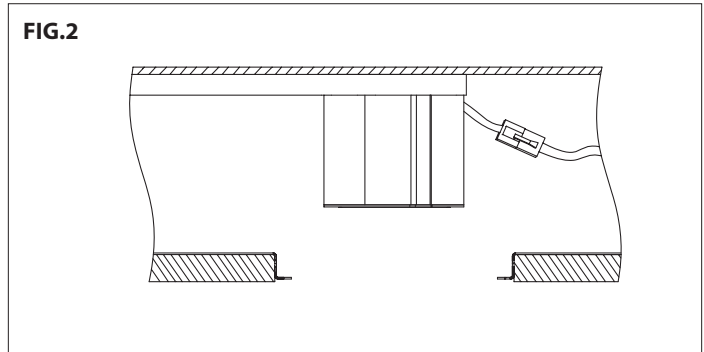
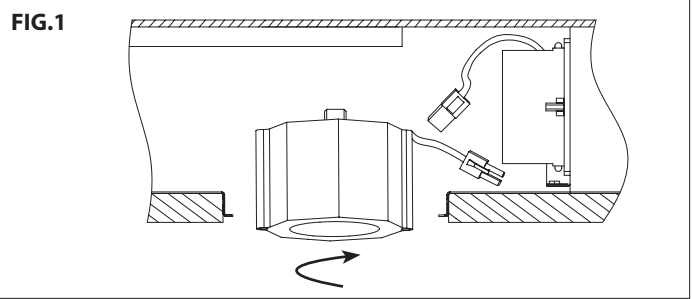
Aether 3.5" Shallow Recessed Trims (Downlight)

R3ARDT, R3ASDT

WAC LIGHTING
Responsible Lighting®

DOWNLIGHT TRIM INSTALLATION

1. When installing in drywall, cut a hole 4 5/8" into it. Note: 1 1/2" inch maximum ceiling thickness.
2. Install light engine into the housing by rotating it clockwise onto stud (**Fig.1**)
Connect light engine and housing power connectors (**Fig.2**).
3. Raise the trim to housing, depress trim spring clips and push the trim assembly up until the trim ring is flush to the ceiling (See **FIG.3** and **FIG.4**).



INSTALLATION INSTRUCTION

Aether 3.5" Shallow Recessed Trims (Adjustable)

R3ARAT, R3ASAT

WAC LIGHTING
Responsible Lighting®

ADJUSTABLE TRIM INSTALLATION

1. When installing in drywall, cut a hole 4 5/8" into it. Note: 1 1/2" inch maximum ceiling thickness.
2. Loosen the locking tab by rotating counter clockwise (**Fig.1**) Adjust to desired angle (From 0°to 30°), Retighten the locking tab (**Fig.2**).
3. Raise trim to ceiling and connect the power quick connector. Secure safety cable to top of trim using screw provided (**Fig.3**).
4. Push the trim assembly up inside the housing until the trim ring is flush to the ceiling (as **Fig.4** and **Fig.5**).

FIG.1

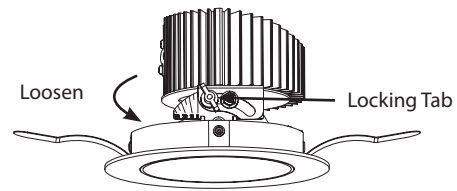


FIG.2

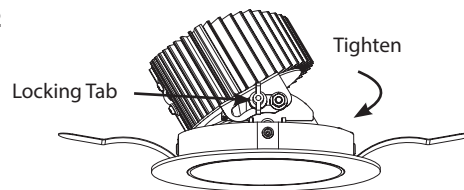


FIG.3

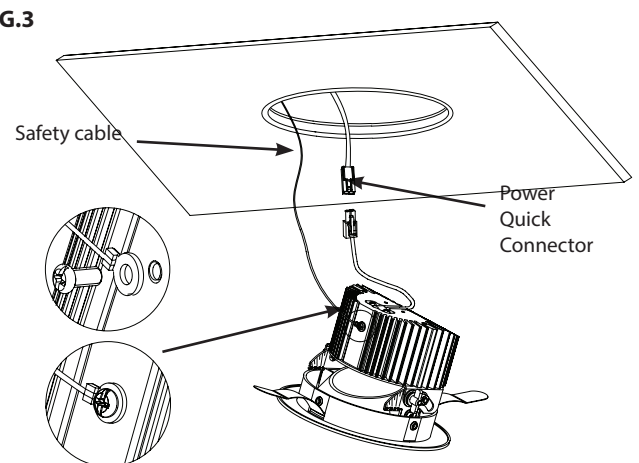


FIG.4

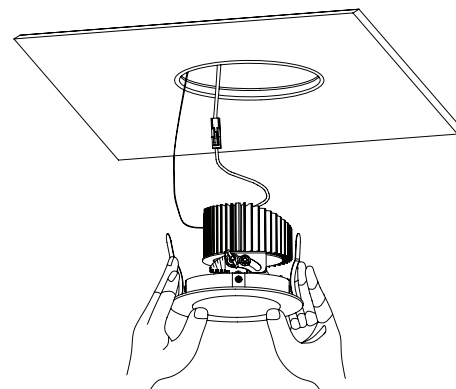
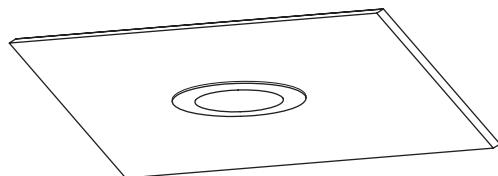


FIG.5



WAC Lighting
www.waclighting.com
Phone (800) 526.2588 • Fax (800) 526.2585

Headquarters/Eastern Distribution Center
44 Harbor Park Drive • Port Washington, NY 11050
Phone (516) 515.5000 • Fax (516) 515.5050

Western Distribution Center
1750 Archibald Ave • Ontario, CA 91761
Phone (800) 526.2588 • Fax (800) 526.2585

INSTALLATION INSTRUCTION

Aether 3.5" Shallow Recessed Trims (Wall Wash)

R3ARWT, R3ASWT

WAC LIGHTING

Responsible Lighting®

WALL WASH TRIM INSTALLATION

1. When installing in drywall, cut a hole 4 5/8" into it. Note: 1 1/2" inch maximum ceiling thickness.
2. Raise trim to ceiling and connect the power quick connector secure safety cable to top of trim using screw provided (as **Fig.1**).
3. Push the trim assembly up inside the housing until the trim ring is flush to the ceiling (as **Fig.2** and **Fig.3**).

FIG.1

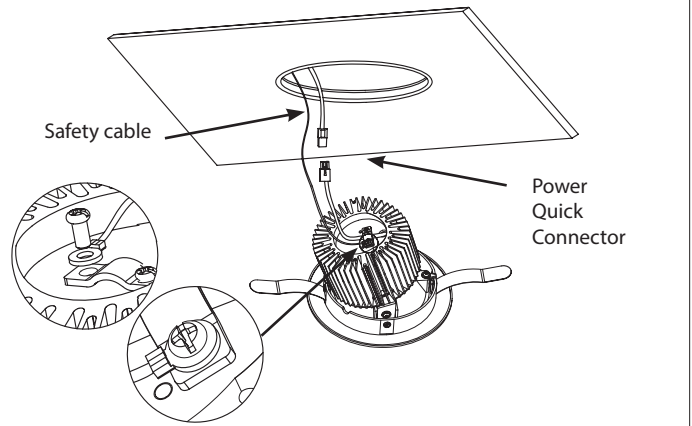


FIG.2

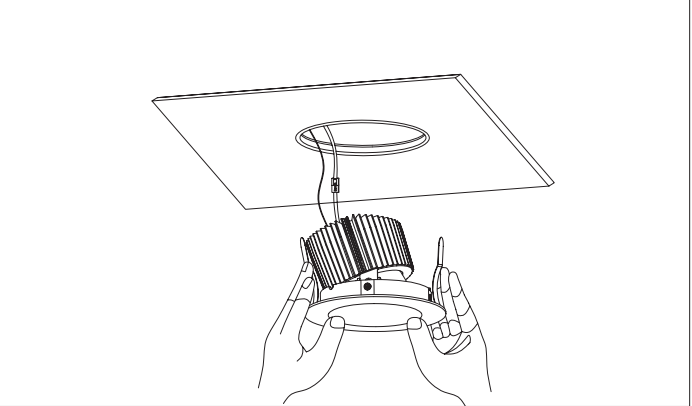
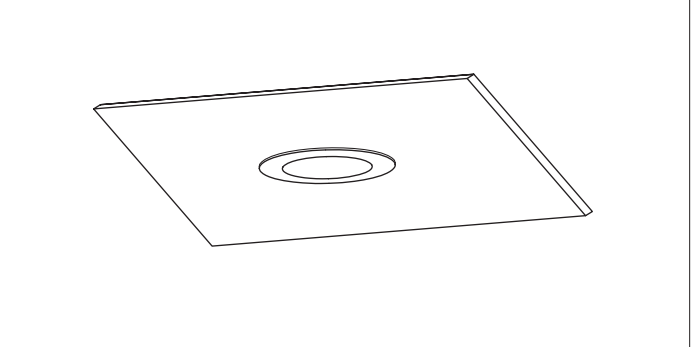


FIG.3



WAC Lighting
www.waclighting.com
Phone (800) 526.2588 • Fax (800) 526.2585

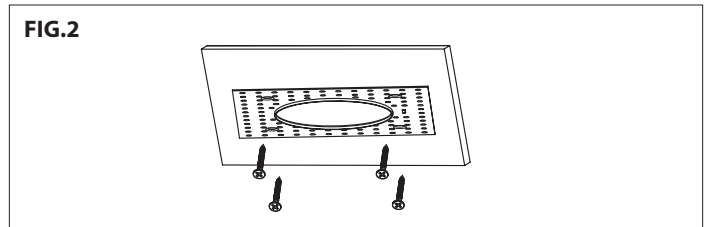
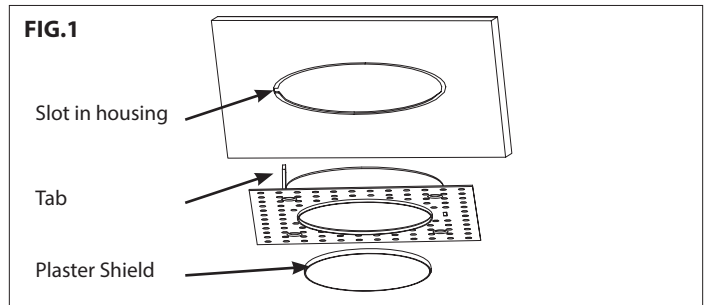
Headquarters/Eastern Distribution Center
44 Harbor Park Drive • Port Washington, NY 11050
Phone (516) 515.5000 • Fax (516) 515.5050

Western Distribution Center
1750 Archibald Ave • Ontario, CA 91761
Phone (800) 526.2588 • Fax (800) 526.2585

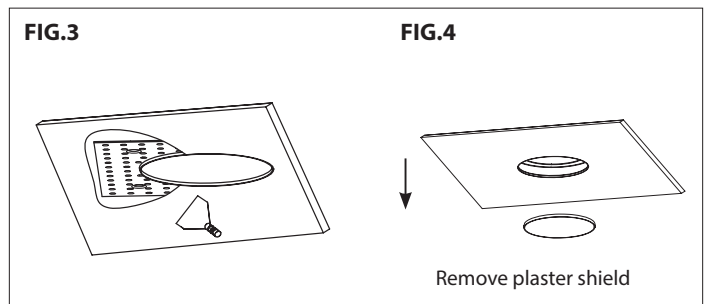
INSTALLATION INSTRUCTION
Aether 3.5" Shallow Recessed Trimless
R3ARDL, R3ASDL

DOWNLIGHT TRIMLESS INSTALLATION

1. When installing in drywall, cut a hole 4 5/8" in the drywall.
Note: 1 1/2" inch maximum ceiling thickness.
2. Raise the trimless frame aligning tab to slot in housing, and put plaster shield inside (See **FIG.1**).
3. Secure the trimless frame to the housing, flush up against the ceiling using the screws supplied (See **FIG.2**).

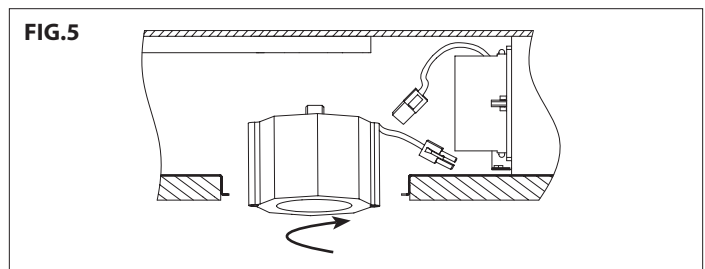


4. Apply plaster or spackle over trimless frame and sand surface when dry for a finished look (See **FIG.3**).

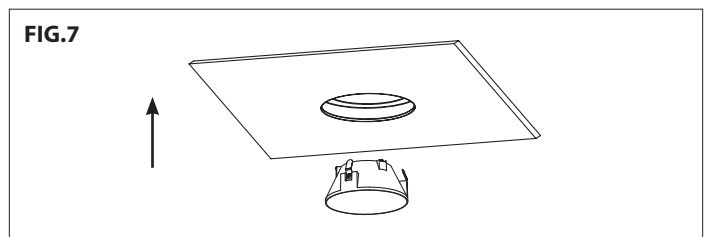
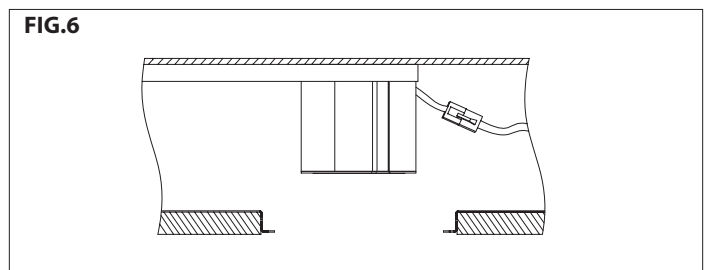


5. Remove the plaster cover when finishing is completed (See **FIG.4**).

6. Install light engine into the housing by rotating it clockwise onto stud (**Fig.5**)
Connect light engine and housing power connectors (**Fig.6**).



7. Raise the trimless assembly up to trim frame until the trim ring is flush to the trim frame (See **FIG.7**).



INSTALLATION INSTRUCTION

Aether 3.5" Shallow Recessed Trimless (Adjustable/Wall Wash - Round)

R3ARAL, R3ASAL, R3ARWL, R3ASWL

WAC LIGHTING
Responsible Lighting®

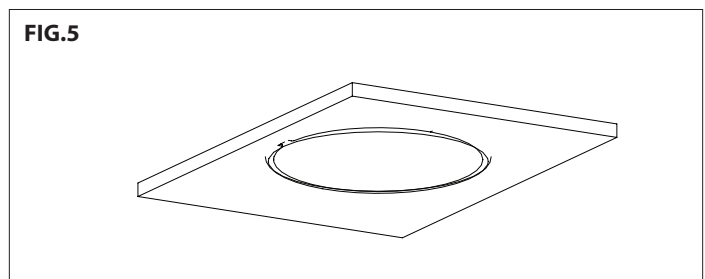
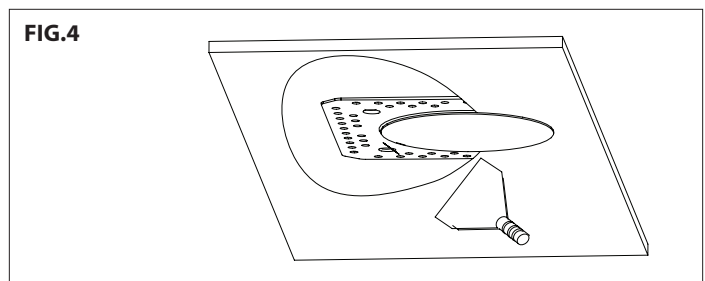
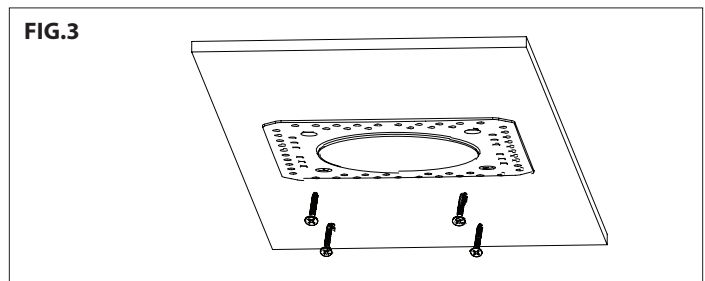
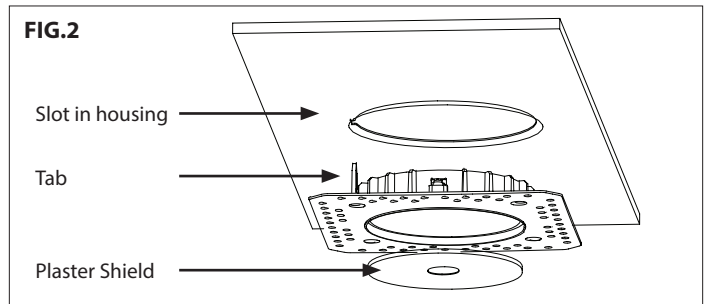
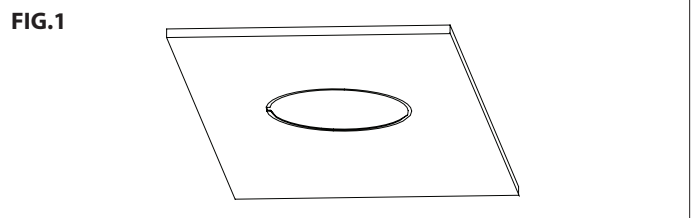
ROUND INVISIBLE TRIM FRAME INSTALLATION

1. When installing in drywall, cut a hole 4 3/4" into it (See **FIG.1**).
Note: Accommodates 1 1/2" ceiling thickness.
2. Raise the trimless frame aligning tab to slot in housing, and put shield inside (See **FIG.2**).
3. Secure the trimless frame to the housing, flush up against the ceiling using the screws supplied (See **FIG.3**).
4. Apply plaster or spackle over trimless frame and sand surface when dry for a finished look (See **FIG.4**).

SQUARE TRIMLESS FRAME INSTALLATION

(FOR SQUARE ADJUSTABLE AND SQUARE WALL WASH)

5. When installing in drywall, cut a hole 4 3/4" into it (See **FIG.5**).
Note: Accommodates for 1/2" - 1 1/2" ceiling thickness.



WAC Lighting
www.waclighting.com
Phone (800) 526.2588 • Fax (800) 526.2585

Headquarters/Eastern Distribution Center
44 Harbor Park Drive • Port Washington, NY 11050
Phone (516) 515.5000 • Fax (516) 515.5050

Western Distribution Center
1750 Archibald Ave • Ontario, CA 91761
Phone (800) 526.2588 • Fax (800) 526.2585

INSTALLATION INSTRUCTION

Aether 3.5" Shallow Recessed Trimless (Adjustable/Wall Wash - Square)

R3ARAL, R3ASAL, R3ARWL, R3ASWL

WAC LIGHTING
Responsible Lighting®

SQUARE TRIMLESS FRAME INSTALLATION

1. Raise the trimless frame aligning tab to slot in housing, and put shield inside (See **FIG.1**).
2. Secure the trimless frame to the housing, lock the square trim frame loosely in the slot with four self-tapping screws supplied. (See **FIG.2**).
Note: The screws should pass through the holes in the housing.
3. Loosen the baffle, move it to the inside (as the arrow shown), then tighten it (See **FIG.3**).
4. Rotate the square trim frame to a correct position, tighten the four self-tapping screws (See **FIG.4**).
5. Apply plaster or spackle over trimless frame and sand surface when dry for a finished look (See **FIG.5**).

FIG.1

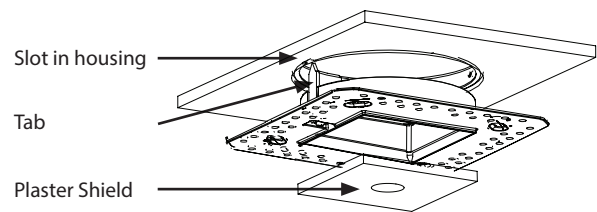


FIG.2

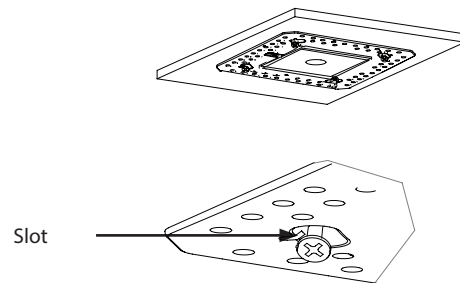


FIG.3

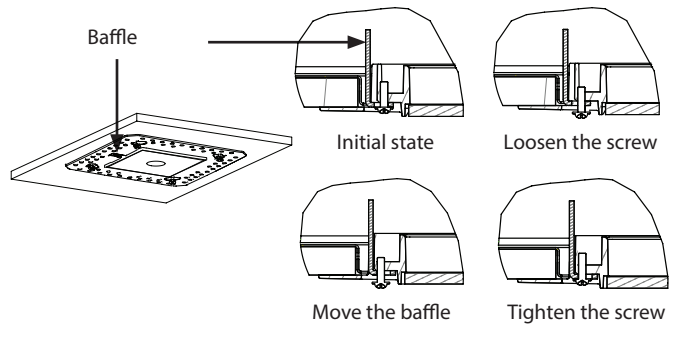


FIG.4

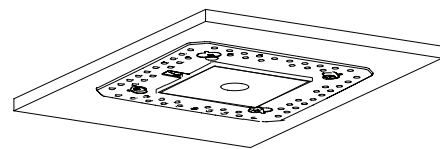
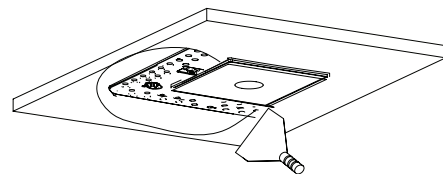


FIG.5



WAC Lighting
www.waclighting.com
Phone (800) 526.2588 • Fax (800) 526.2585

Headquarters/Eastern Distribution Center
44 Harbor Park Drive • Port Washington, NY 11050
Phone (516) 515.5000 • Fax (516) 515.5050

Western Distribution Center
1750 Archibald Ave • Ontario, CA 91761
Phone (800) 526.2588 • Fax (800) 526.2585

INSTALLATION INSTRUCTION

Aether 3.5" Shallow Recessed Trimless Trims Adjustable and Wall Wash

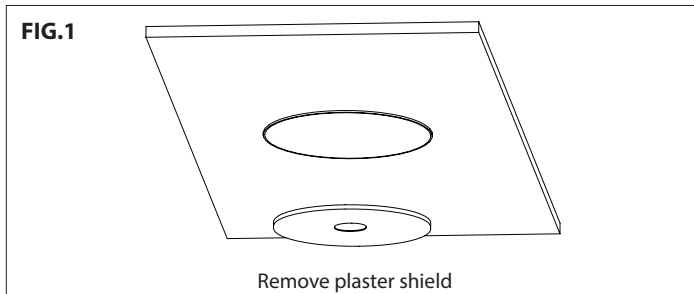
R3ARAL, R3ASAL, R3ARWL, R3ASWL

WAC LIGHTING
Responsible Lighting®

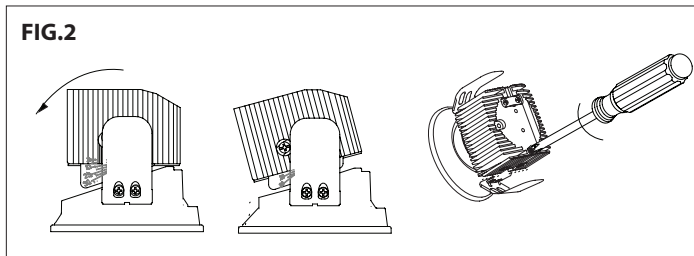
TRIMLESS INSTALLATION

(For Adjustable and Wall Wash, Round and Square)

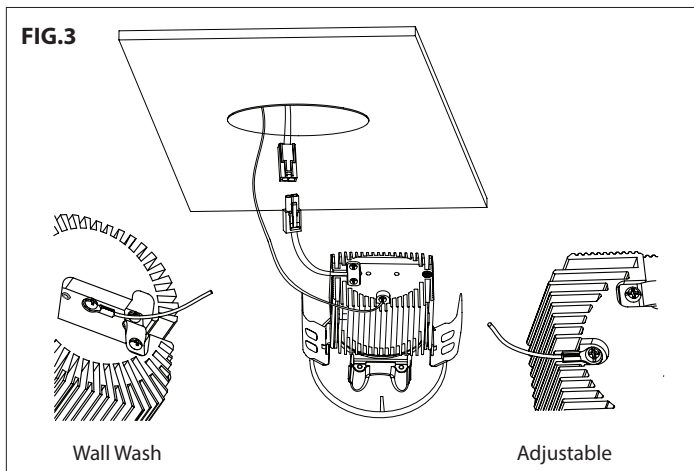
1. Remove the plaster cover when finishing is completed (See **FIG.1**).



2. Set the angle between the trim and the heat sink.
Lock the screw in the top of the heat sink (See **FIG.2**).
Note: This step is just for the adjustable trim.

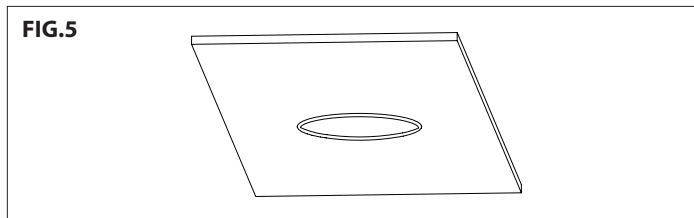
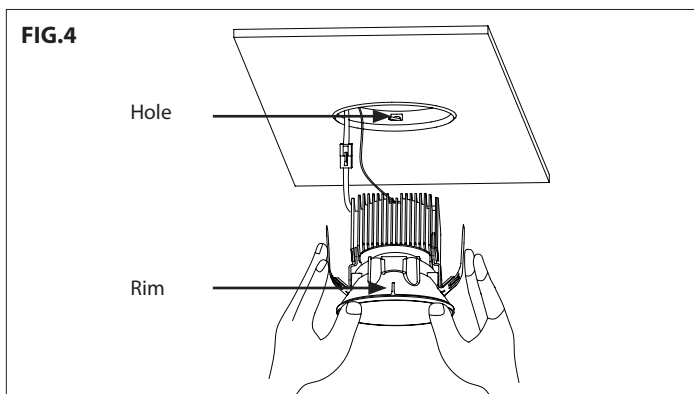


3. Raise trim to ceiling, contact the power quick connector and
locksafety cable to top of trim using screw provided (See **FIG.3**).
Note: The location of safety cable is different between adjustable
trim and wall wash trim as shown



4. Raise the trimless assembly up to trim frame,
press the trim rings and push the trim until the trim
is flush to the trim frame (See **FIG.4** and **FIG.5**).

Note: For of the hole in the trim frame (As the picture shown).
When you push the trim, the force pressed at the springs is
necessary or the springs may be damaged.



WAC Lighting
www.waclighting.com
Phone (800) 526.2588 • Fax (800) 526.2585

Headquarters/Eastern Distribution Center
44 Harbor Park Drive • Port Washington, NY 11050
Phone (516) 515.5000 • Fax (516) 515.5050

Western Distribution Center
1750 Archibald Ave • Ontario, CA 91761
Phone (800) 526.2588 • Fax (800) 526.2585

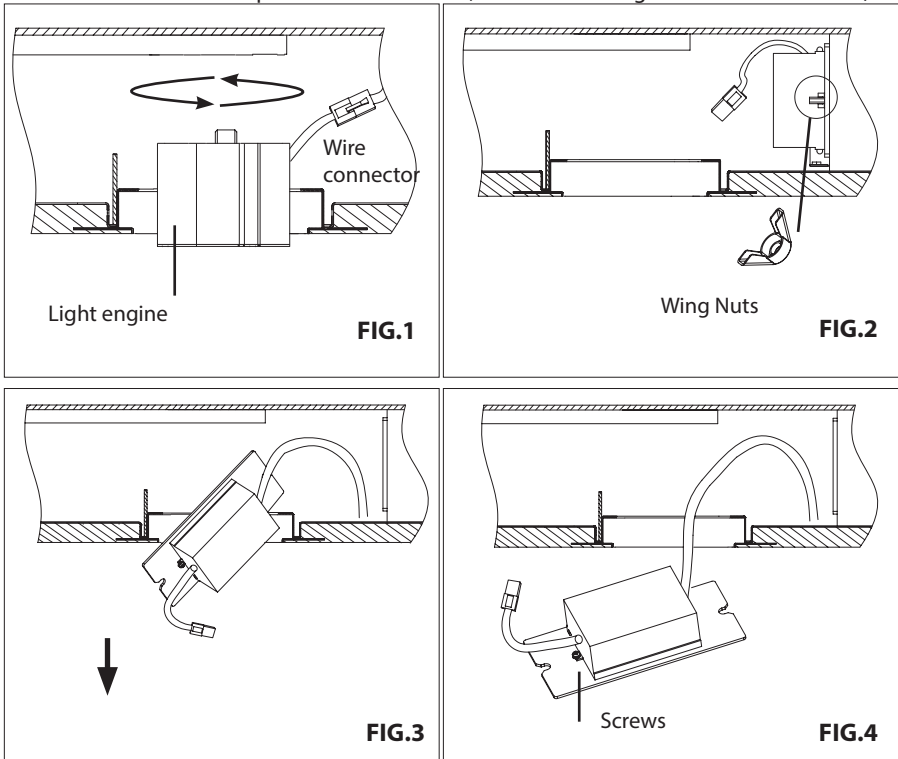
INSTALLATION INSTRUCTION

Aether 3.5" Shallow Recessed

Driver Replacement

REPLACE DRIVER

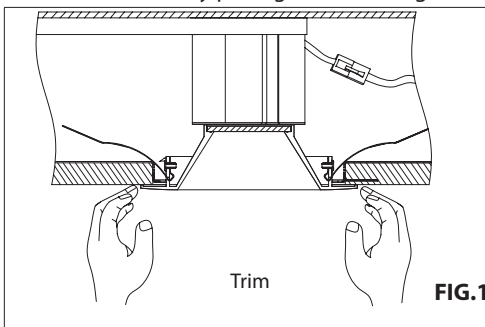
1. Remove the LED module by rotating the LED module counterclockwise and disconnect the LED module from the driver. (FIG.1) (Downlight Only), then loosen wing nuts on the side of driver (FIG.2).
2. Tilt driver downward and remove from housing (FIG.3).
3. Remove screws to replace driver with new, rewire according to code and reinstall (FIG.4).



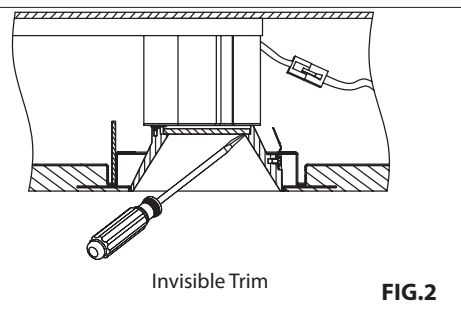
LED AND DRIVER REPLACEMENT

1. Remove the trim or trimless insert
 - a. Remove the trim or trimless insert as shown below (FIG.1 & 2).

Remove the trim by pulling the trim's edge



To remove trimless insert:
Remove the trimless insert by gently prying between the trimless bevel and lens



INSTALLATION INSTRUCTION

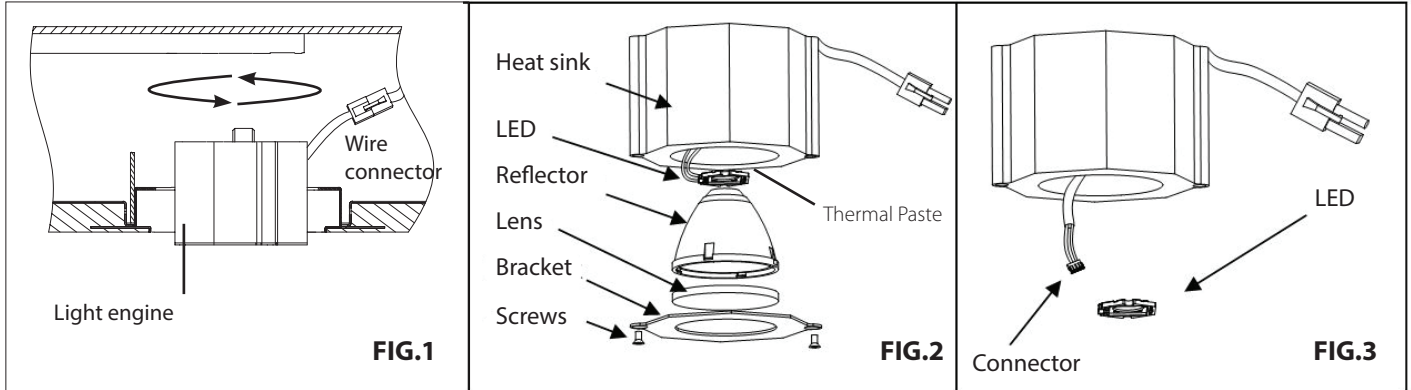
Aether 3.5" Shallow Recessed

LED Replacement - Trim

WAC LIGHTING
Responsible Lighting®

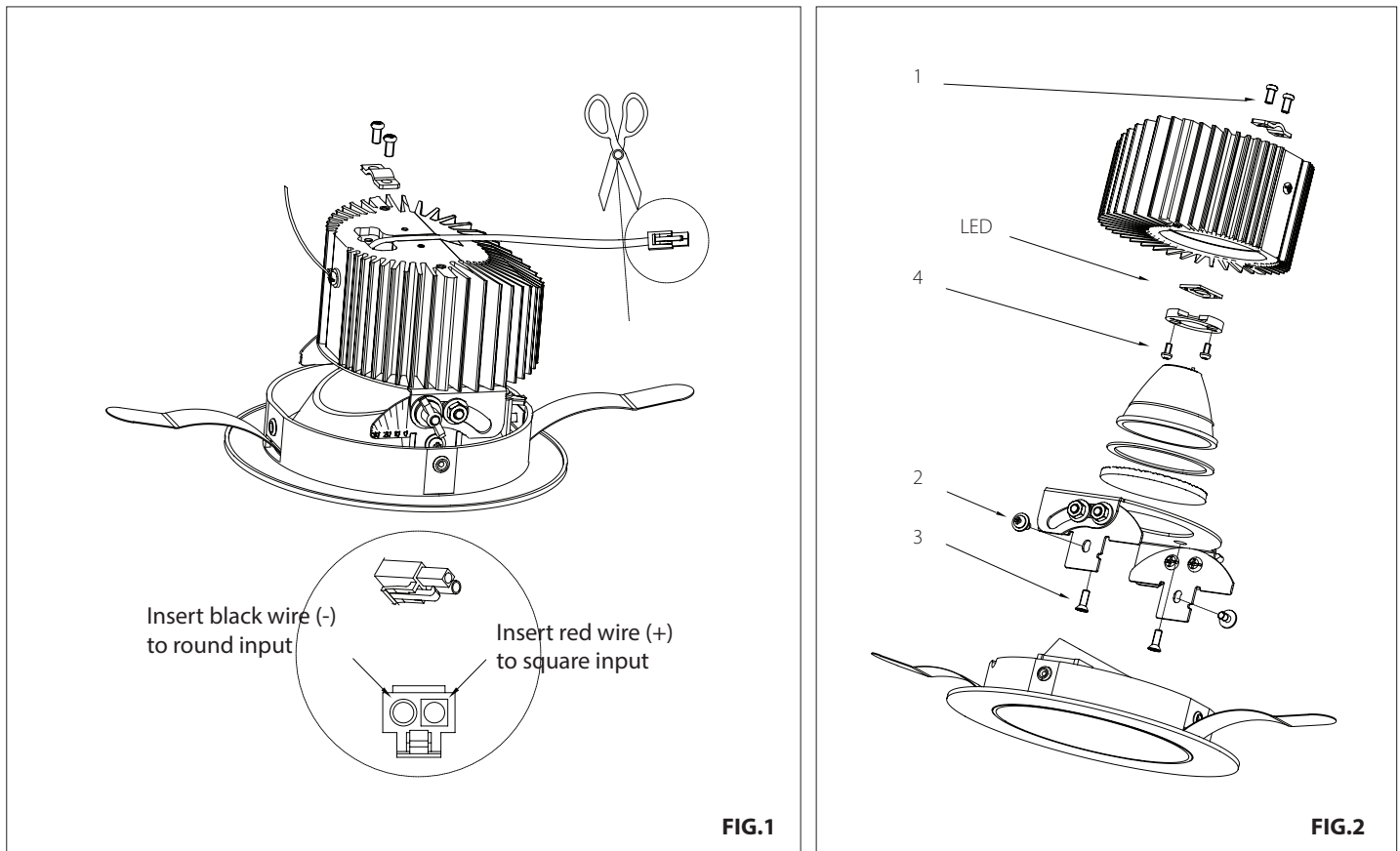
LED REPLACEMENT (DOWNLIGHT)

- Disconnect wire connector, rotate the Light engine counterclockwise and pull out to remove the Light engine from housing (**FIG.1**).
- Replace the LED by unscrewing the bracket, removing lens and reflector. (**FIG.2**).
- Remove existing thermal paste residue from heat sink. Apply new thermal paste (>3.15 w/m-k), then replace the LED (**FIG.3**).



LED REPLACEMENT (ADJUSTABLE AND WALL WASH TRIM)

- Remove the trim by pulling the trim's edge
- Release the two screws from the light engine (**FIG.1**), remove the safety cable and use scissor to cut the LED input
- Follow the steps (**FIG.2**) by removing #2, #3 then #4 screws from the light fixture. Replace the LED module.
- Remove existing thermal paste residue from heat sink. Apply new thermal paste (>3.15 W/M-K), then replace the LED Module.



WAC Lighting
www.waclighting.com
Phone (800) 526.2588 • Fax (800) 526.2585

Headquarters/Eastern Distribution Center
44 Harbor Park Drive • Port Washington, NY 11050
Phone (516) 515.5000 • Fax (516) 515.5050

Western Distribution Center
1750 Archibald Ave • Ontario, CA 91761
Phone (800) 526.2588 • Fax (800) 526.2585

INSTALLATION INSTRUCTION

Aether 3.5" Shallow Recessed

LED Replacement - Invisible Trim

WAC LIGHTING

Responsible Lighting®

LED REPLACEMENT

1. Remove the invisible trim

1-1. Remove adjustable trim

a. Rotate the round trim to the position as shown (**FIG.1**) Note: The square trim doesn't need this action

b. Remove the adjustable trim by pulling the edges of the trim (**FIG.2**)

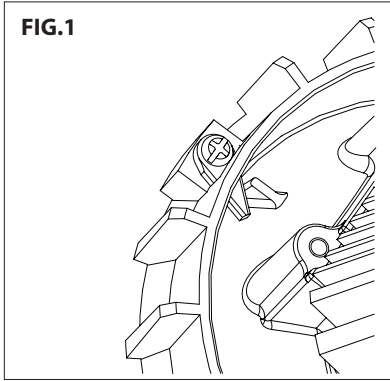
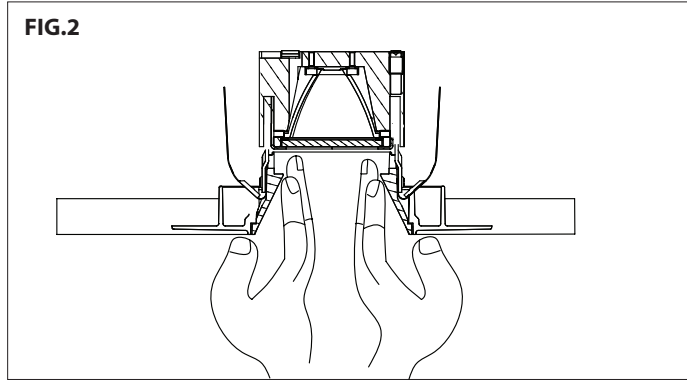


FIG.2



1-2. Remove wall wash trim

a. Rotate the round trim to the position as shown (**FIG.3**) Note: The square trim doesn't need this action

b. Remove the adjustable trim by pulling the edges of the trim (**FIG.4**)

c. Pull the other side of the trim (**FIG.5**)

d. Pull out the trim (**FIG.6**)

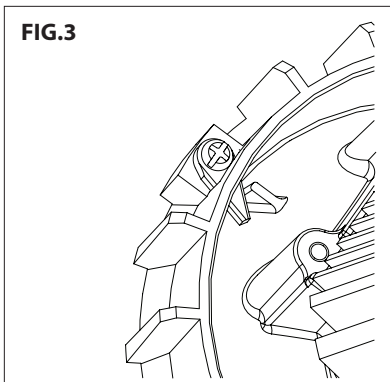


FIG.4

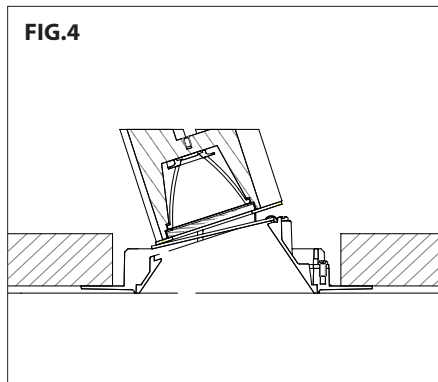


FIG.5

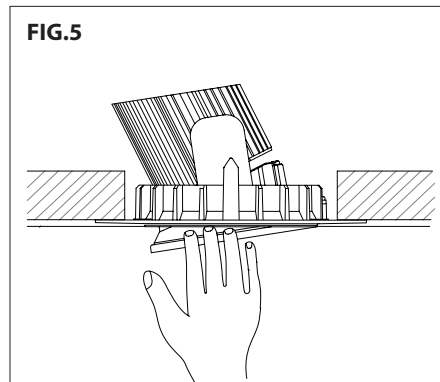
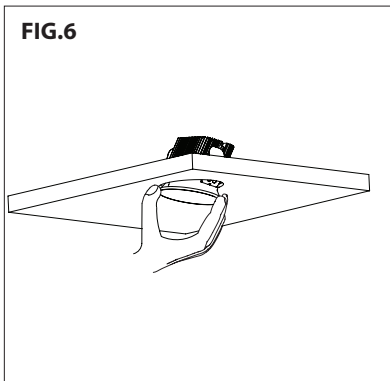


FIG.6



WAC Lighting
www.waclighting.com
Phone (800) 526.2588 • Fax (800) 526.2585

Headquarters/Eastern Distribution Center
44 Harbor Park Drive • Port Washington, NY 11050
Phone (516) 515.5000 • Fax (516) 515.5050

Western Distribution Center
1750 Archibald Ave • Ontario, CA 91761
Phone (800) 526.2588 • Fax (800) 526.2585

INSTALLATION INSTRUCTION

Aether 3.5" Shallow Recessed

LED Replacement (Adjustable and Wall Wash Trim)

WAC LIGHTING

Responsible Lighting®

LED REPLACEMENT

1. Disconnect wire connector, use scissors to cut the LED input and release the screw from the heat sink to remove the safety cable (**FIG.1**).
2. Follow the steps (**FIG.2** and **FIG.3**) by removing **#1, #2, #3** and **#4** screws from the light fixture. Remove the existing LED module.
3. Replace existing thermal paste residue from heat sink. Apply new thermal paste (> 3.15 W/M-K), then replace the LED module.

FIG.1

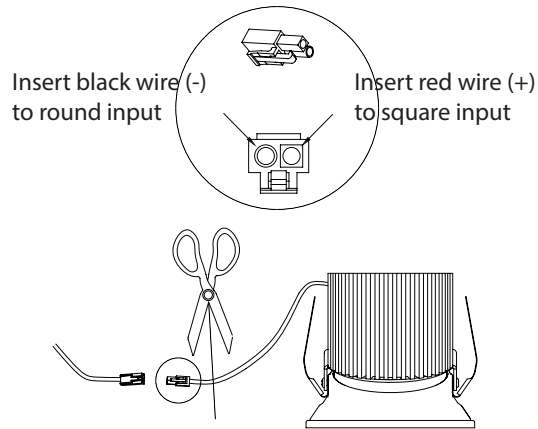


FIG.2

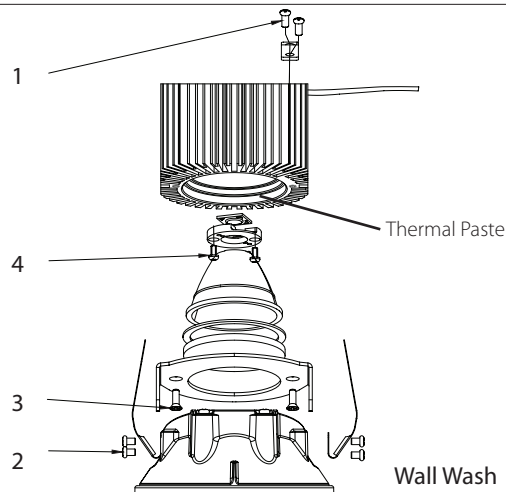
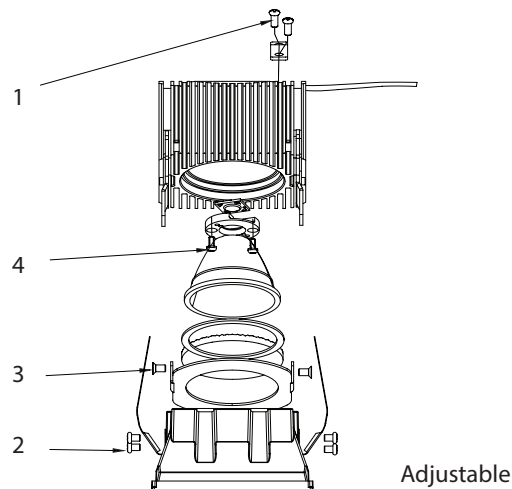


FIG.3



WAC Lighting
www.waclighting.com
Phone (800) 526.2588 • Fax (800) 526.2585

Headquarters/Eastern Distribution Center
44 Harbor Park Drive • Port Washington, NY 11050
Phone (516) 515.5000 • Fax (516) 515.5050

Western Distribution Center
1750 Archibald Ave • Ontario, CA 91761
Phone (800) 526.2588 • Fax (800) 526.2585