

5085

LED-UL



Project name:
Date: Specifier:
Line: Frame
Family: Ceiling
Description: Frame Accord Ceiling Mounted 5085

Material: Natural Wood Veneer MDF and Acrylic
Weight:

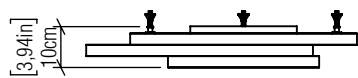
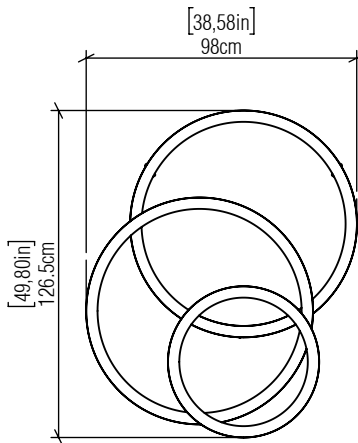
Integrated LED Strip 1 unit Driver housed in the Luminaire
Dimmable, ELV

Color Temperature: 2700K, 3000K, 3500K or 4000K,
CRI: 90
Luminous Flux: 2500lm
Delivered Lumens: 1250lm
Total Power: 25W

Input Voltage: 110V - 277V
Input Frequency: 60 Hz
Isolation: Class II



2x Ø 80cm / 31,49in
1x Ø 60cm / 23,62in



FINISHING OPTION:

	02 MATTE BLACK		27 GOLD
	06 IMBUIA		29 TEAL
	07 WHITE		30 OLIVE GREEN
	09 LOURO FREIJÓ		31 FERRARI RED
	12 TEAK		32 COPPER
	15 CAPPUCCINO		33 BRONZE
	18 AMERICAN WALNUT		34 MAPLE
	22 GLOSSY BLACK		38 PALE GOLD
	25 IREDESCENT WHITE		39 LEAD GREY
	26 LIGHT PINK		40 SATIN BLUE