

# 4129 [GU10]

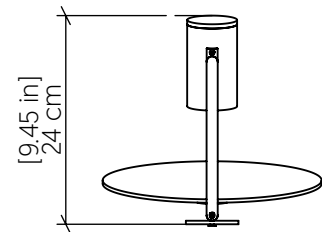
Name: Dot Accord Wall Lamp 4129  
 Collection: Dot  
 Application: Wall Lamp  
 Construction: Natural Wood Venner, MDF and Carbon Steel

Light Source: 1x GU10 6W 120v-277v  
 Light Bulbs not Included  
 Color Temperature: Lamp dependent  
 CRI: Lamp dependent  
 Delivered Lumens: Lamp dependent  
 Total Power: Lamp dependent  
 Input Voltage: 100V-277V  
 Input Frequency: 60 Hz  
 Canopy Dimension: N/A  
 Weight: 1.25kg/2.76lbs

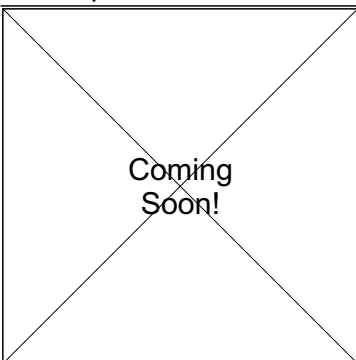
## Fixture Image



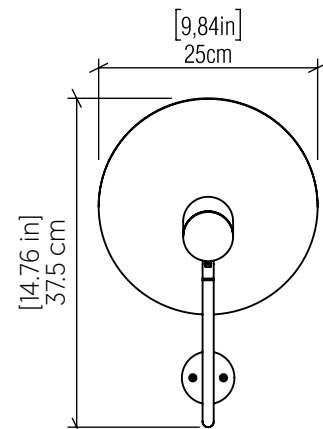
## Technical Drawing



## Photometric Graph



## Standards



Item code

Finish Option <sup>①</sup>

Metal Work <sup>②</sup>

If Double Finish Option

Outside

Inside

01 Example: 4135.09.33r

4135

09

33r

## Finishing Options <sup>①</sup>

### Natural Wood



06 IMBUIA



09 LOURO FREIJÓ



12 TEAK



34 MAPLE



18 WALNUT

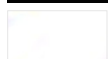


43 CATHEDRAL FREIJÓ

### Matte Lacquer



02 MATTE BLACK



07 WHITE



15 CAPPUCCINO



25 IRIDESCENT WHITE

### Metallic Lacquer



27 GOLD



30 OLIVE GREEN



33 BRONZE



38 PALE GOLD



39 LEAD GREY



40 SATIN BLUE

## Metal Rod Finishing <sup>②</sup>

The finishes in metal work are available on the following colors

02 MATTE BLACK

07 WHITE

15 CAPPUCCINO

25 IRIDESCENT WHITE

27 GOLD

30 OLIVE GREEN

33 BRONZE

38 PALE GOLD

39 LEAD GREY

40 SATIN BLUE

Observation: