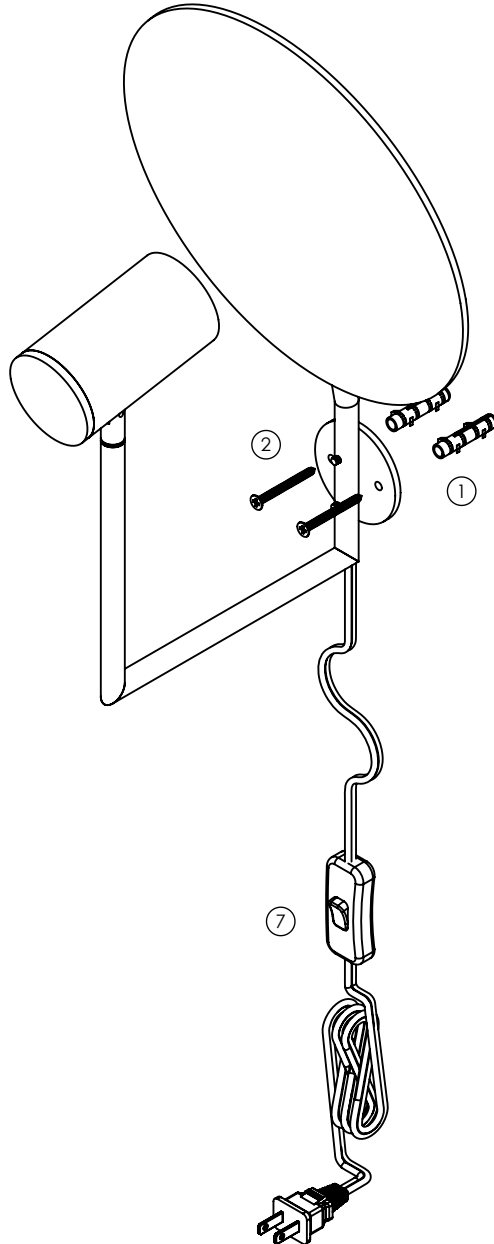
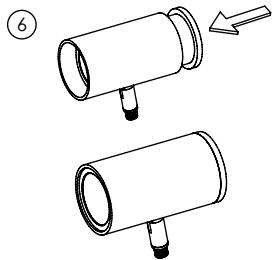
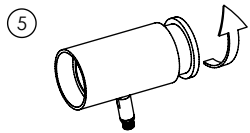
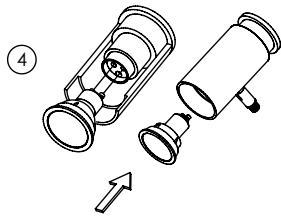
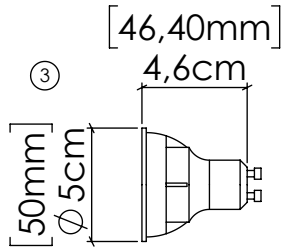


WARNING!



Be sure electrical power is OFF before and during installation or maintenance.
The luminaire must be installed by a qualified electrician, in accordance with all applicable local codes.

Ensure that the rated luminaire voltage requirements are compatible with the available mains supply in which it will be installed.
All LEDs are included in your lamp. Never touch the LED surface with your bare hands as this may reduce the life of your LED.
Do not alter, relocate or remove any electrical component.



Line: Dot
Family: Wall
Description: Dot Accord Wall Lamp 4129

Material: Natural Wood Veneer MDF and carbon steel
Weight:

MOUNTING ON THE FIXTURE

Turn OFF the power before start the installation.

Carefully remove all parts from the box along with any protective packing.

- ① Align and mark the position of the holes using the base as drilling template. Drill the holes with an 8mm drill bit and install the plastic dowels provided.
- ② Attach base to the wall using the supplied screws

MAKING ELECTRICAL CONNECTIONS

- ③ Purchase a GU-10 lightbulb following the indicated dimensions.
- ④ Align the contact tips of the bulb with the socket holes and push the bulb so that the socket support base undock.
- ⑤ Rotate the socket support base in the indicated way, holding the bulb so that it fits in the socket.
- ⑥ After the bulb is already connected to the socket, push the socket support base fitting it to the luminaire. With the socket support base docked to the luminaire, the bulb installation is finished.

Plug it into a proper electrical outlet.

Turn ON the electrical power.
Your luminaire is now ready for use.

- ⑦ Use the electrical switch to turn it ON/OFF.

ATTENTION!



FAILURE TO COMPLY WITH THESE INSTRUCTIONS MAY CAUSE ACCIDENTS AND LOSS OF PRODUCT WARRANTY.
It's recommended to read these instructions completely and carefully before proceeding.

SAVE THESE INSTRUCTIONS FOR FUTURE REFERENCE.

ACCORD Lighting guarantees coverage against manufacturing defects including electrical components and finishes, for a period of three years, under normal use, from the date of purchase. For warranty service, please contact your local dealer for further instructions. Proof of date of purchase will be required for validation of warranty service.

The responsibility of the manufacturer regarding the product warranty is related to the correct observation of the instructions contained in this manual. The manufacturer is not responsible for any damage to the product caused by accidents, alterations of any kind, improper usage or improper installation. See the website for additional warranty details.

ACCORD Lighting reserves the right to change the dimensions and specifications contained in this manual without prior notice, in accordance with its policy of continuous product improvement. Please, contact the manufacturer if additional information is necessary. The illustrations in this manual are for guidance only and may vary in scale, dimensions and model details.