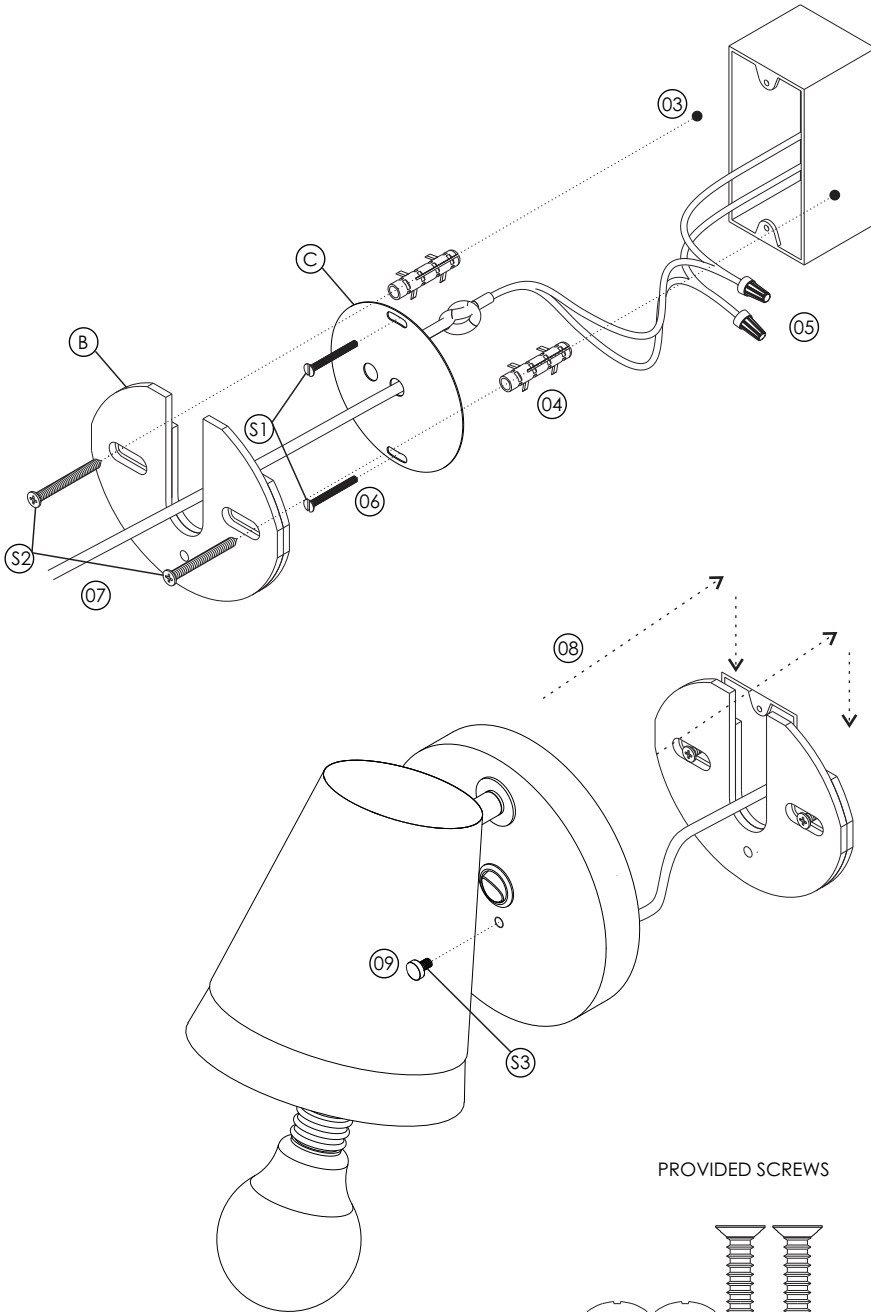


WARNING!



Be sure electrical power is OFF before and during installation or maintenance. The luminaire must be installed by a qualified electrician, in accordance with all applicable local codes.

Ensure that the rated luminaire voltage requirements are compatible with the available mains supply in which it will be installed. All LEDs are included in your lamp. Never touch the LED surface with your bare hands as this may reduce the life of your LED. Do not alter, relocate or remove any electrical component.



Line: Conical
Family: Wall
Description: Wall Accord Conical 4138/4199

Material: Natural Wood Veneer MDF and Acrylic
Weight:

Read carefully all the assembling instructions below and turn OFF energy power before starting the installation. This sconce must be installed over a 4x2" electrical box.

- 01 Remove the protecting package from the pieces taking care to not harm any parts with cutting surfaces or objects. Lay the parts of the fixture on some horizontal surface in order to connect them, if needed use the protecting package to soften the surface and protect the parts from getting scratched or harmed.
- 02 Once the protecting packages are removed, position the wall lamp in the desired point assuring about the correct orientation of the fixture.
- 03 With the installation location defined, use the structural base (B) as a template and make the marks on the wall where the holes must be done in order to fix the base. Take special care to make the holes in a secure distance from the electrical box.

- 04 With the markings done, use 8mm drills and make the holes on the wall, inserting the plastic bushing.

MAKING ELECTRICAL CONNECTIONS

- 05 Pass the energy cable through the electrical box cover (C) and make the electrical connections according with all applicable local codes. Insert the excess energy cable inside of the electrical box.
- 06 Fix the electrical box cover (C) on the electrical box using the provided screws (S1).
- 07 Screw the structural base (B) on the plastic bushing fixed in the wall using the provided screws (S2)
- 08 Fit the outer base of the wall lamp in the structural base.
- 09 Fix both bases fastening the provided screw (S3) until it is secure and stable.

Turn on energy power, your luminaire is ready for use.

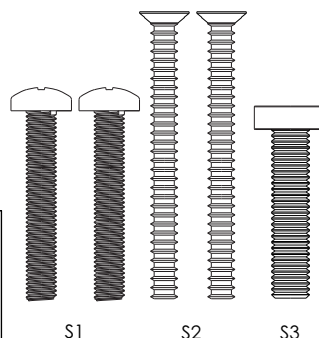
USER GUIDE

Use the hand switch located on the base of the fixture to turn the wall lamp ON and OFF.

Take care to not apply excessive strength moving the articulated dome, preserving the fixture's integrity.

It is recommended the use of an UL listed A-15 mini LED bulb compatible with the E-26 socket respecting the limit of 25W.

PROVIDED SCREWS



ATTENTION!
FAILURE TO COMPLY WITH THESE INSTRUCTIONS MAY CAUSE ACCIDENTS AND LOSS OF PRODUCT WARRANTY. Its recommended to read these instructions completely and carefully before proceeding.

SAVE THESE INSTRUCTIONS FOR FUTURE REFERENCE.

ACCORD Lighting guarantees coverage against manufacturing defects including electrical components and finishes, for a period of three years, under normal use, from the date of purchase. For warranty service, please contact your local dealer for further instructions. Proof of date of purchase will be required for validation of warranty service.

The responsibility of the manufacturer regarding the product warranty is related to the correct observation of the instructions contained in this manual. The manufacturer is not responsible for any damage to the product caused by accidents, alterations of any kind, improper usage or improper installation. See the website for additional warranty details.

ACCORD Lighting reserves the right to change the dimensions and specifications contained in this manual without prior notice, in accordance with its policy of continuous product improvement. Please, contact the manufacturer if additional information is necessary. The illustrations in this manual are for guidance only and may vary in scale, dimensions and model details.