

3042 [E-26]

Name: Balance Accord Floor Lamp 3042
 Collection: Balance
 Application: Floor Lamp
 Construction: Natural Wood Veneer, MDF and Carbon Steel

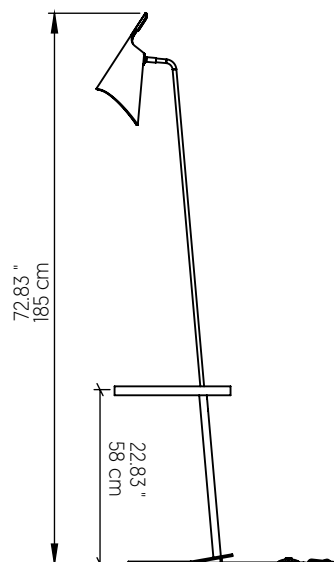
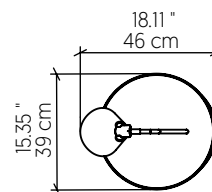
Fixture Image



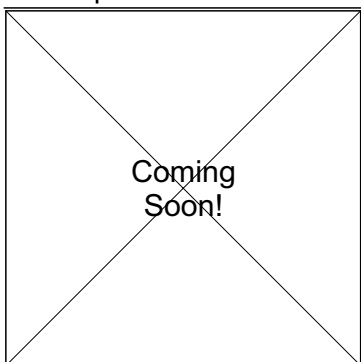
Specifications

Light Source: 1X 25W 120v-277v E26 (medium base)
 Light Bulbs not Included
 Color Temperature: Lamp dependent
 CRI: Lamp dependent
 Delivered Lumens: Lamp dependent
 Total Power: Lamp dependent
 Input Voltage: 110V - 277V
 Input Frequency: 60 Hz
 Canopy Dimension: N/A
 Height Adjustment Limit: N/A
 Weight: N/A

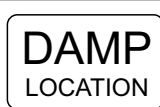
Technical Drawing



Photometric Graph



Standards



Item code

Finish Option ^①

Metal Work ^②

r

If Double Finish Option

Outside

Inside

01 Example: 7057.06.02r

7057

06

02r

Finishing Options ^①

Natural Wood



06 IMBUIA



09 LOURO FREIJÓ



12 TEAK



34 MAPLE



18 WALNUT



43 CATHEDRAL FREIJÓ

Matte Lacquer



02 MATTE BLACK



07 WHITE



15 CAPPUCCINO



25 IRIDESCENT WHITE

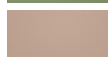
Metallic Lacquer



27 GOLD



30 OLIVE GREEN



33 BRONZE



38 PALE GOLD



39 LEAD GREY



40 SATIN BLUE

Metal Rod Finishing ^②

The finishes in metal work are available on the following colors

02 MATTE BLACK

07 WHITE

15 CAPPUCCINO

25 IRIDESCENT WHITE

27 GOLD

30 OLIVE GREEN

33 BRONZE

38 PALE GOLD

39 LEAD GREY

40 SATIN BLUE

Observation: