

INSTALLATION INSTRUCTION

217- Vanities & Wall Sconce

WS-21712



WARNING

IMPORTANT: NEVER attempt any work without shutting off the electricity.

- Read all instructions before installing.
- System is intended for installation by a qualified electrician in accordance with the National Electrical Code and local regulations.
- Go to the main fuse box, or circuit breaker. Place the main power switch in the "OFF" position and unscrew the fuse(s) or switch "OFF" the circuit breaker switch(es) that control the power to the fixture or room that you are working on.
- Place the wall switch in the "OFF" position.

CAUTION

- All parts must be used as indicated in these instructions. Do not substitute any parts, leave parts out, or use any parts that are worn out or broken. Failure to follow this instruction could invalidate the ETL/CETL listing of this fixture.
- CAUTION When handling the fixture, do not apply pressure to the LEDs. Hold the fixture by the base only.

AVERTISSEMENT

IMPORTANT : Coupez l'électricité avant TOUTE manipulation.

- Lisez toutes les instructions avant d'installer.
- Système est destiné à être installé par un électricien qualifié en conformité avec le code national de l'électricité et les règlements locaux.
- Accédez au panneau central de disjoncteurs ou de fusibles de votre demeure et placez l'interrupteur principal en position d'arrêt (« OFF »).
- Placez l'interrupteur mural en position d'arrêt (« OFF »).

MISE EN GARDE

- Toutes les pièces doivent être utilisées tel qu'il est indiqué dans ces instructions. Ne remplacez pas les pièces, n'en laissez pas de côté et ne les utilisez pas si elles sont usées ou brisées. Le non-respect de ces instructions peut annuler l'homologation ETL/CETL du luminaire.
- MISE EN GARDE Ors de la manipulation de l'appareil, ne pas appliquer de pression à la LED, tenir l'appareil par la seule base.

ADVERTENCIA

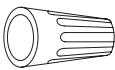

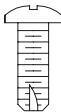

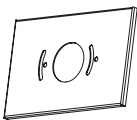


IMPORTANTE: NUNCA intente hacer trabajos sin desconectar el suministro eléctrico.

- Lea y comprenda todas las instrucciones e ilustraciones por completo antes de proceder con el ensamblaje e instalación de esta lámpara.
- Sistema está diseñado para ser instalado por un electricista calificado, de acuerdo con el código eléctrico nacional y las normas locales.
- Diríjase a la caja de fusibles o a la caja del interruptor de circuito principal en su hogar. Coloque el interruptor de alimentación principal en la posición "OFF" (APAGADO).
- Coloque el interruptor de la pared en la posición "OFF" (APAGADO).

PRECAUCIÓN

- Todas las piezas deben usarse como lo indican estas instrucciones. No reemplace las piezas, no omita piezas durante la instalación ni utilice piezas gastadas o rotas. El incumplimiento de esta indicación podría invalidar la calificación ETL/CETL esta lámpara.
- PRECAUCIÓN Al manipular el aparato, no aplique presión a los LED, mantenga el aparato en la base sólo.

HARDWARE

A	B	C	D	E	F	G
						
Wire Connector Qty: 5pcs+1Extra 7EAC112201 P3	Mounting Screw Qty:1 extra 7MPF0409S3 5/32"-32x3/8 Nickel Plating	Junction Box Screw Qty: 2pcs+1 extra 7MPF0415C2 #8-32x5/8 SS	Mounting Ring Qty:1 7MBC101501	Conversion Plate Qty: 1 4MBC121112CH 4MBC121112BN1	Assembly Screw Qty:2pcs+1 extra 7MPF0808C1 #8-32x3/8 SS	Driver Qty: 1 4LD-700MA16U-IS-P

modernforms.com
Phone (800) 526.2588
Fax (800) 526.2585

Headquarters/Eastern Distribution Center
44 Harbor Park Drive
Port Washington, NY 11050

Central Distribution Center
1600 Distribution Ct
Lithia Springs, GA 30122

Western Distribution Center
1750 Archibald Avenue
Ontario, CA 91760



INSTALLATION INSTRUCTION
217- Vanities & Wall Sconce
WS-21712



MODERN FORMS
 A WAC LIGHTING COMPANY

Fig.1 Mount on Switch Box

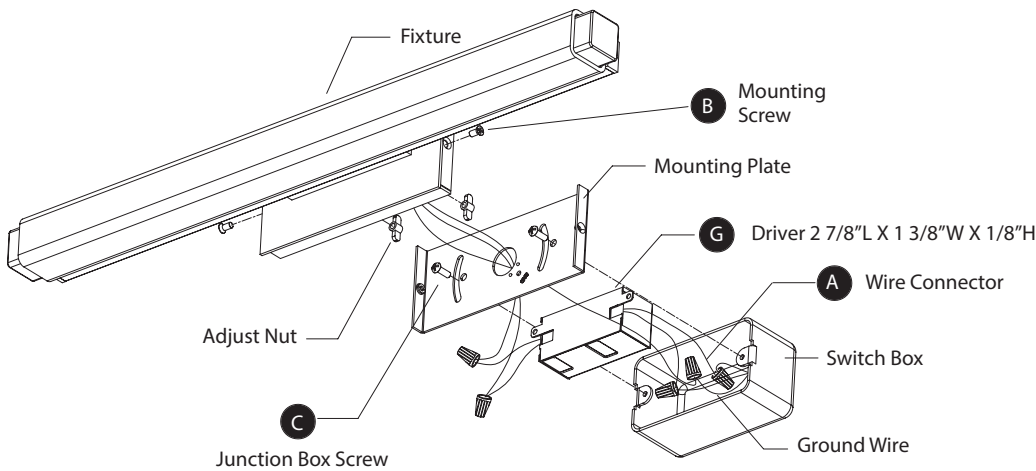


Fig.2 Mount on Junction Box

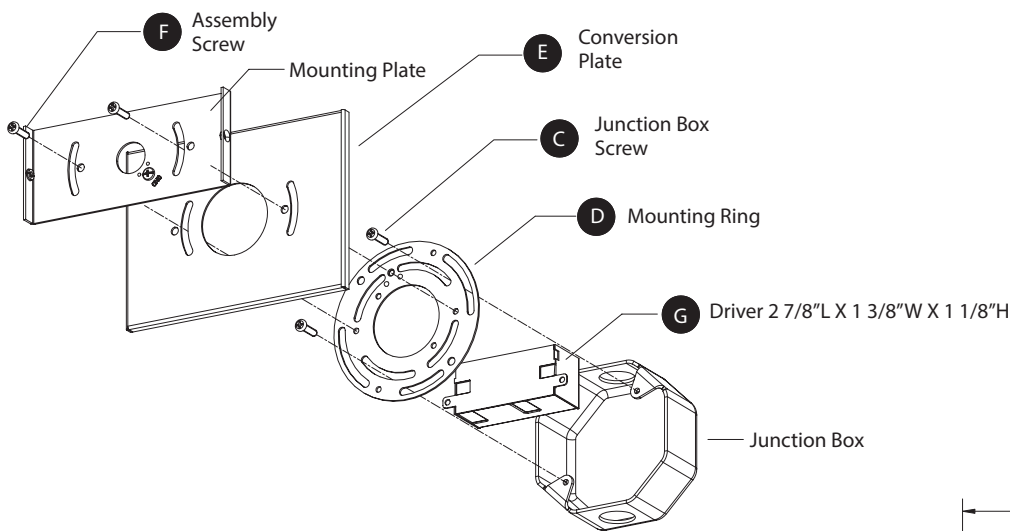
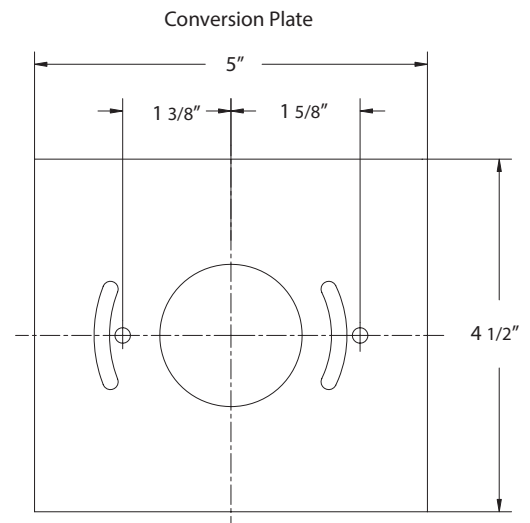
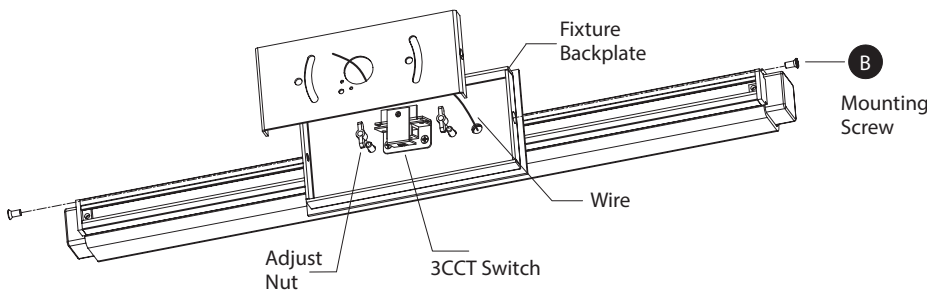


Fig.4



modernforms.com
 Phone (800) 526.2588
 Fax (800) 526.2585

Headquarters/Eastern Distribution Center
 44 Harbor Park Drive
 Port Washington, NY 11050

Central Distribution Center
 1600 Distribution Ct
 Lithia Springs, GA 30122

Western Distribution Center
 1750 Archibald Avenue
 Ontario, CA 91760



INSTALLATION INSTRUCTION

217- Vanities & Wall Sconce

WS-21712



PREPARATION

1. Shut off the power at the circuit breaker and remove existing fixture, including the crossbar.
2. Carefully unpack your new fixture and lay out all the parts on a clear area. Be careful not to lose any small parts necessary for installation.

INSTALLATION

MOUNT ON 2"X4" SWITCH BOX (Fig. 1)

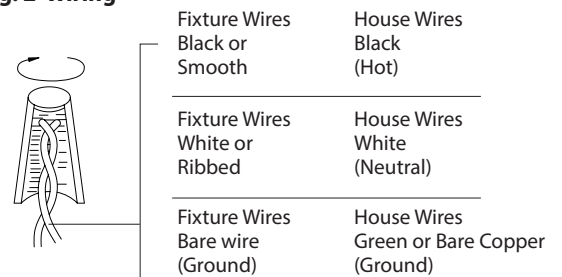
3. Remove the mounting screw (B) from the fixture.
 4. The lamp can switch between three color temperatures (2700K-3000K-3500K), which can be adjusted to your preference with the switch on the mounting plate. (Fig.3).
 5. Connect the driver (G) input wire to switch box wires as shown in Fig. 4, making sure that all wire connectors (A) are secured. if your outlet box has a green or bare cooper ground wire, connect the fixture's ground wire to it. Otherwise, connect the fixture's ground wire directly to the back plate using the screw provided. After wires are connected, tuck them carefully inside the switch box.
- * Required Driver to be recessed within the junction box.**
6. Secure the mounting plate to the switch box using the junction box screw (C). The side of the mounting plate marked "GND" must face out.
 7. The back plate location for this fixture is adjustable. First loosen both adjust nuts by turning counterclockwise. Second adjust the back plate to your desired location. Third, pull and tighten the electrical wire. Lastly, secure the back plate by turning both adjust nuts clockwise.
 8. Place the fixture over the mounting plate, and secure it with mounting screw (B).

OR

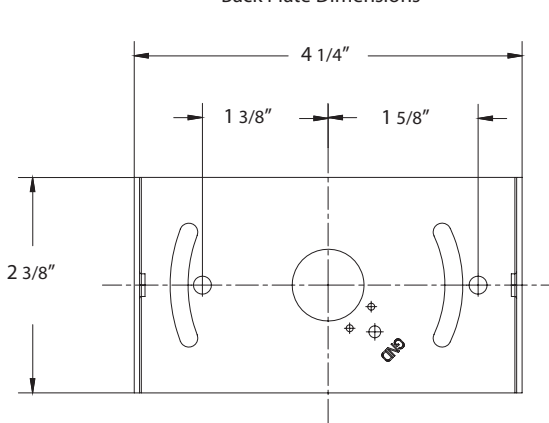
MOUNT ON 4"X4" JUNCTION BOX (Fig. 2)

3. Remove the mounting screw (B) from the fixture.
 4. The lamp can switch between three color temperatures (2700K-3000K-3500K), which can be adjusted to your preference with the switch on the mounting plate. (Fig.3).
 5. Connect the driver (G) input wire to switch box wires as shown in Fig. 4, making sure that all wire connectors (A) are secured. if your outlet box has a green or bare cooper ground wire, connect the fixture's ground wire to it. Otherwise, connect the fixture's ground wire directly to the back plate using the screw provided. After wires are connected, tuck them carefully inside the switch box.
- * Required Driver to be recessed within the junction box.**
6. Secure the mounting ring to the switch box using the junction box screw (C). Make sure the two holes (Spacing 2-3/4") are horizontal as shown in Fig. 2. The side of the mounting plate marked "GND" must face out.
 7. Secure the mounting plate and conversion plate (E) to the mounting ring with assembly screw (F)
 8. The back plate location for this fixture is adjustable. First loosen both adjust nuts by turning counterclockwise. Second adjust the back plate to your desired location. Third, pull and tighten the electrical wire. Lastly, secure the back plate by turning both adjust nuts clockwise.
 9. Place the fixture over the mounting plate, and secure it with mounting screw (B).

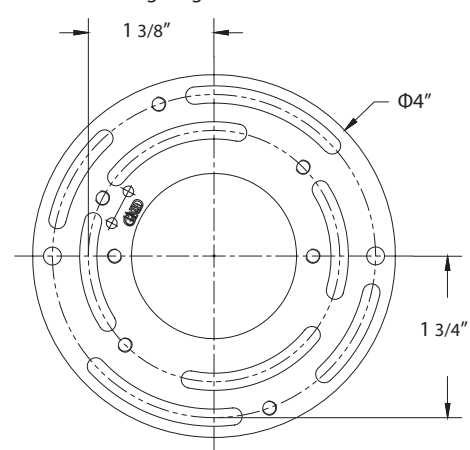
Fig. 2 Wiring



Back Plate Dimensions



Mounting Ring Dimensions



modernforms.com
Phone (800) 526.2588
Fax (800) 526.2585

Headquarters/Eastern Distribution Center
44 Harbor Park Drive
Port Washington, NY 11050

Central Distribution Center
1600 Distribution Ct
Lithia Springs, GA 30122

Western Distribution Center
1750 Archibald Avenue
Ontario, CA 91760



INSTALLATION INSTRUCTION

217 - LED Wall Sconce

WS-21718



MODERN FORMS
A WAC LIGHTING COMPANY

WARNING

IMPORTANT: NEVER attempt any work without shutting off the electricity.

- Read all instructions before installing.
- System is intended for installation by a qualified electrician in accordance with the National Electrical Code and local regulations.
- Go to the main fuse box, or circuit breaker. Place the main power switch in the "OFF" position and unscrew the fuse(s) or switch "OFF" the circuit breaker switch(es) that control the power to the fixture or room that you are working on.
- Place the wall switch in the "OFF" position.

CAUTION

- All parts must be used as indicated in these instructions. Do not substitute any parts, leave parts out, or use any parts that are worn out or broken. Failure to follow this instruction could invalidate the ETL/CETL listing of this fixture.
CAUTION When handling the fixture, do not apply pressure to the LEDs. Hold the fixture by the base only.

AVERTISSEMENT

IMPORTANT : Coupez l'électricité avant TOUTE manipulation.

- Lisez toutes les instructions avant d'installer.
- Système est destiné à être installé par un électricien qualifié en conformité avec le code national de l'électricité et les règlements locaux.
- Accédez au panneau central de disjoncteurs ou de fusibles de votre demeure et placez l'interrupteur principal en position d'arrêt (« OFF »).
- Placez l'interrupteur mural en position d'arrêt (« OFF »).

MISE EN GARDE

- Toutes les pièces doivent être utilisées tel qu'il est indiqué dans ces instructions. Ne remplacez pas les pièces, n'en laissez pas de côté et ne les utilisez pas si elles sont usées ou brisées. Le non-respect de ces instructions peut annuler l'homologation ETL/CETL du luminaire. MISE EN GARDE Ors de la manipulation de l'appareil, ne pas appliquer de pression à la LED, tenir l'appareil par la seule base.

ADVERTENCIA

IMPORTANTE: NUNCA intente hacer trabajos sin desconectar el suministro eléctrico.

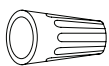
- Lea y comprenda todas las instrucciones e ilustraciones por completo antes de proceder con el ensamblaje e instalación de esta lámpara.
- Sistema está diseñado para ser instalado por un electricista calificado, de acuerdo con el código eléctrico nacional y las normas locales.
- Diríjase a la caja de fusibles o a la caja del interruptor de circuito principal en su hogar. Coloque el interruptor de alimentación principal en la posición "OFF" (APAGADO).
- Coloque el interruptor de la pared en la posición "OFF" (APAGADO).

PRECAUCIÓN

- Todas las piezas deben usarse como lo indican estas instrucciones. No reemplace las piezas, no omita piezas durante la instalación ni utilice piezas gastadas o rotas. El incumplimiento de esta indicación podría invalidar la calificación ETL/CETL esta lámpara. PRECAUCIÓN Al manipular el aparato, no aplique presión a los LED, mantenga el aparato en la base sólo.

HARDWARE

A1



Wire Connector
Qty: 5 pcs + 1 Extra
7EAC112201
P3

B1



Mounting Screw
Qty: 1 Extra
7MPF0409S3
5/32 - 32x3/8
Nickel Plating

C1



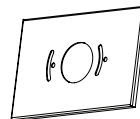
Junction Box Screw
Qty: 2 pcs + 1 Extra
7MPF0415C2
#8 - 32x5/8 SS

D1



Mounting Ring
Qty: 1 pc
7MBC101501

E1



Conversion Plate
Qty: 1 pc
4MBC151110CH
4MBC151110BN1

F1



Assembly Screw
Qty: 2 pcs + 1 Extra
7MPF0808C1
#8 - 32x3/8 SS

G1



Driver
Qty: 1 pc
4LD-700MA28U-IS-P

modernforms.com
Phone (800) 526.2588
Fax (800) 526.2585

Headquarters/Eastern Distribution Center
44 Harbor Park Drive
Port Washington, NY 11050

Central Distribution Center
1600 Distribution Ct
Lithia Springs, GA 30122

Western Distribution Center
1750 Archibald Avenue
Ontario, CA 91760



INSTALLATION INSTRUCTION
217 - LED Wall Sconce
 WS-21718



MODERN FORMS
 A WAC LIGHTING COMPANY

FIG. 1 MOUNT ON SWITCH BOX

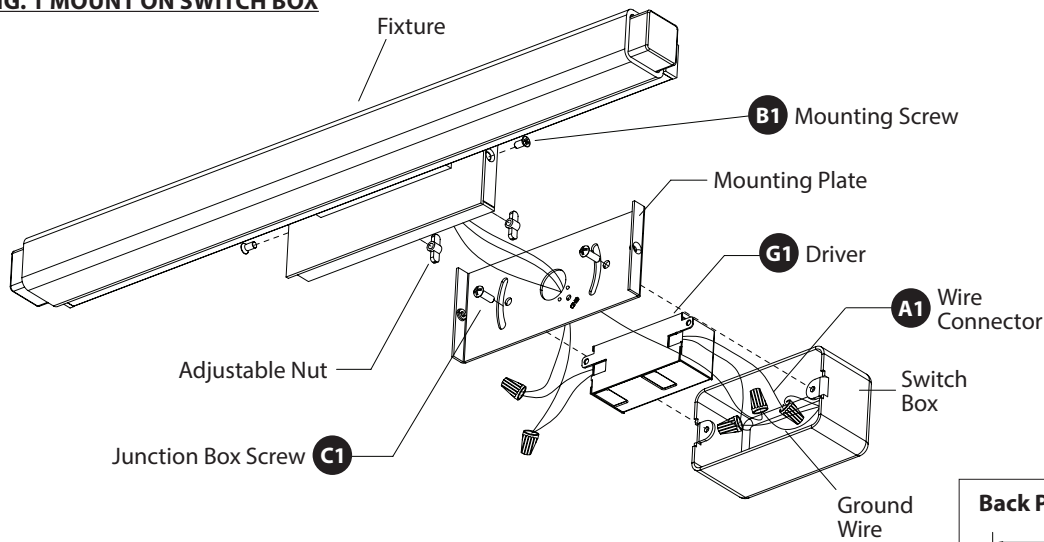


FIG. 2 MOUNT ON JUNCTION BOX

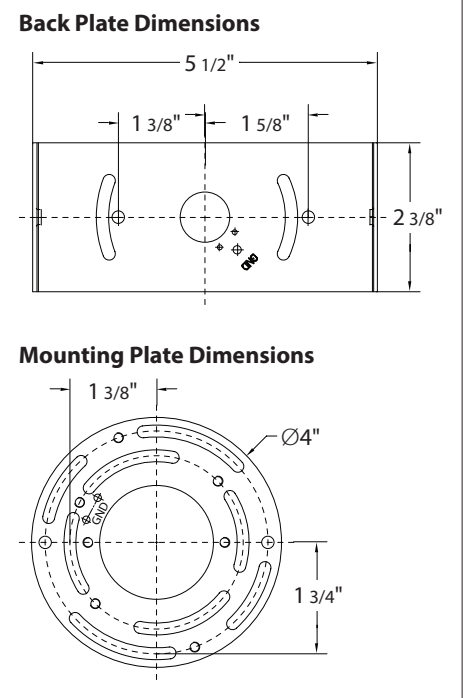
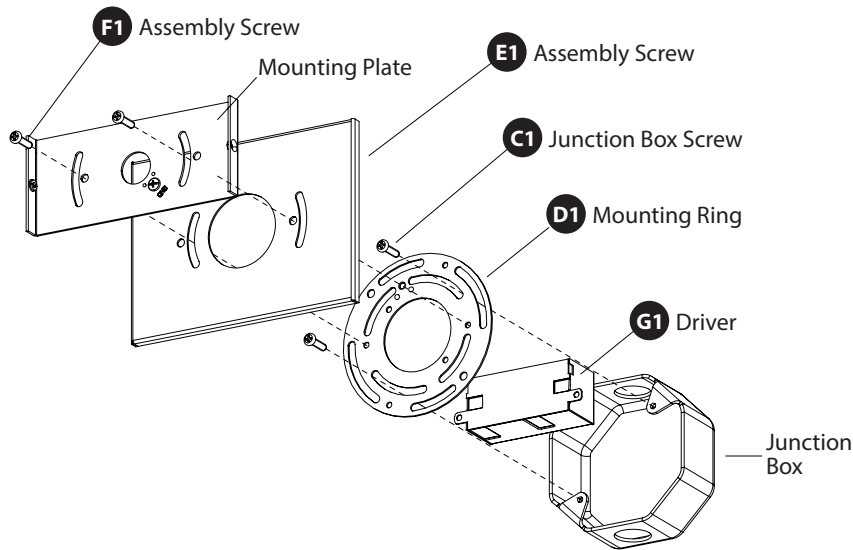
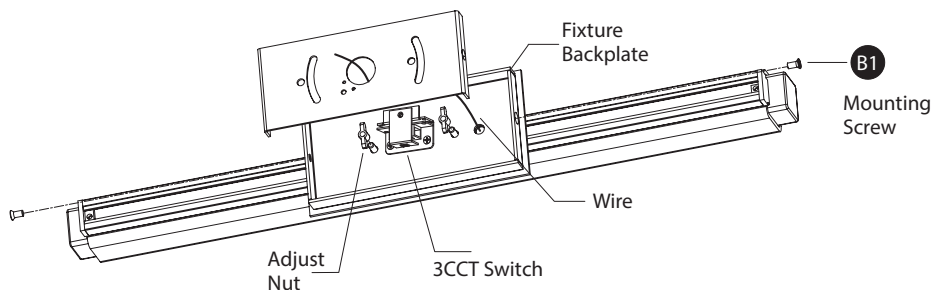


FIG. 3



modernforms.com
 Phone (800) 526.2588
 Fax (800) 526.2585

Headquarters/Eastern Distribution Center
 44 Harbor Park Drive
 Port Washington, NY 11050

Central Distribution Center
 1600 Distribution Ct
 Lithia Springs, GA 30122

Western Distribution Center
 1750 Archibald Avenue
 Ontario, CA 91760



INSTALLATION INSTRUCTION

217 - LED Wall Sconce

WS-21718



PREPARATION

1. Shut off the power at the circuit breaker and remove existing fixture, including the crossbar.
2. Carefully unpack your new fixture and lay out all the parts on a clear area. Be careful not to lose any small parts necessary for installation.

INSTALLATION

MOUNT ON SWITCH BOX (Fig. 1)

3. Remove the mounting screws (B1) from the fixture.
4. The lamp can switch between three color temperatures (2700K-3000K-3500K), which can be adjusted to your preference with the switch on the mounting plate. (Fig.3).
5. Connect the driver (G) input wire to switch box wires as shown in Fig. 4, making sure that all wire connectors (A) are secured. if your outlet box has a green or bare cooper ground wire, connect the fixture's ground wire to it. Otherwise, connect the fixture's ground wire directly to the back plate using the screw provided. After wires are connected, tuck them carefully inside the switch box.

***Requires Driver to be recessed within the switch box.**

6. Secure the mounting plate to the switch box using the junction box screws (C1). The side of the mounting plate marked "GND" must face out.
7. The back plate location for this fixture is adjustable.
First, loosen both adjustable nuts by turning counterclockwise.
Second, adjust the back plate to your desired location.
Third, pull and tighten the electrical wire.
Lastly, secure the back plate by turning both adjustable nuts clockwise.
8. Place the fixture over the mounting plate, and secure it with mounting screws (B1).

OR

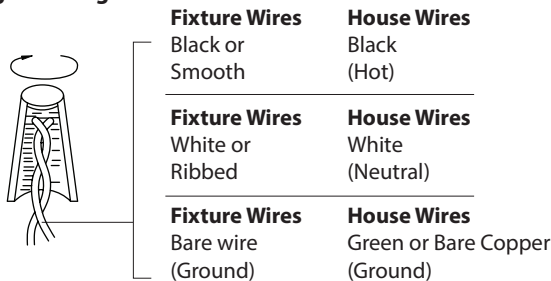
MOUNT ON JUNCTION BOX (Fig. 2)

3. Remove the mounting screws (B1) from the fixture.
4. The lamp can switch between three color temperatures (2700K-3000K-3500K), which can be adjusted to your preference with the switch on the mounting plate. (Fig.3).
5. Connect the driver (G) input wire to switch box wires as shown in Fig. 4, making sure that all wire connectors (A) are secured. if your outlet box has a green or bare cooper ground wire, connect the fixture's ground wire to it. Otherwise, connect the fixture's ground wire directly to the back plate using the screw provided. After wires are connected, tuck them carefully inside the switch box.

***Requires Driver to be recessed within the junction box.**

6. Secure the mounting ring (D1) to the switch box using the junction box screws (C1). Make sure the two holes (Spacing 2-3/4") are horizontal as shown in Fig. 2. The side of the mounting plate marked "GND" must face out.
7. Secure the mounting plate and conversion plate (E1) to the mounting ring with assembly screw (F1).
8. The back plate location for this fixture is adjustable.
First, loosen both adjustable nuts by turning counterclockwise.
Second, adjust the back plate to your desired location.
Third, pull and tighten the electrical wire.
Lastly, secure the back plate by turning both adjustable nuts clockwise.
9. Place the fixture over the mounting plate, and secure it with mounting screws (B1).

Fig. 4 Wiring



INSTALLATION INSTRUCTION

217 - LED Wall Sconce

WS-21724 / WS-21736



MODERN FORMS
A WAC LIGHTING COMPANY

WARNING

IMPORTANT: NEVER attempt any work without shutting off the electricity.

- Read all instructions before installing.
- System is intended for installation by a qualified electrician in accordance with the National Electrical Code and local regulations.
- Go to the main fuse box, or circuit breaker. Place the main power switch in the "OFF" position and unscrew the fuse(s) or switch "OFF" the circuit breaker switch(es) that control the power to the fixture or room that you are working on.
- Place the wall switch in the "OFF" position.

CAUTION

- All parts must be used as indicated in these instructions. Do not substitute any parts, leave parts out, or use any parts that are worn out or broken. Failure to follow this instruction could invalidate the ETL/CETL listing of this fixture.
CAUTION When handling the fixture, do not apply pressure to the LEDs. Hold the fixture by the base only.

AVERTISSEMENT

IMPORTANT : Coupez l'électricité avant TOUTE manipulation.

- Lisez toutes les instructions avant d'installer.
- Système est destiné à être installé par un électricien qualifié en conformité avec le code national de l'électricité et les règlements locaux.
- Accédez au panneau central de disjoncteurs ou de fusibles de votre demeure et placez l'interrupteur principal en position d'arrêt (« OFF »).
- Placez l'interrupteur mural en position d'arrêt (« OFF »).

MISE EN GARDE

- Toutes les pièces doivent être utilisées tel qu'il est indiqué dans ces instructions. Ne remplacez pas les pièces, n'en laissez pas de côté et ne les utilisez pas si elles sont usées ou brisées. Le non-respect de ces instructions peut annuler l'homologation ETL/CETL du luminaire. MISE EN GARDE Ors de la manipulation de l'appareil, ne pas appliquer de pression à la LED, tenir l'appareil par la seule base.

ADVERTENCIA

IMPORTANTE: NUNCA intente hacer trabajos sin desconectar el suministro eléctrico.

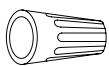
- Lea y comprenda todas las instrucciones e ilustraciones por completo antes de proceder con el ensamblaje e instalación de esta lámpara.
- Sistema está diseñado para ser instalado por un electricista calificado, de acuerdo con el código eléctrico nacional y las normas locales.
- Diríjase a la caja de fusibles o a la caja del interruptor de circuito principal en su hogar. Coloque el interruptor de alimentación principal en la posición "OFF" (APAGADO).
- Coloque el interruptor de la pared en la posición "OFF" (APAGADO).

PRECAUCIÓN

- Todas las piezas deben usarse como lo indican estas instrucciones. No reemplace las piezas, no omita piezas durante la instalación ni utilice piezas gastadas o rotas. El incumplimiento de esta indicación podría invalidar la calificación ETL/CETL esta lámpara. PRECAUCIÓN Al manipular el aparato, no aplique presión a los LED, mantenga el aparato en la base sólo.

HARDWARE

A1



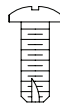
Wire Connector
Qty: 5 pcs + 1 Extra
7EAC112201
P3

B1



Mounting Screw
Qty: 1 Extra
7MPF0409S3
5/32 - 32x3/8
Nickel Plating

C1



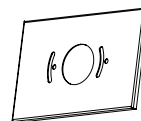
Junction Box Screw
Qty: 2 pcs + 1 Extra
7MPF0415C2
#8 - 32x5/8 SS

D1



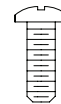
Mounting Ring
Qty: 1 pc
7MBC101501

E1



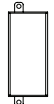
Conversion Plate
Qty: 1 pc
4MBC171111CH
4MBC171111BN1
4MBC201105CH
4MBC201105BN1

F1



Assembly Screw
Qty: 2 pcs + 1 Extra
7MPF0808C1
#8 - 32x3/8 SS

G1



Driver
Qty: 1 pc
4LD-700MA28U-IS-P

modernforms.com
Phone (800) 526.2588
Fax (800) 526.2585

Headquarters/Eastern Distribution Center
44 Harbor Park Drive
Port Washington, NY 11050

Central Distribution Center
1600 Distribution Ct
Lithia Springs, GA 30122

Western Distribution Center
1750 Archibald Avenue
Ontario, CA 91760



INSTALLATION INSTRUCTION
217 - LED Wall Sconce
 WS-21724 / WS-21736

FIG. 1 MOUNT ON SWITCH BOX

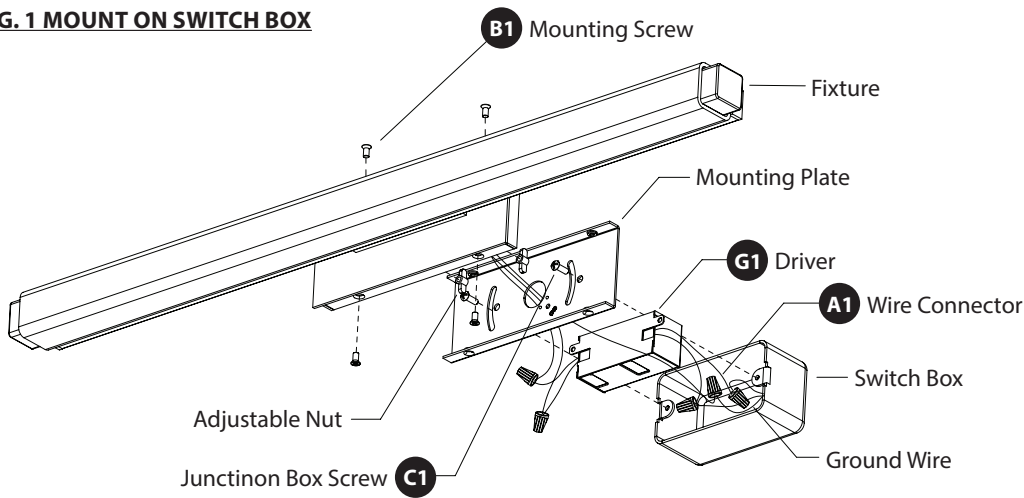
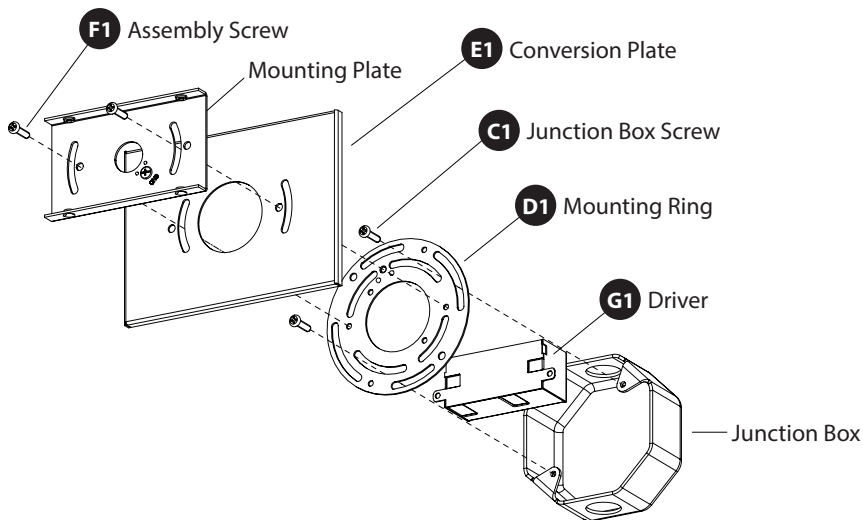
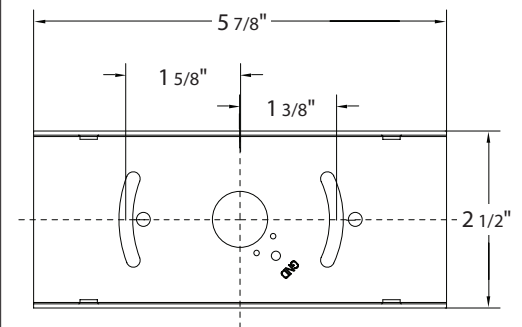


FIG. 2 MOUNT ON JUNCTION BOX



Back Plate Dimensions



Mounting Plate Dimensions

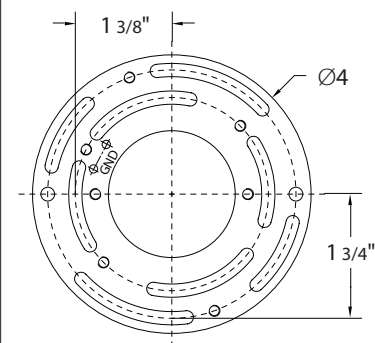
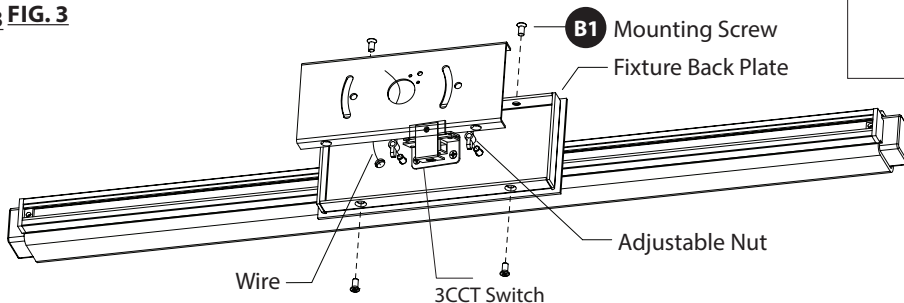


FIG. 3 FIG. 3



modernforms.com
 Phone (800) 526.2588
 Fax (800) 526.2585

Headquarters/Eastern Distribution Center
 44 Harbor Park Drive
 Port Washington, NY 11050

Central Distribution Center
 1600 Distribution Ct
 Lithia Springs, GA 30122

Western Distribution Center
 1750 Archibald Avenue
 Ontario, CA 91760



INSTALLATION INSTRUCTION

217 - LED Wall Sconce

WS-21724 / WS-21736



MODERN FORMS
A WAC LIGHTING COMPANY

PREPARATION

1. Shut off the power at the circuit breaker and remove existing fixture, including the crossbar.
2. Carefully unpack your new fixture and lay out all the parts on a clear area. Be careful not to lose any small parts necessary for installation.

INSTALLATION

MOUNT ON SWITCH BOX (Fig. 1)

3. Remove the mounting screws (B1) from the fixture.
4. The lamp can switch between three color temperatures (2700K-3000K-3500K), which can be adjusted to your preference with the switch on the mounting plate. (Fig.3).
5. Connect the driver (G) input wire to switch box wires as shown in Fig. 4, making sure that all wire connectors (A) are secured. If your outlet box has a green or bare copper ground wire, connect the fixture's ground wire to it. Otherwise, connect the fixture's ground wire directly to the back plate using the screw provided. After wires are connected, tuck them carefully inside the switch box.

***Requires Driver to be recessed within the switch box.**

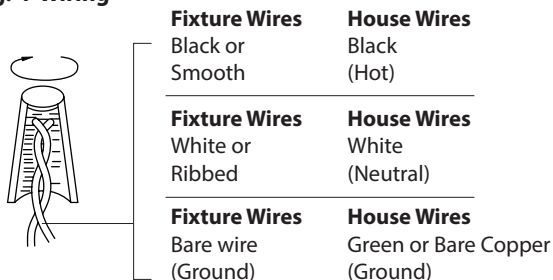
6. Secure the mounting plate to the switch box using the junction box screws (C1). The side of the mounting plate marked "GND" must face out.
7. The back plate location for this fixture is adjustable.
First, loosen both adjustable nuts by turning counterclockwise.
Second, adjust the back plate to your desired location.
Third, pull and tighten the electrical wire.
Lastly, secure the back plate by turning both adjustable nuts clockwise.
8. Place the fixture over the mounting plate, and secure it with mounting screws (B1).

OR

MOUNT ON JUNCTION BOX (Fig. 2)

3. Remove the mounting screws (B1) from the fixture.
 4. The lamp can switch between three color temperatures (2700K-3000K-3500K), which can be adjusted to your preference with the switch on the mounting plate. (Fig.3).
 5. Connect the driver (G) input wire to switch box wires as shown in Fig. 4, making sure that all wire connectors (A) are secured. If your outlet box has a green or bare copper ground wire, connect the fixture's ground wire to it. Otherwise, connect the fixture's ground wire directly to the back plate using the screw provided. After wires are connected, tuck them carefully inside the switch box.
- *Requires Driver to be recessed within the junction box.**
6. Secure the mounting ring (D1) to the switch box using the junction box screws (C1). Make sure the two holes (Spacing 2-3/4") are horizontal as shown in **Fig. 2**. The side of the mounting plate marked "GND" must face out.
 7. Secure the mounting plate and conversion plate (E1) to the mounting ring with assembly screw (F1).
 8. The back plate location for this fixture is adjustable.
First, loosen both adjustable nuts by turning counterclockwise.
Second, adjust the back plate to your desired location.
Third, pull and tighten the electrical wire.
Lastly, secure the back plate by turning both adjustable nuts clockwise.
 9. Place the fixture over the mounting plate, and secure it with mounting screws (B1).

Fig. 4 Wiring



modernforms.com
Phone (800) 526.2588
Fax (800) 526.2585

Headquarters/Eastern Distribution Center
44 Harbor Park Drive
Port Washington, NY 11050

Central Distribution Center
1600 Distribution Ct
Lithia Springs, GA 30122

Western Distribution Center
1750 Archibald Avenue
Ontario, CA 91760



INSTALLATION INSTRUCTION

Trimless Junction Box Cover

MKCP-3040-WT

MODERN FORMS

CAUTION: TO PREVENT ELECTRICAL SHOCK, ENSURE ELECTRICITY HAS BEEN TURNED OFF AT THE CIRCUIT BREAKER BEFORE BEGINNING.

- Read all instructions before installing.
- System is intended for installation by a licensed electrician in accordance with the National Electrical Code (NEC) and local regulations.
- When handling the fixture, do not apply pressure to the LEDs. Hold the fixture by the base only.
- Retain installation instructions for future maintenance reference.

WARNING: All parts must be used as indicated in these instructions. This product is designed for use only with the supplied parts and/or accessories designated for use by Modern Forms. Substitution of parts or accessories not designated for use with this product by Modern Forms could result in personal injury or property damage, and will void the warranty. Contact an authorized dealer or the manufacturer if any parts are damaged or missing.

MISE EN GARDE: POUR ÉVITER TOUT CHOC ÉLECTRIQUE, ASSUREZ-VOUS QUE LE DISJONCTEUR SOIT MIS HORS TENSION AVANT DE COMMENCER.

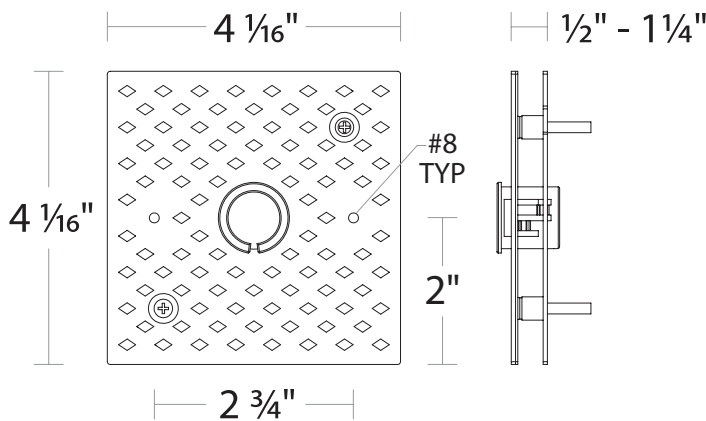
- Lisez toutes les instructions avant l'installation.
- Le système doit être installé par un électricien licencié conformément au code national de l'électricité (NEC), et également aux règlements locaux.
- Lors de la manipulation du luminaire, n'appuyez pas sur les LED. Tenez-le uniquement par la base.

ATTENTION: Toutes les pièces doivent être utilisées comme indiqué dans ces instructions. Ce produit est conçu pour être utilisé seulement avec les pièces et/ou accessoires fournis pour être utilisés avec les produits Modern Forms. Remplacer des pièces ou accessoires non conçus pour ce produit Modern Forms pourrait causer des dommages corporels ou matériels et pourrait également causer l'annulation de la garantie. Veuillez contacter un revendeur autorisé ou le fabricant si des pièces manquent ou sont endommagées.

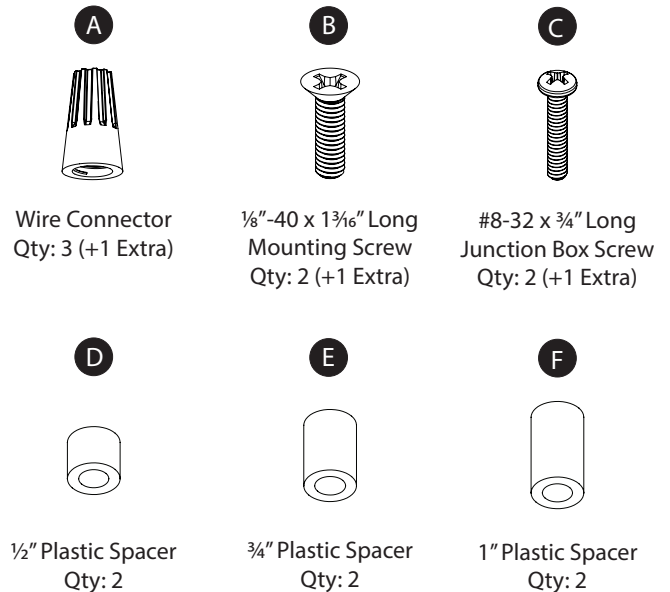
COMPONENT OVERVIEW

The trimless junction box cover is intended for installation to NEC approved 4" square junction boxes recessed in drywall and flush with the support structure. It may be covered with spackle and/or plaster to conceal junction box visibility. It is to be connected to compatible Modern Forms fixtures. Refer to specifications for more information.

OVERALL COMPONENT DIMENSIONS



HARDWARE



NOTE: This accessory is supplied with an optional mounting C-ring for fixture connection via 7/8" K.O. hole. This component may be omitted from the installation if mounting fixtures using #8 screw holes.

modernforms.com
Phone (800) 526.2588
Fax (800) 526.2585

Headquarters/Eastern Distribution Center
44 Harbor Park Drive
Port Washington, NY 11050

Central Distribution Center
1600 Distribution Ct
Lithia Springs, GA 30122

Western Distribution Center
1750 Archibald Avenue
Ontario, CA 91760



INSTALLATION INSTRUCTION

Trimless Junction Box Cover

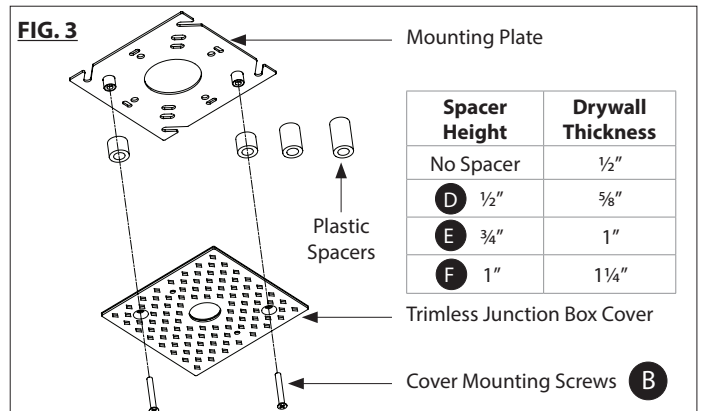
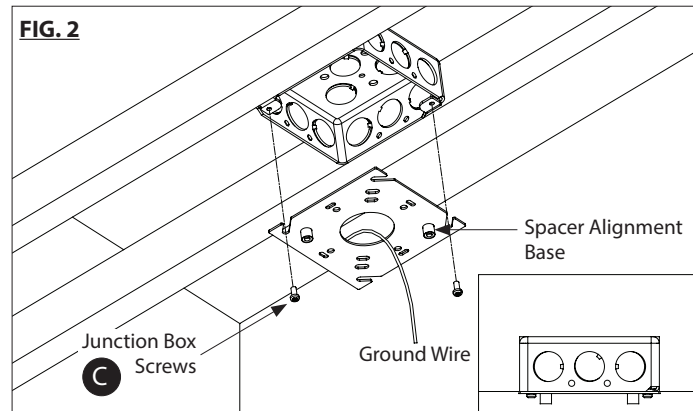
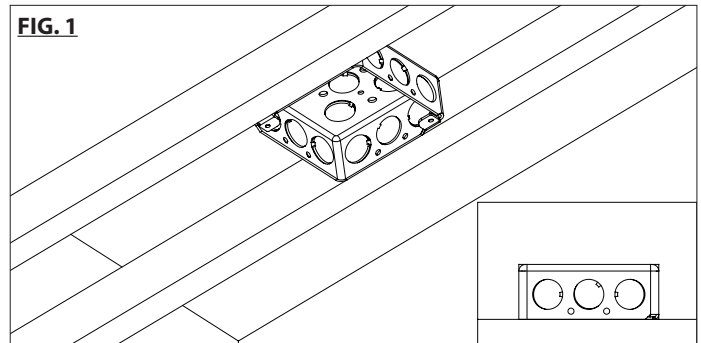
MKCP-3040-WT

MODERN FORMS

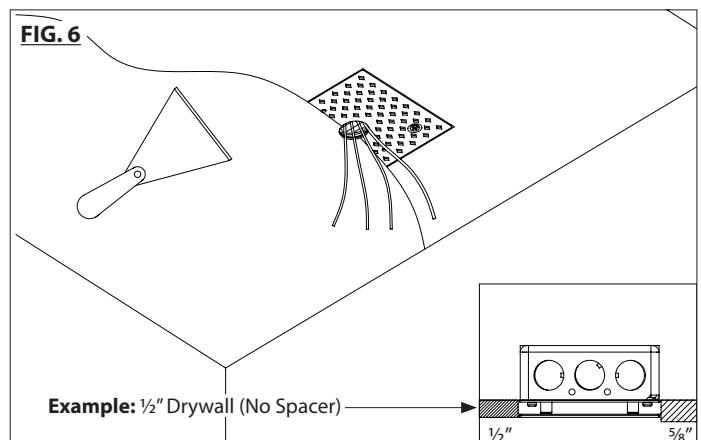
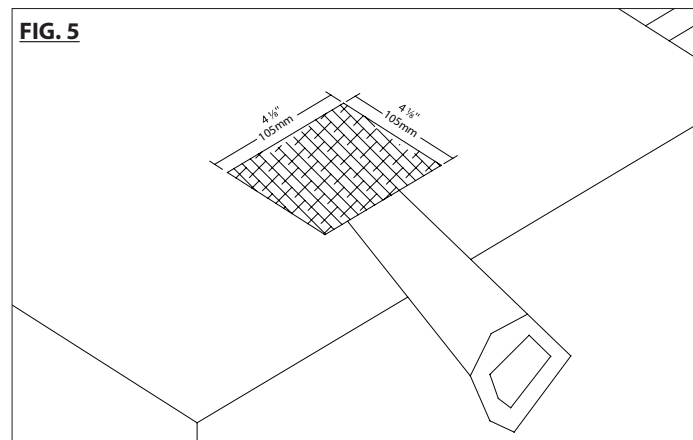
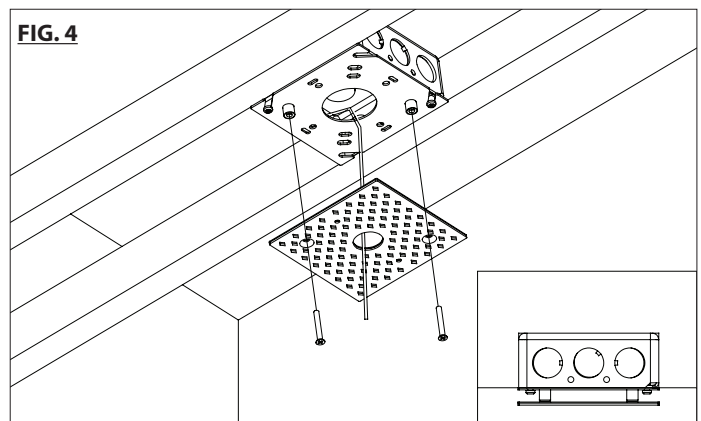
TRIMLESS JUNCTION BOX COVER INSTALLATION:

The trimless junction box cover is compatible with NEC approved 4" square junction boxes recessed in drywall and flush with the support structure.

1. Install compatible junction box (by others) to the framing structure. Ensure the junction box is flush with the base or front of framing structure (See **FIG. 1**).
2. Install the mounting plate to the junction box (See **FIG. 2**). Ensure the spacer alignment base is facing outward.



3. Determine the drywall thickness and select the appropriate spacer to install between the mounting plate and the trimless junction box cover (See **FIG. 3**).
NOTE: Only 1 matching pair of spacers are to be used per installation.
4. Using the mounting screws provided, attach the trimless junction box cover to the mounting plate (See **FIG. 4**).
5. Make a 4 1/8" square cutout in drywall at the intended trimless junction box cover location and proceed to install to framing structure (See **FIG. 5**). Apply and finish spackle up to the center hole of trimless junction box cover. Ensure #8 holes on the cover are free of spackle. (See **FIG. 6**).



modernforms.com
Phone (800) 526.2588
Fax (800) 526.2585

Headquarters/Eastern Distribution Center
44 Harbor Park Drive
Port Washington, NY 11050

Central Distribution Center
1600 Distribution Ct
Lithia Springs, GA 30122

Western Distribution Center
1750 Archibald Avenue
Ontario, CA 91760



INSTALLATION INSTRUCTION

Trimless Junction Box Cover

MKCP-3040-WT

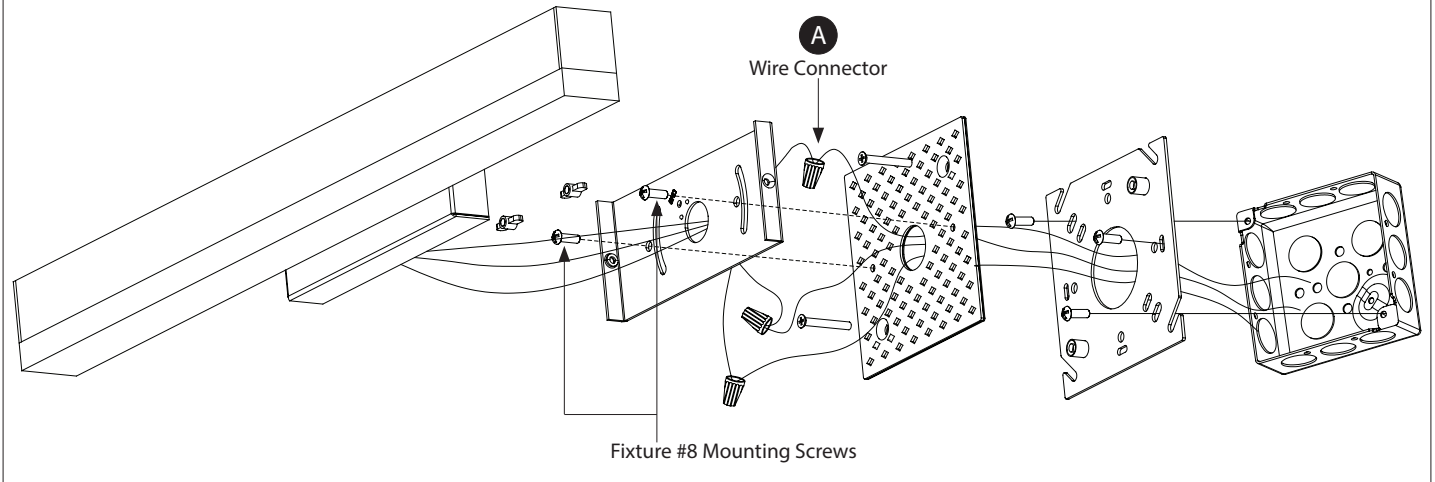
MODERN FORMS

FIXTURE INSTALLATION TO JUNCTION BOX COVER:

The trimless junction box cover features two #8 holes which may be used to mount fixtures:

1. Make appropriate splice connections. Wiring may be placed inside the fixture or pushed into the junction box.
2. Using #8 mounting screws supplied with the lighting fixture, attach the fixtures to the #8 holes on the trimless junction box cover. Apply fixture cover or lensing (where applicable) to complete the installation. (See **FIG. 7**).

FIG. 7



modernforms.com
Phone (800) 526.2588
Fax (800) 526.2585

Headquarters/Eastern Distribution Center
44 Harbor Park Drive
Port Washington, NY 11050

Central Distribution Center
1600 Distribution Ct
Lithia Springs, GA 30122

Western Distribution Center
1750 Archibald Avenue
Ontario, CA 91760

