

INSTALLATION INSTRUCTION
4" Low Voltage - Directional Spot
HR-D416

WAC LIGHTING
Responsible Lighting®

SAFETY INSTRUCTION

IMPORTANT: NEVER attempt any work without shutting off the electricity.

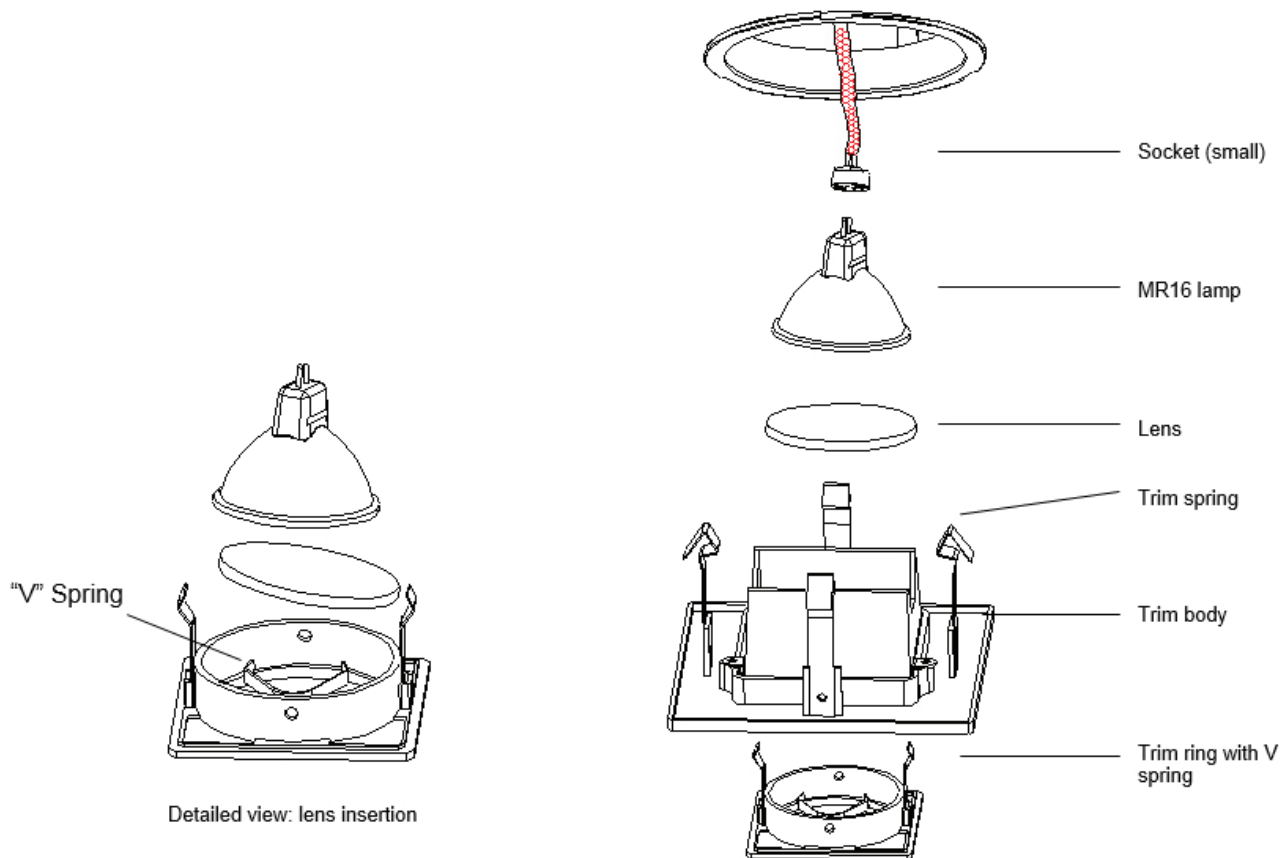
- Read all instructions before installing.
- For installation by a qualified electrician.
- System is intended for installation in accordance with National Electric Code, and local regulations. Consult with local inspector to assure compliance.
- To reduce the risk of fire, electrical shock and injuries to persons, turn off power at main switch before installing or modifying the system.
- Warning: (Risk of fire) do not install insulation within 3 inches of fixture sides, or junction box, or in a manner to entrap heat.
- Retain instructions for future maintenance reference.

OVERVIEW

Trims fit housings from the HR-8400 series. Housing type and trim selection will determine maximum wattage; consult catalog or spec sheet for compatibility.

INSTALLING LAMP AND TRIM:

1. Install the trim ring to the trim body by snapping it in place.
2. From the rear of the trim, install the clear glass lens (supplied) followed by an MR16 lamp.
3. The lamp is secured by pressing it into the "V" shaped spring while pushing downward.
4. Disconnect the socket supplied with the housing, (at the terminal block inside the can). Use the smaller socket supplied with the trim. Push socket gently on to the pins of the MR16 lamp.
5. Push the trim springs into the housing until the trim ring is flush against the ceiling.



WAC Lighting
www.waclighting.com
Phone (800) 526.2588 • Fax (800) 526.2585

Headquarters/Eastern Distribution Center
44 Harbor Park Drive • Port Washington, NY 11050
Phone (516) 515.5000 • Fax (516) 515.5050

Western Distribution Center
1750 Archibald Ave • Ontario, CA 91761
Phone (800) 526.2588 • Fax (800) 526.2585