

INSTALLATION INSTRUCTION

4" Low Voltage - Directional Spot

HR-D425

WAC LIGHTING
Responsible Lighting®

SAFETY INSTRUCTION

IMPORTANT: NEVER attempt any work without shutting off the electricity.

- Read all instructions before installing.
- For installation by a qualified electrician.
- System is intended for installation in accordance with National Electric Code, and local regulations. Consult with local inspector to assure compliance.
- To reduce the risk of fire, electrical shock and injuries to persons, turn off power at main switch before installing or modifying the system.
- Warning: (Risk of fire) do not install insulation within 3 inches of fixture sides, or junction box, or in a manner to entrap heat.
- Retain instructions for future maintenance reference.

OVERVIEW:

Trims fit housings from the HR-8400 series. Housing type and trim selection will determine maximum wattage; consult catalog or spec sheet for compatibility.

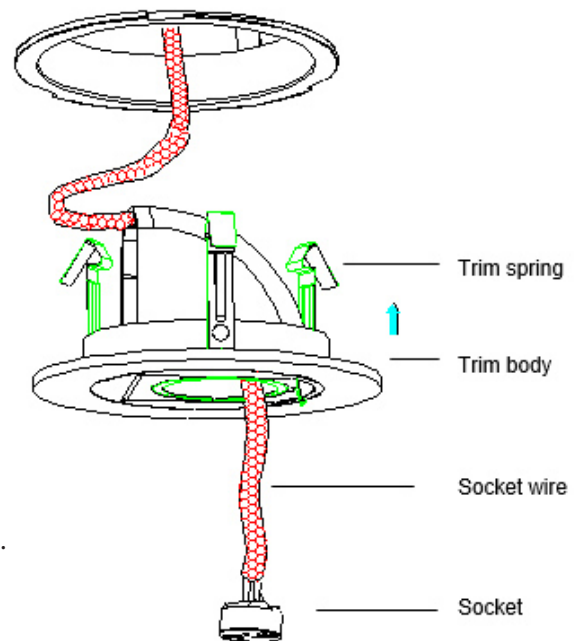
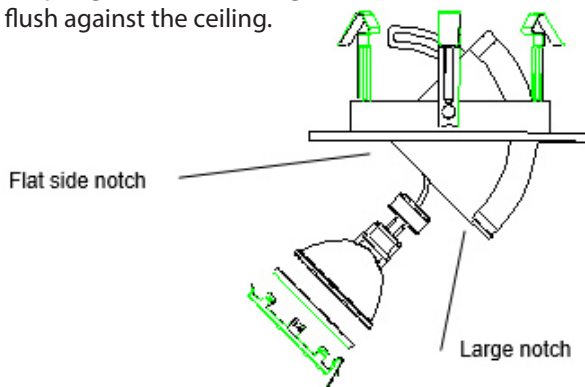
SOCKET REPLACEMENT :

Replace the socket supplied with the housing with the socket supplied with the trim.

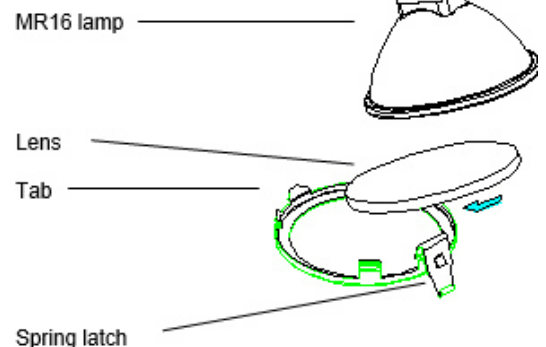
Replacement socket SKU: HT-SOCKET-WT

INSTALLING LAMP AND TRIM:

1. Allow the porcelain socket to pass through the opening of the trim and hang temporarily.
2. Push the trim assembly into the housing until the trim ring is flush against the ceiling.
3. Bring socket outside the lamp opening.
4. Install glass lens (supplied) into the retainer ring, followed by an MR-16 lamp placed on top of the glass. The retainer ring will hold lamp and glass together.
5. Attach the socket from the housing to the MR-16 lamp by pushing the pins of the lamp gently on to the porcelain socket.
6. Tighten the two socket screws securing the socket to the lamp pins.
7. Place the tab in the notch on the flat edge trim, then pivot the spring latch into the large notch in the curved edge, until it seats with a click.
8. Attach the socket from the housing by pushing gently on to the pins of the MR16 lamp.
9. Push the trim springs into the housing until the trim ring is flush against the ceiling.



Lens retaining ring detail:



wacighting.com
Phone (800) 526.2588
Fax (800) 526.2585

Headquarters/Eastern Distribution Center
44 Harbor Park Drive
Port Washington, NY 11050

Central Distribution Center
1600 Distribution Ct
Lithia Springs, GA 30122

Western Distribution Center
1750 Archibald Avenue
Ontario, CA 91760