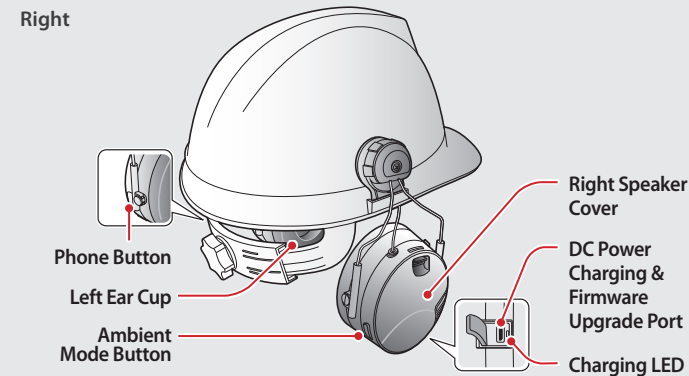
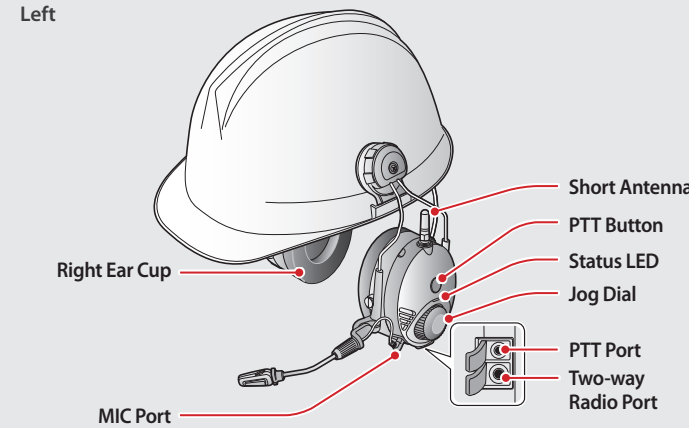
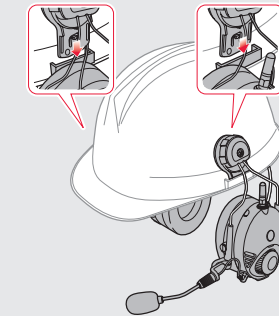


## PREPARATION

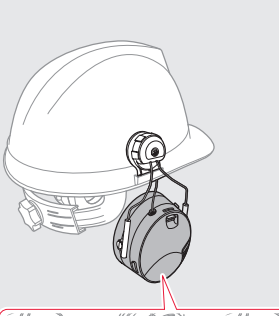
### Knowing the Headset Layout



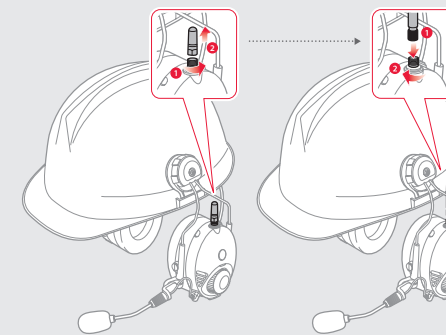
### Installing the Headset



### Installing the Battery

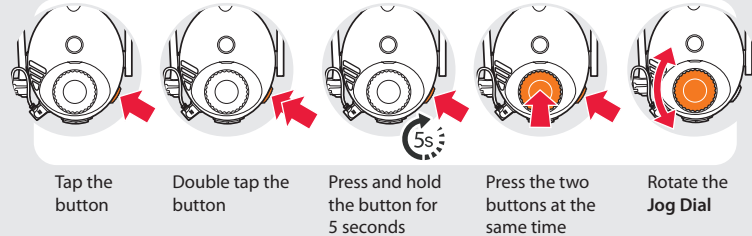


### Replacing the Antenna

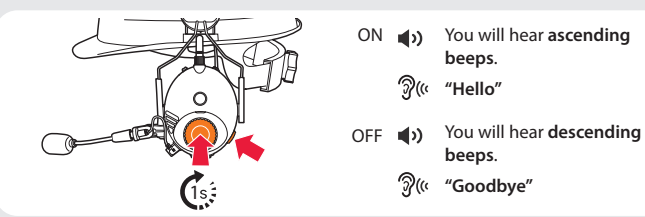


## BASIC OPERATION

### Operating the Buttons

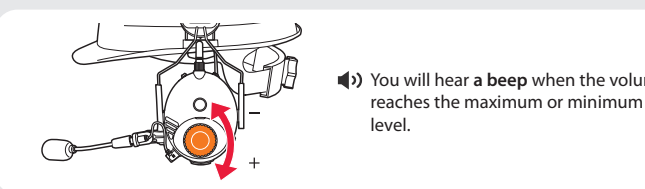


### Turning On/Off the Headset

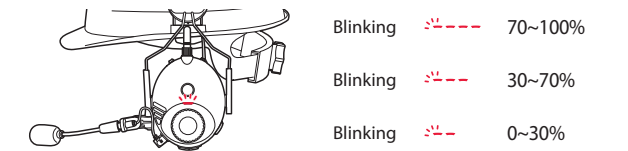


Simultaneously press and hold the **Jog Dial** and the **Phone Button** for 1 second to turn on or off the headset.

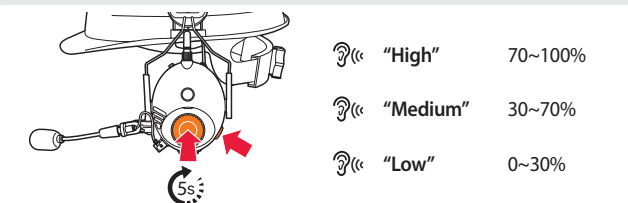
### Adjusting the Volume



### Checking the Battery Level

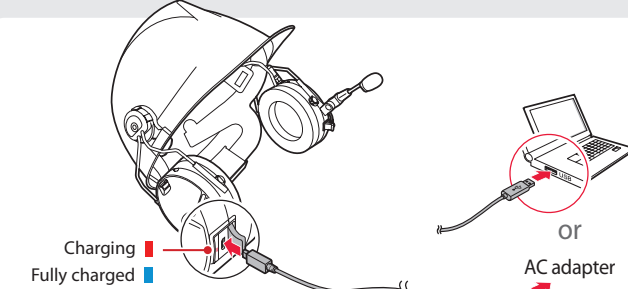


Turn on the headset and check the battery level via the **Status LED**.



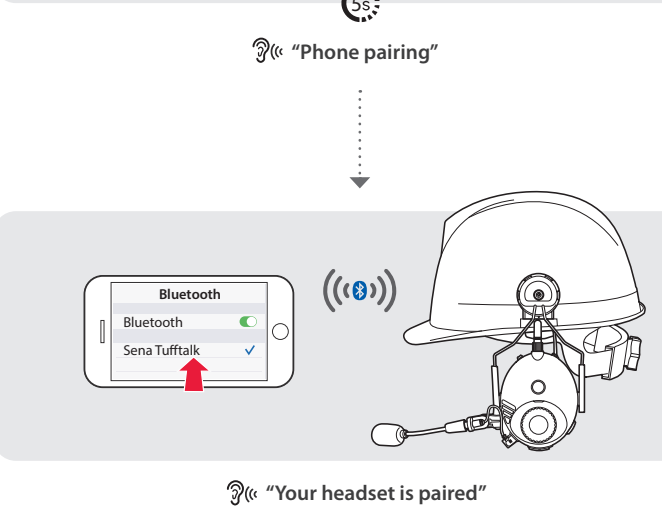
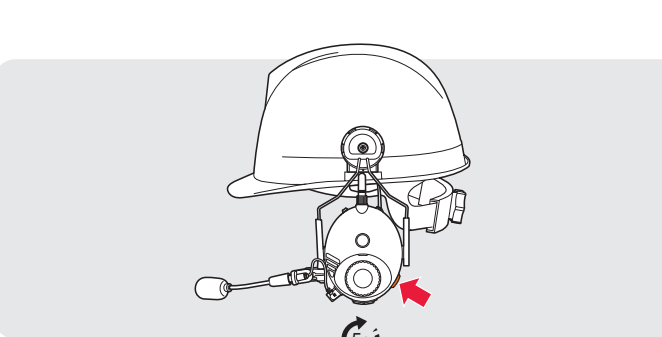
Or, press and hold the **Jog Dial** and the **Phone Button** for 5 more seconds when the headset turns on. You will hear a **triple beep** and a **voice prompt**.

### Charging the Battery

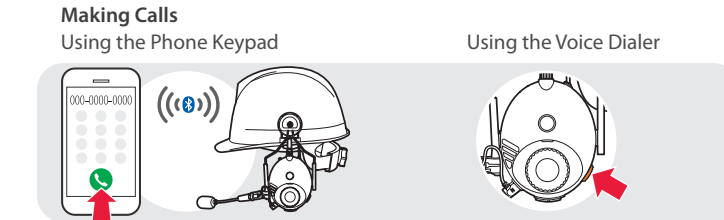
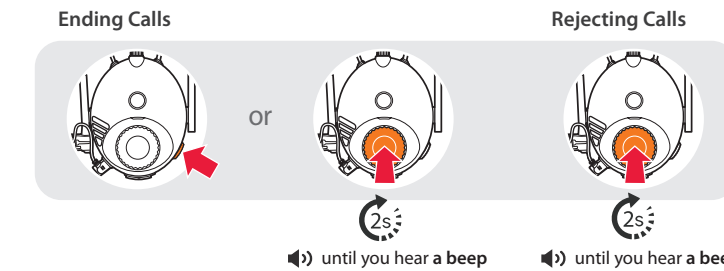


## PAIRING

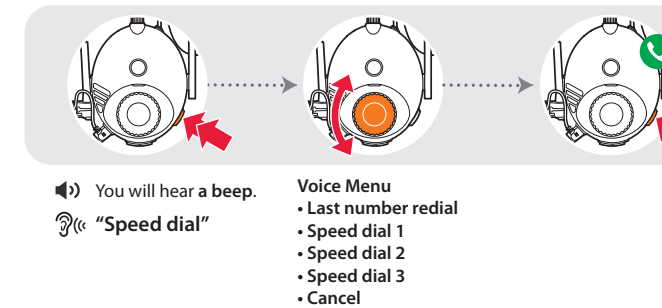
### Pairing with Mobile Devices - Phone, Music



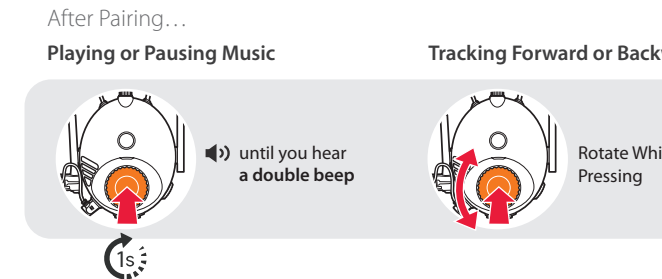
### Using Phone Features



### Using the Speed Dial



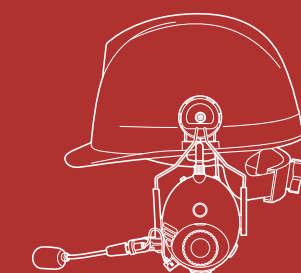
### Listening to Music



# TUFFTALK

## Quick Start Guide

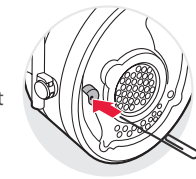
Industrial Bluetooth®  
Communication System



You can download the full version of the manual and view other Sena products at the Sena website: [senaindustrial.com](http://senaindustrial.com).

### TROUBLESHOOTING

- Factory Reset**  
If you want to restore the Tufftalk to factory default settings, press and hold the **Phone Button** for 10 seconds. Tap the **Jog Dial**. The headset automatically restores the default settings and turns off.
- Fault Reset**  
If the Tufftalk is not working properly for any reason, push the pin-hole reset button located below the left ear cup.



### OPTIONAL CABLE ACCESSORIES

<b>TUFFTALK-A0110</b> 2-way Radio Cable for Kenwood Twin-pin Connector	<b>TUFFTALK-A0114</b> 2-way Radio Cable for Yaesu Single-pin Connector
<b>TUFFTALK-A0111</b> 2-way Radio Cable for Motorola Twin-pin Connector	<b>TUFFTALK-A0115</b> 2-way Radio Cable for Midland Twin-pin Connector
<b>TUFFTALK-A0112</b> 2-way Radio Cable for Motorola Single-pin Connector	<b>TUFFTALK-A0116</b> 2-way Radio Cable with an Open End
<b>TUFFTALK-A0113</b> 2-way Radio Cable for Icom Twin-pin Connector	<b>TUFFTALK-A0117</b> 2-way Radio Cable with Straight Type for Midland or Icom Twin-pin Connector

**SENA INDUSTRIAL** Sena Technologies, Inc.  
Customer Support: [senaindustrial.com](http://senaindustrial.com)

### SETTING

- Method1) Using the headset**  
You will hear a double beep sound. "Configuration menu"
- Method2) Using the Sena Device Manager**  
Connect the headset to your computer via a USB cable. Launch the Sena Device Manager and click **DEVICE SETTING** to configure the headset settings.  
For details about downloading the Sena Device Manager, refer to the leaflet included in the package.
- Method3) Using the Sena Industrial App**
  - On your smartphone, download the Sena Industrial App for Android or iPhone from Google Play or App Store. Refer to [senaindustrial.com](http://senaindustrial.com) for more details.
  - Pair your smartphone with the headset.
  - Run the Sena Industrial App. Swipe the screen to the right and tap **Settings** to configure the headset settings.

### RADIO

- Turning On/Off the FM Radio**  
You will hear a double beep sound. "FM on" or "FM off"
- Seeking Stations**  
Rotate While Pressing
- Listening to Preset Stations**
- Saving or Deleting Stations**
  - To Save: "Preset (#)"
  - To Delete: "(#)"
  - "Save preset (#)"
  - "Delete preset (#)"

### USEFUL FUNCTIONS

- Turning On/Off the Ambient Mode**
- Using the Built-in Two-way Radio**  
First, connect the two-way radio cable with the headset.  
Push to talk

### INTERCOM

- Pairing with Other Headsets**  
Headset A, Headset B, "Intercom pairing", 5s
- Using the Intercom**  
After Pairing...  
You can start or end a two-way intercom conversation with each headset.