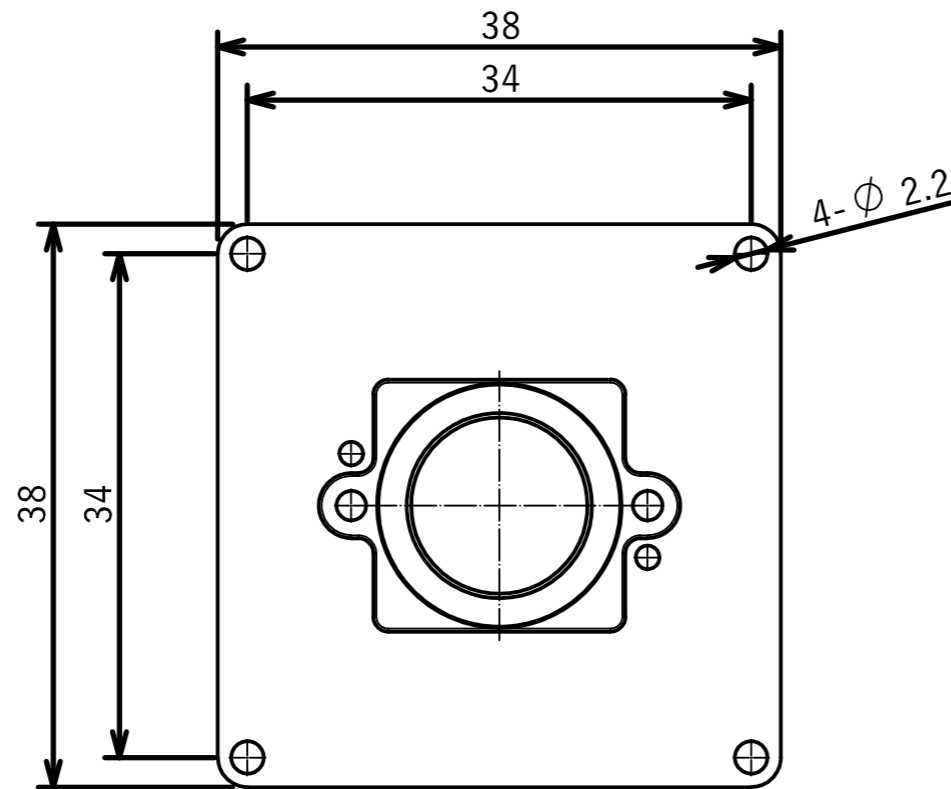
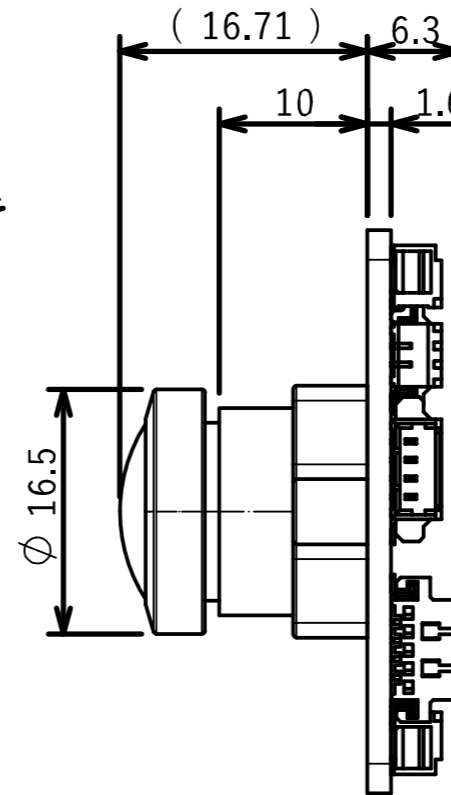


CS-USB-IMX302 Mono f1.05



正面



右側

USE RANGE			TOLERANCE		SURFACE		ARCHIVE		SCALE 2:1	
							MATERIAL			
			DATE		NAME		DESCRIPTION			
			DRAWN							
			APPR.							
			RLS.							
							DRAWING-NUMBER		SHEET	
							CS-USB-IMX307_C.1		6	
									OF 7	
INDEX DESCRIPTION		DATE	NAME	ORIGINAL			I.EXCH.F.		I.EXCH.TH.	