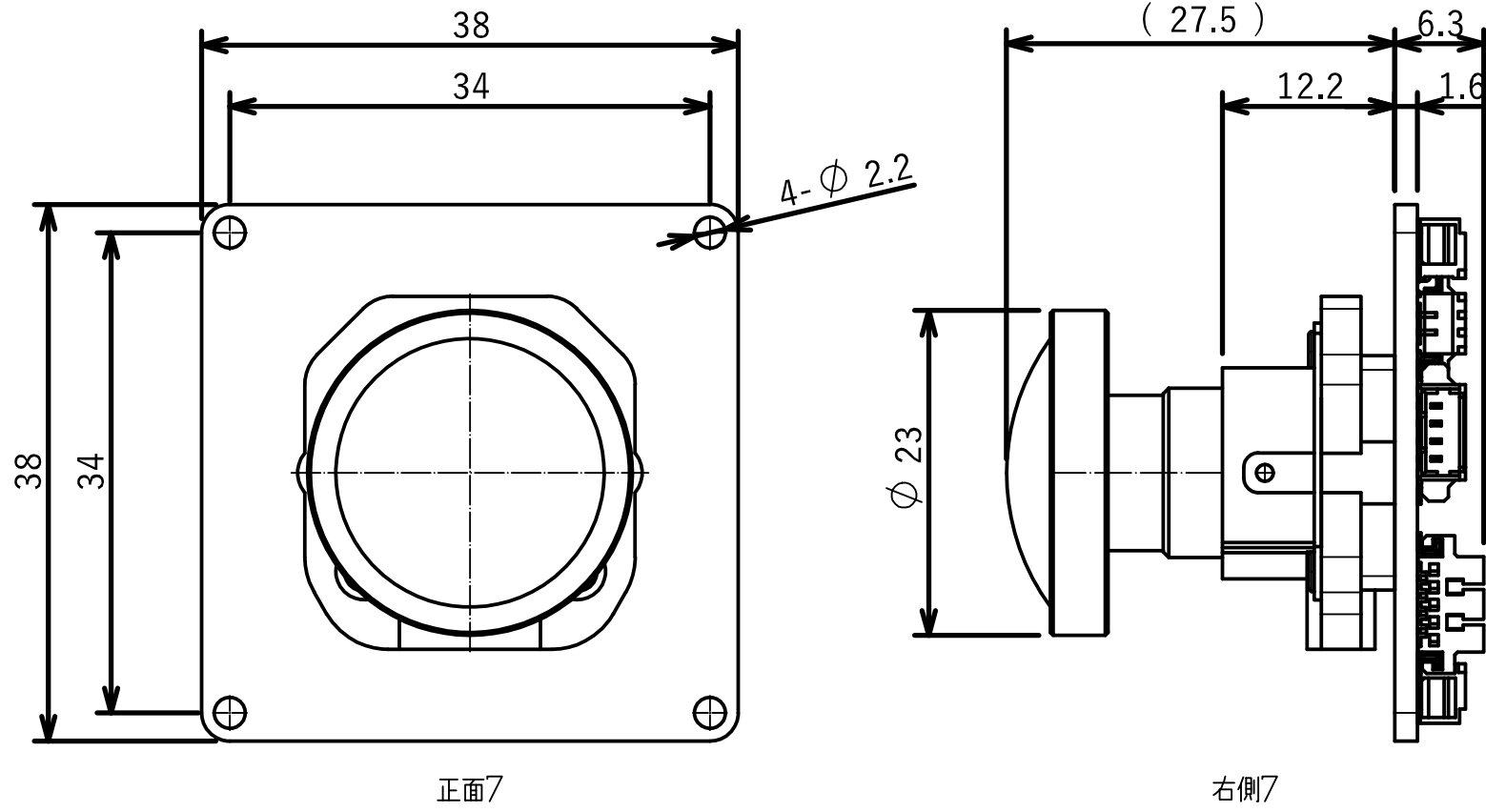


CS-USB-IMX307 Color L1628



USE RANGE			TOLERANCE		SURFACE		ARCHIVE		SCALE 2:1	
							MATERIAL			
					DATE	NAME	DESCRIPTION			
					DRAWN					
					APPR.					
					RLS.					
							DRAWING-NUMBER			SHEET
							CS-USB-IMX307_C.1			7
										OF 7
INDEX	DESCRIPTION	DATE	NAME	ORIGINAL			I.EXCH.F.		I.EXCH.TH.	