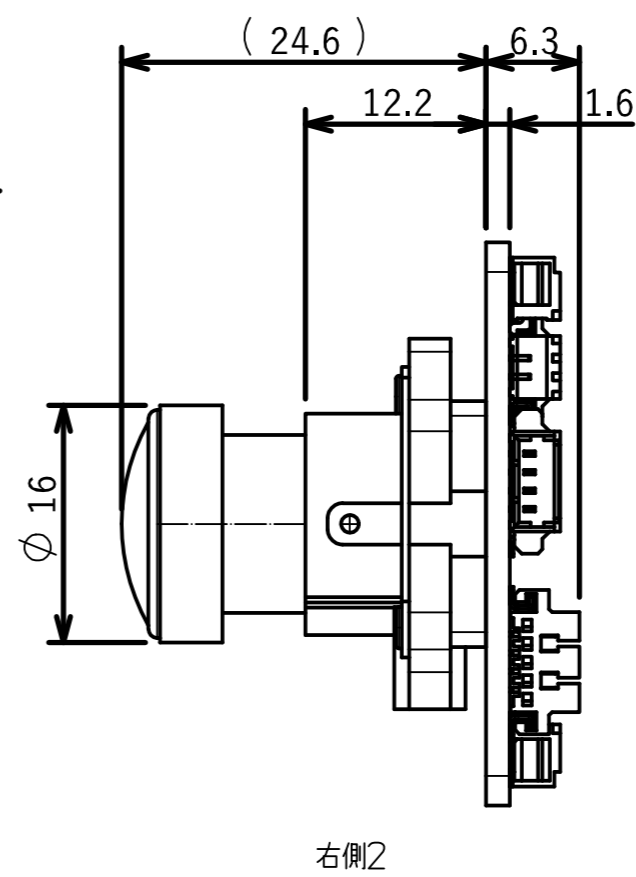
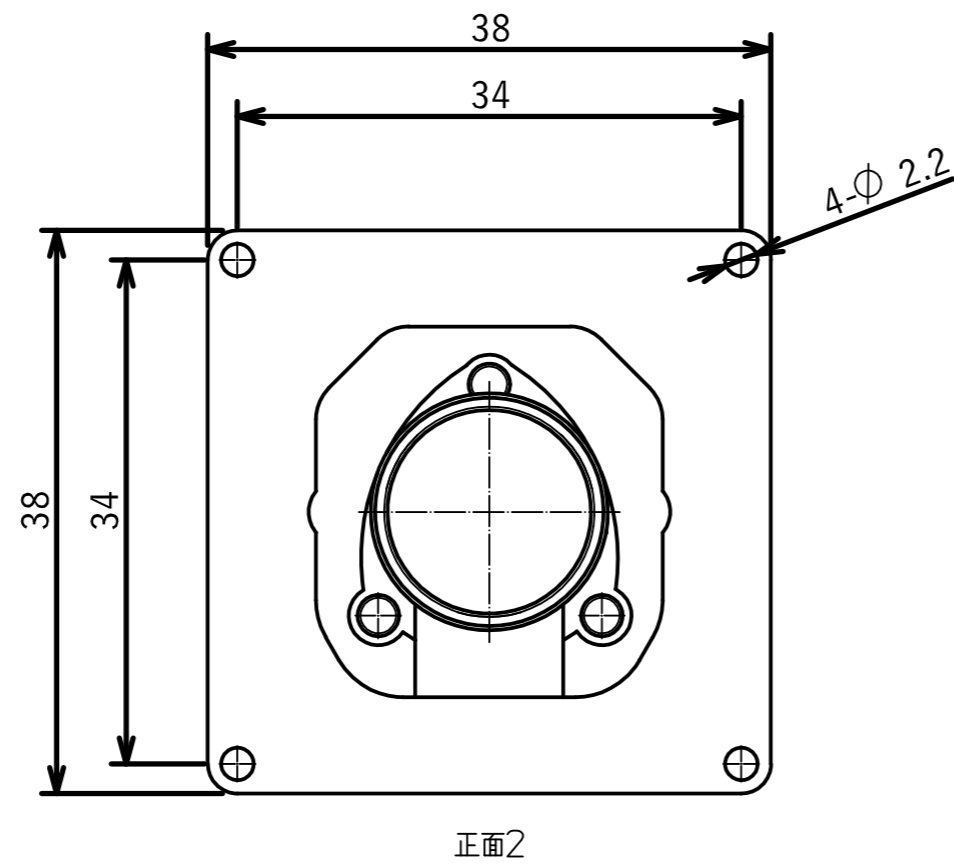


CS-USB-IMX307 Color f1.7mm



USE RANGE			TOLERANCE		SURFACE	ARCHIVE		SCALE 2:1	
						MATERIAL			
					DATE	NAME	DESCRIPTION		
					DRAWN				
					APPR.				
					RLS.				
							DRAWING-NUMBER		SHEET
							CS-USB-IMX307_C.1		2
									OF 7
INDEX	DESCRIPTION	DATE	NAME	ORIGINAL			I.EXCH.F.		I.EXCH.TH.