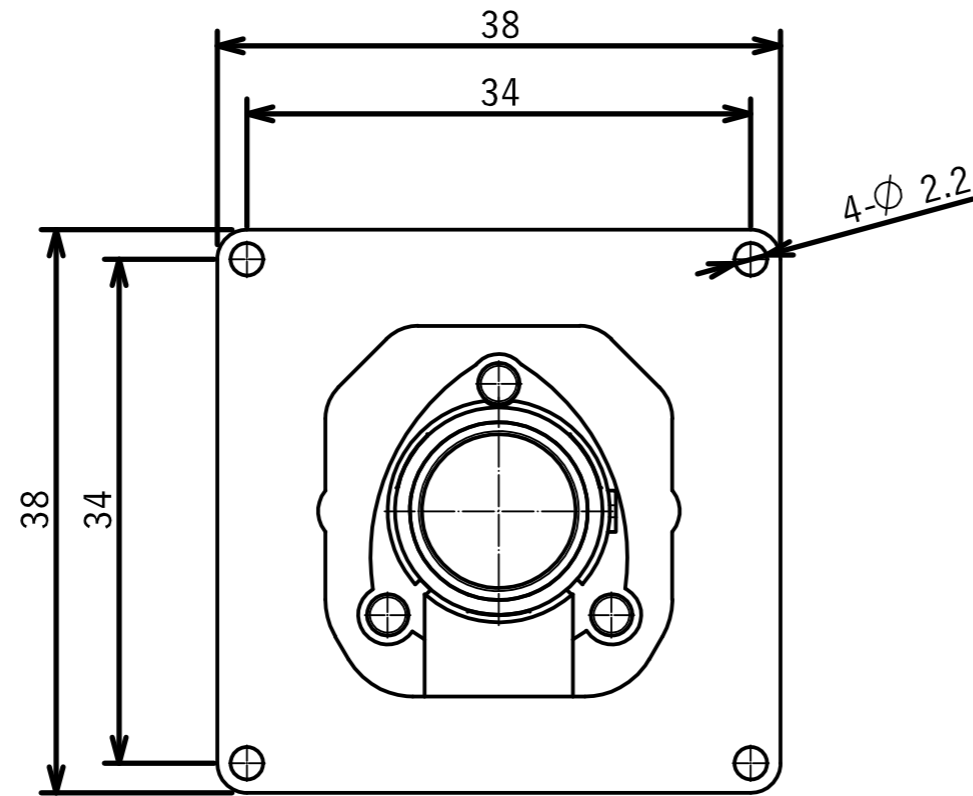
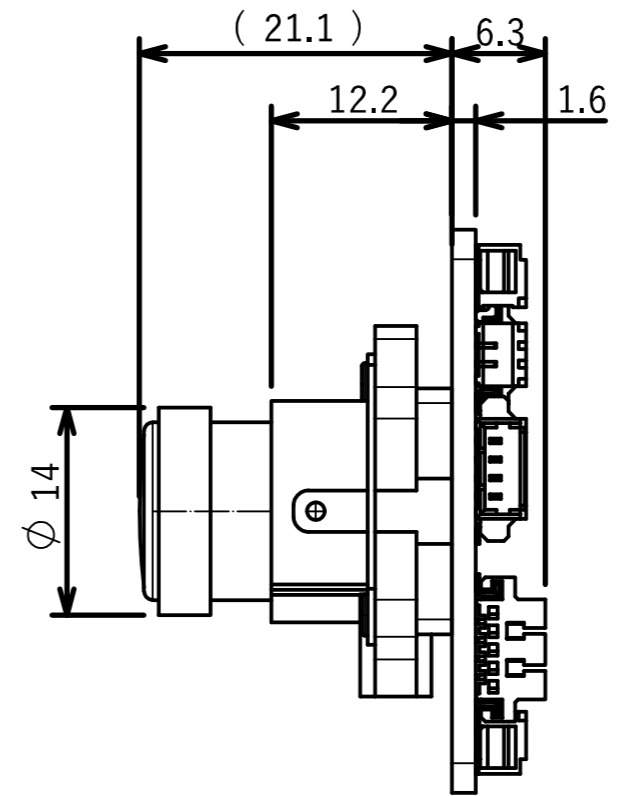


CS-USB-IMX307 Color f2.8mm



正面



右側

USE RANGE			TOLERANCE		SURFACE		ARCHIVE		SCALE 2:1	
							MATERIAL			
							DESCRIPTION			
					DATE		NAME			
					DRAWN					
					APPR.					
					RLS.					
							DRAWING-NUMBER		SHEET	
							CS-USB-IMX307_C.1		3	
									OF 7	
INDEX DESCRIPTION		DATE	NAME	ORIGINAL	I.EXCH.F.			I.EXCH.TH.		