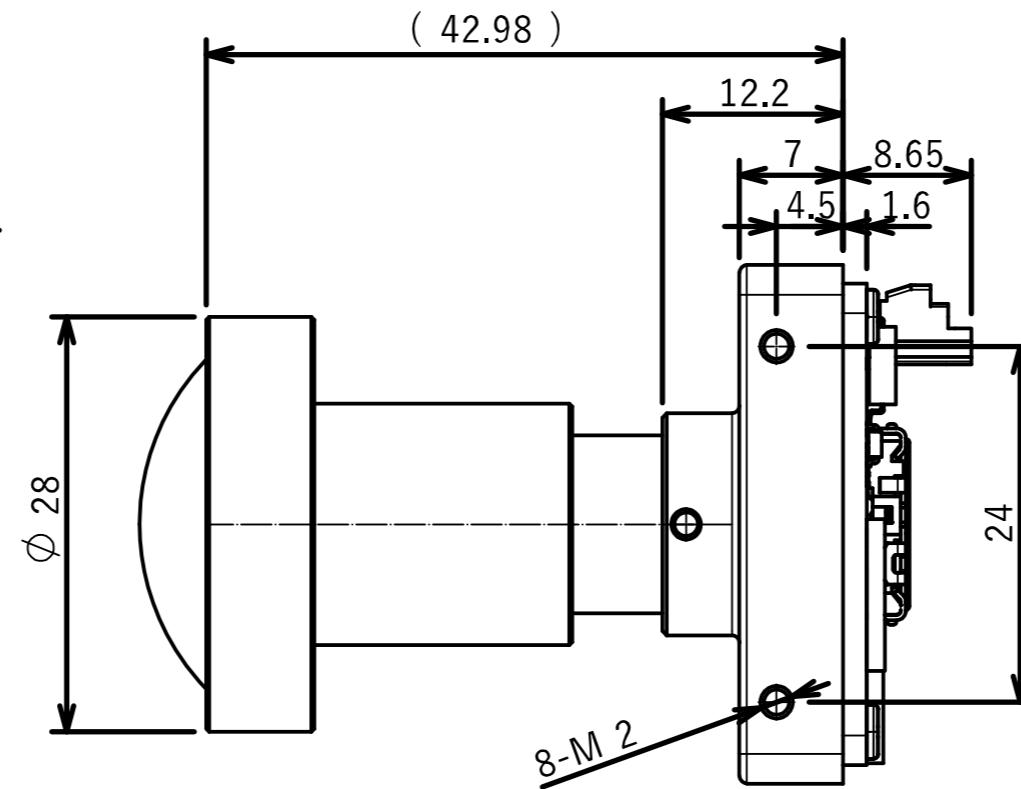
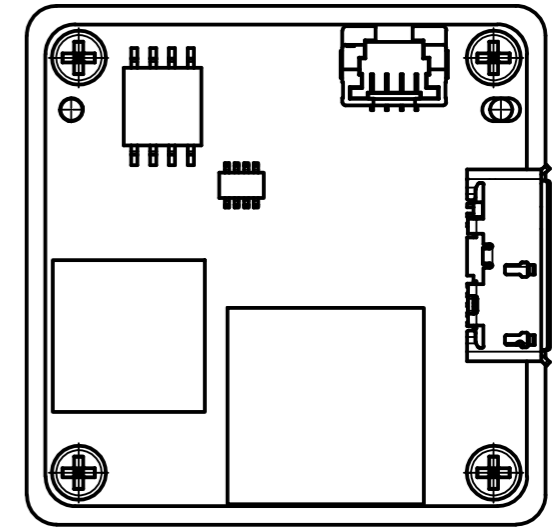


正面1

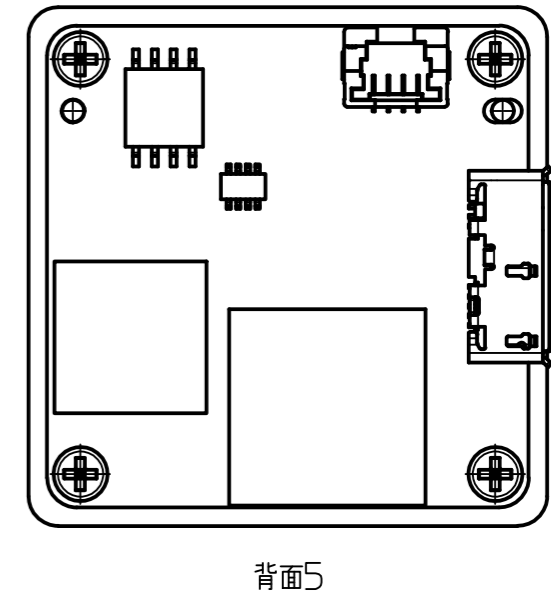
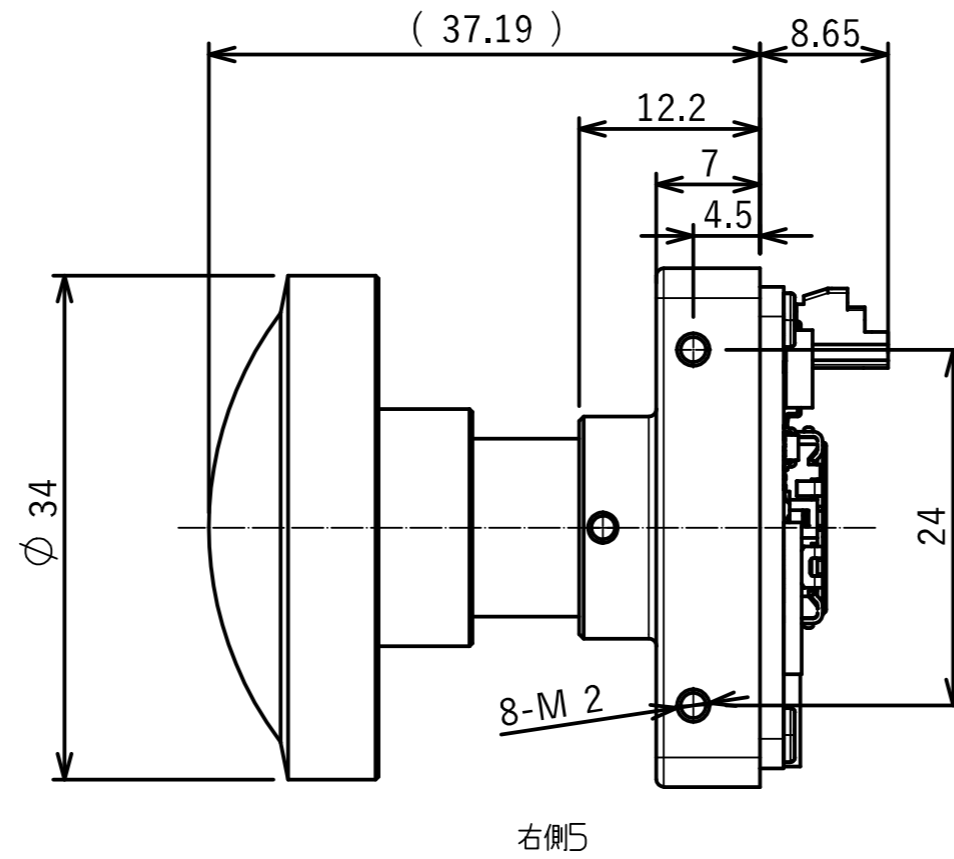
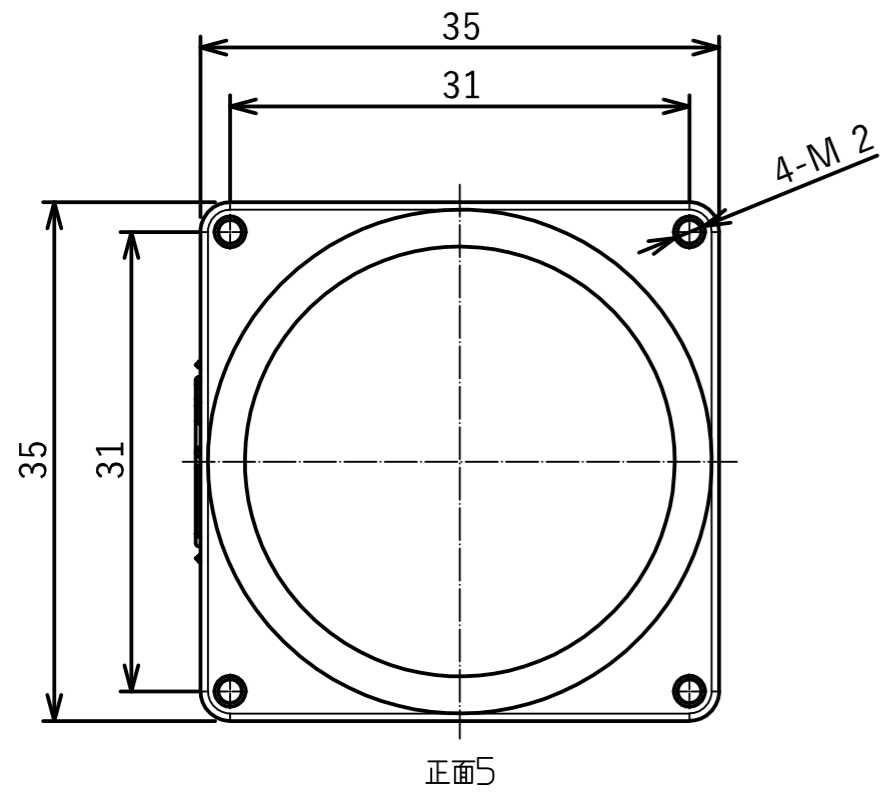


右侧1

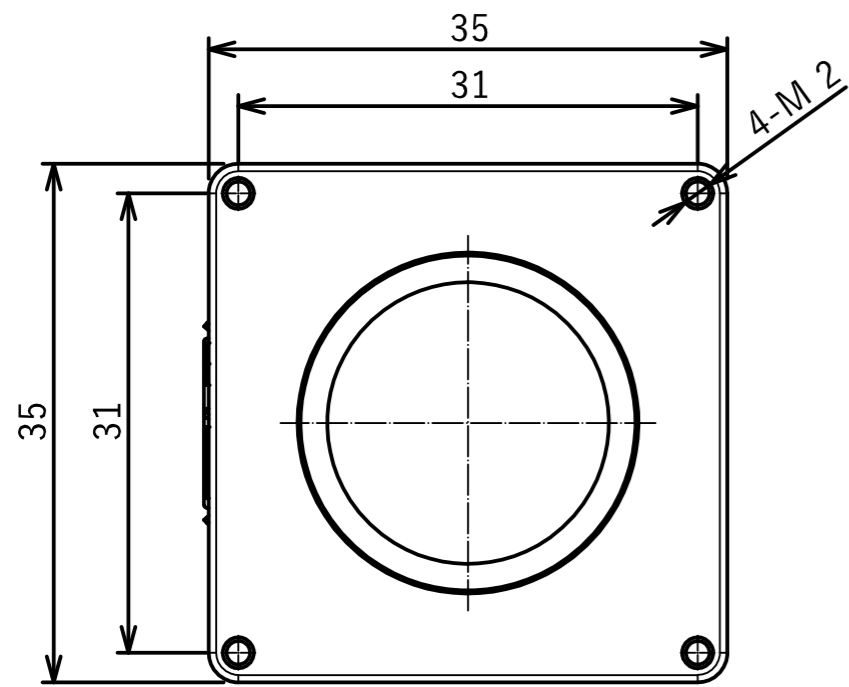


背面1

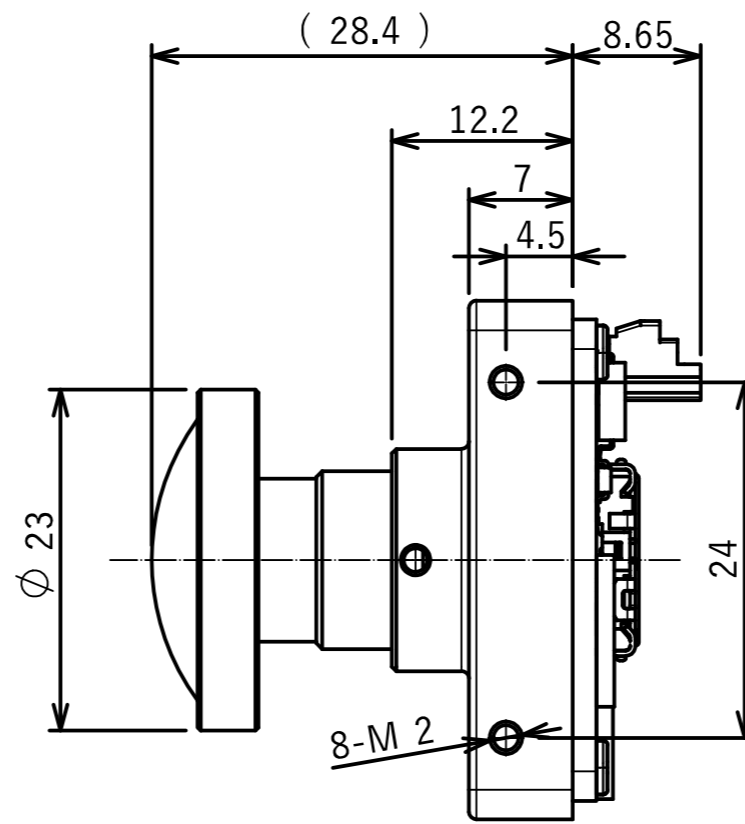
USE RANGE				TOLERANCE		SURFACE		ARCHIVE		SCALE 2:1			
								MATERIAL					
								DESCRIPTION					
								CB120-UxC f3.2mm					
						DATE						NAME	
						DRAWN							
						APPR.							
										SHEET 1			
								DRAWING-NUMBER		OF 8			
								KS12A+CB120					
INDEX DESCRIPTION		DATE		NAME		ORIGINAL		I.EXCH.F.		I.EXCH.TH.			



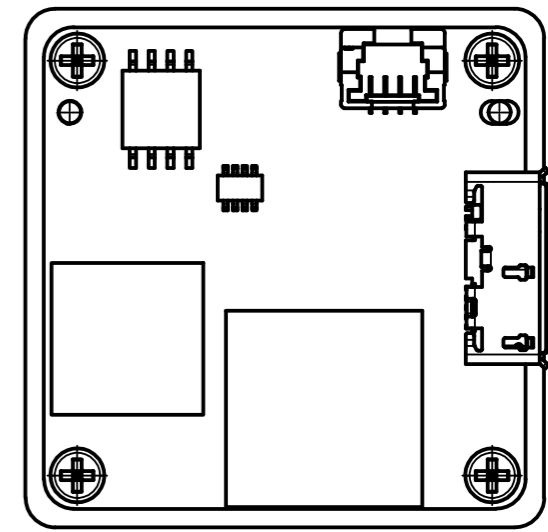
USE RANGE				TOLERANCE		SURFACE		ARCHIVE		SCALE 2:1	
								MATERIAL			
								DESCRIPTION			
								CB120-UxS			
								185deg			
								DRAWING-NUMBER			
								KS12A+CB120			
										SHEET	
										5	
										OF 8	
INDEX DESCRIPTION		DATE		NAME		ORIGINAL		I.EXCH.F.		I.EXCH.TH.	



正面6

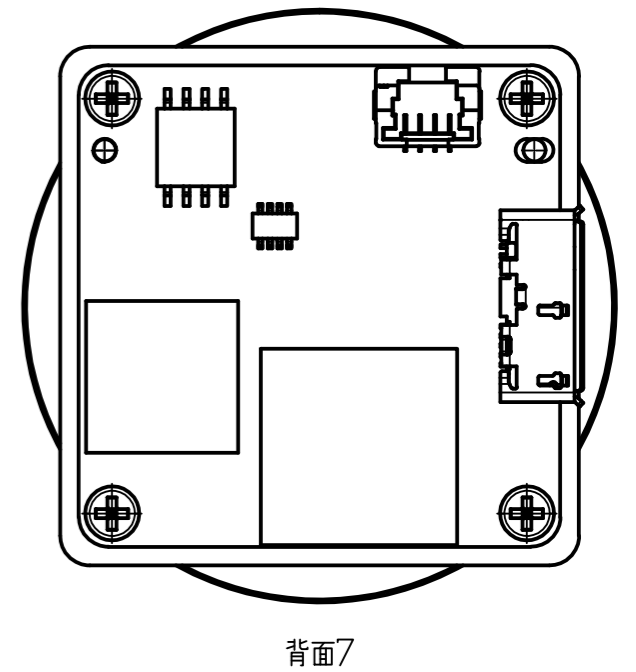
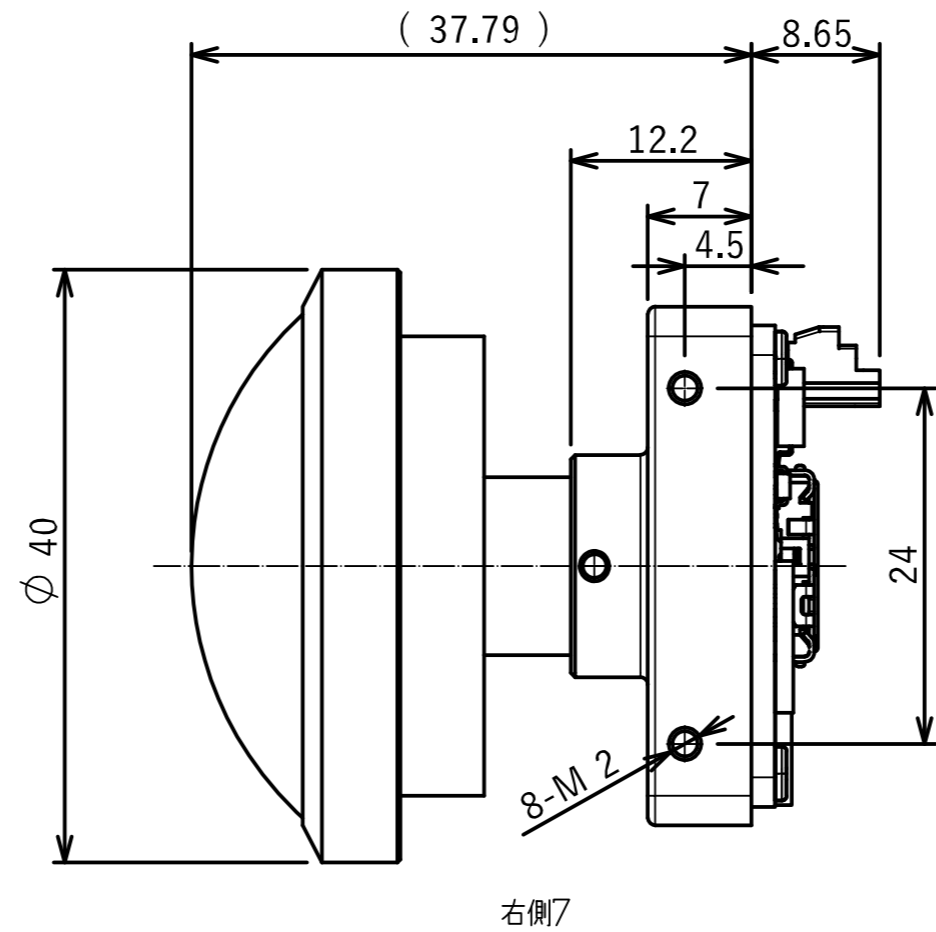
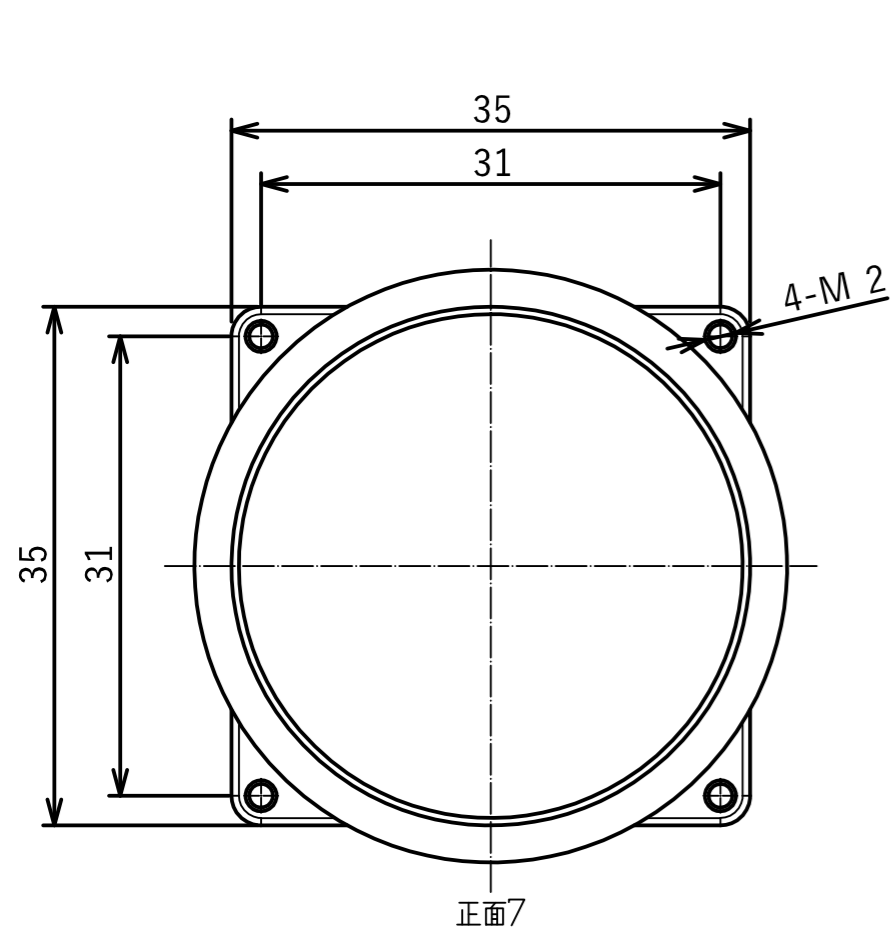


右側6

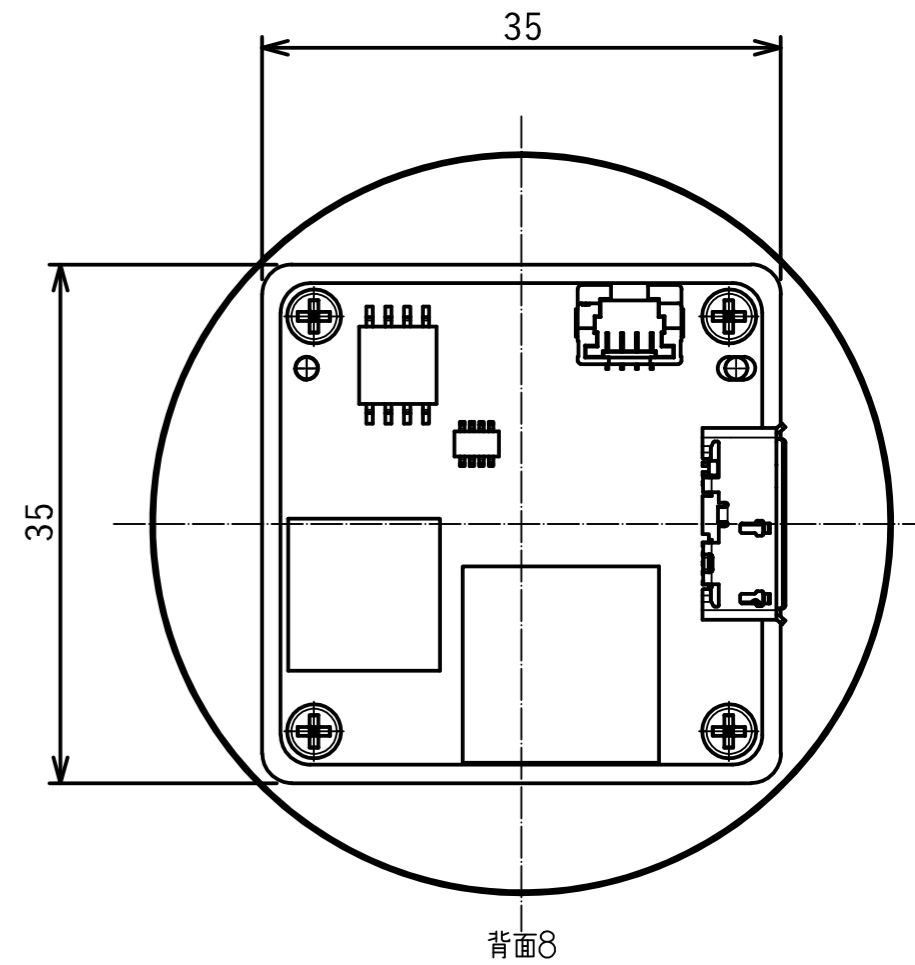
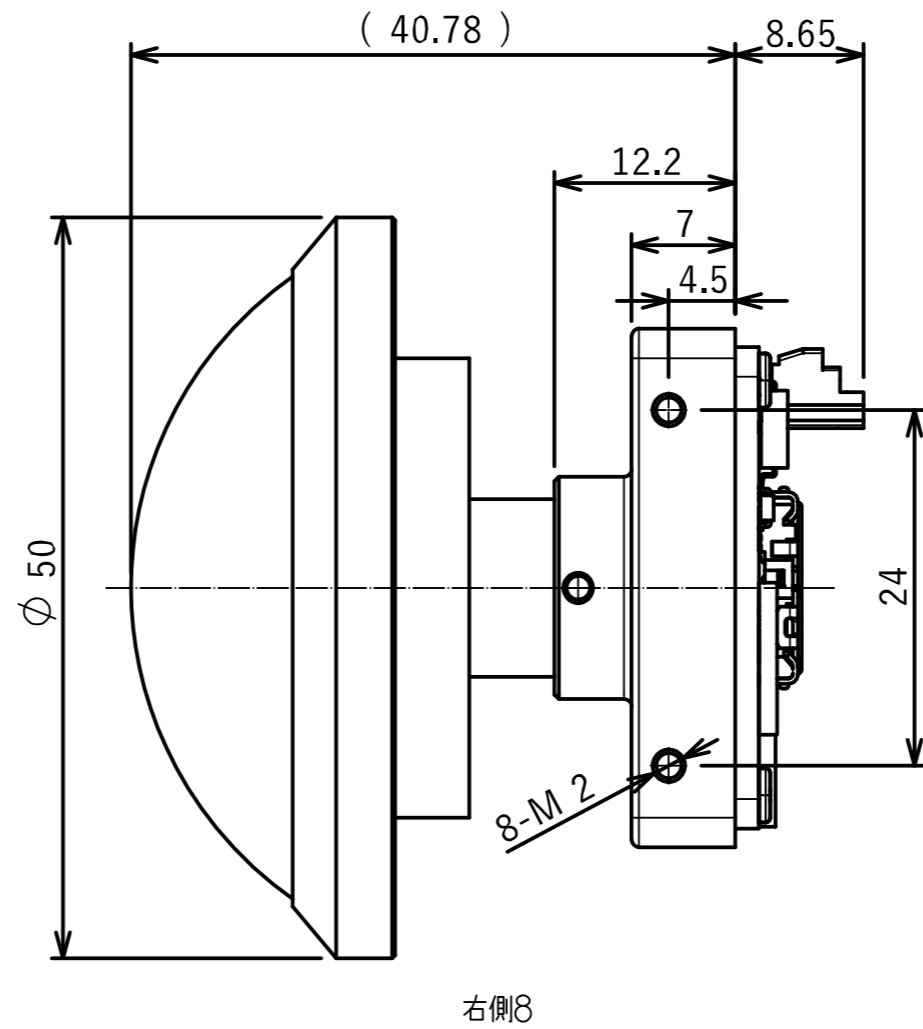
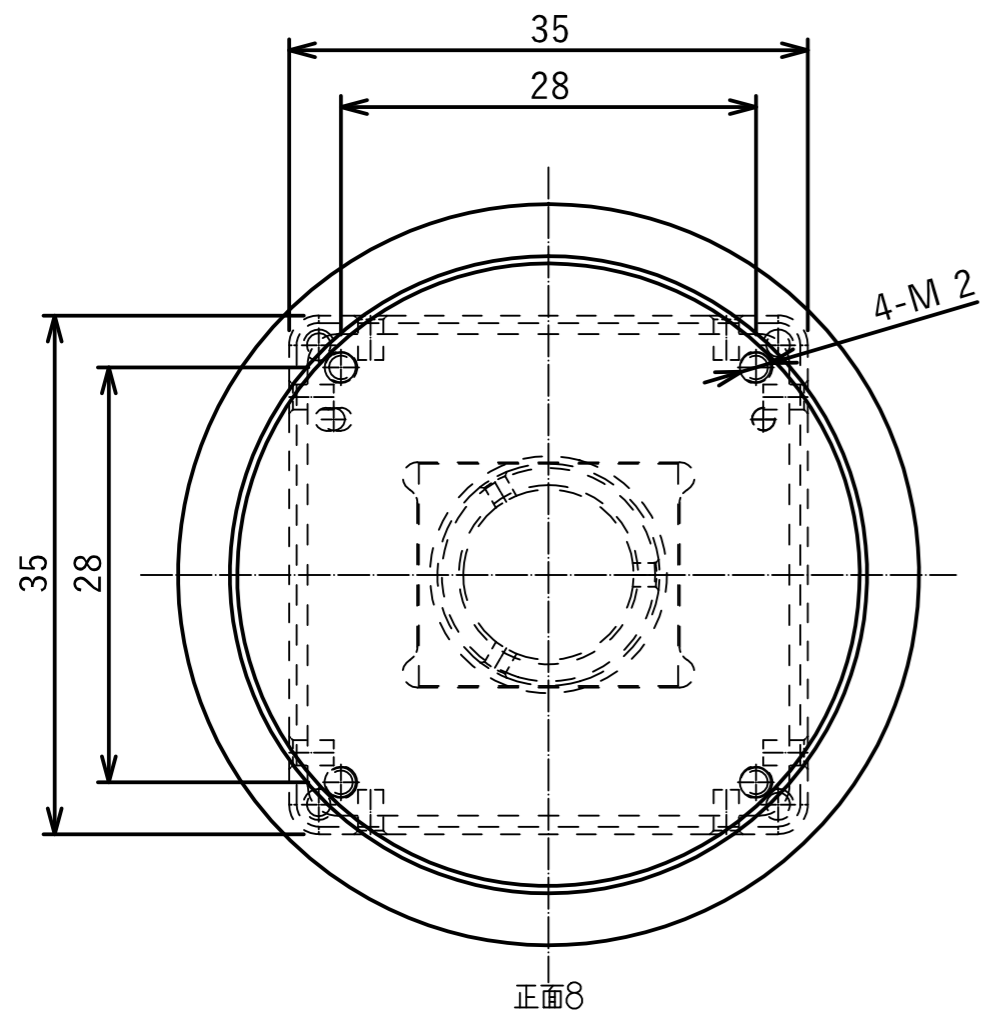


背面6

USE RANGE			TOLERANCE		SURFACE	ARCHIVE		SCALE 2:1	
						MATERIAL			
						DESCRIPTION			
						CB120-UxS			
						190deg			
						DRAWING-NUMBER		SHEET	
						KS12A+CB120		6	
								OF 8	
INDEX	DESCRIPTION	DATE	NAME	ORIGINAL	I.EXCH.F.	I.EXCH.TH.			



USE RANGE				TOLERANCE		SURFACE		ARCHIVE		SCALE 2:1	
								MATERIAL			
								DESCRIPTION			
								CB120-UxS			
								220deg			
								DRAWING-NUMBER		SHEET	
								KS12A+CB120		7	
										OF 8	
INDEX	DESCRIPTION	DATE	NAME	ORIGINAL	I.EXCH.F.			I.EXCH.TH.			



USE RANGE		TOLERANCE		SURFACE		ARCHIVE		SCALE 2:1	
						MATERIAL			
				DATE	NAME	DESCRIPTION CB120-UxS 250deg			
				DRAWN					
				APPR.					
				RLS.					
						DRAWING-NUMBER KS12A+CB120		SHEET 8 OF 8	
INDEX	DESCRIPTION	DATE	NAME	ORIGINAL	I.EXCH.F.		I.EXCH.TH.		