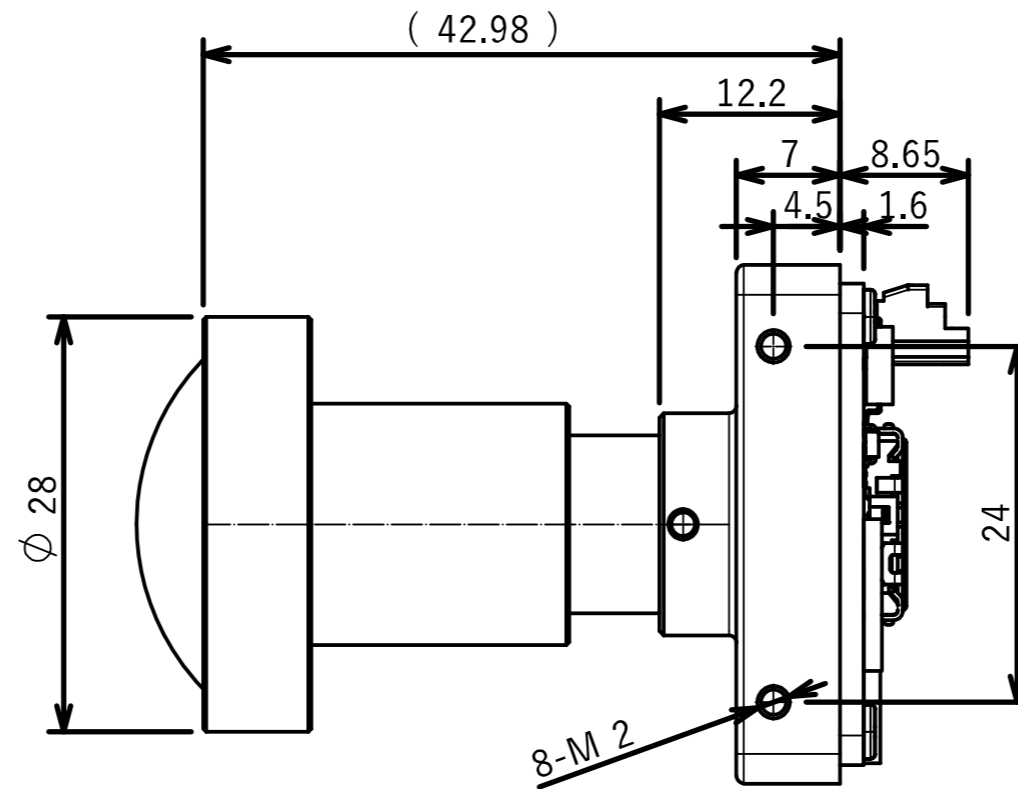
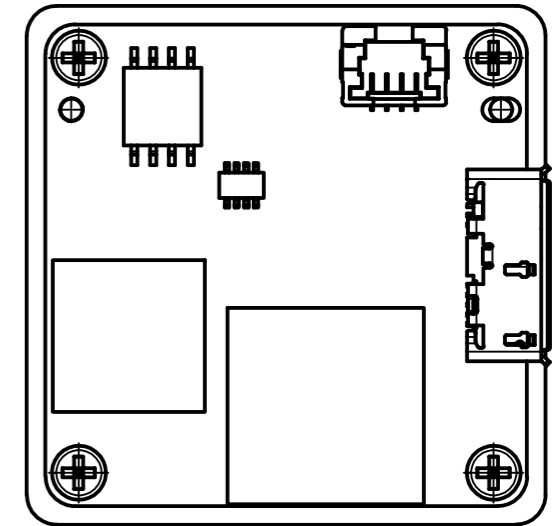


正面1

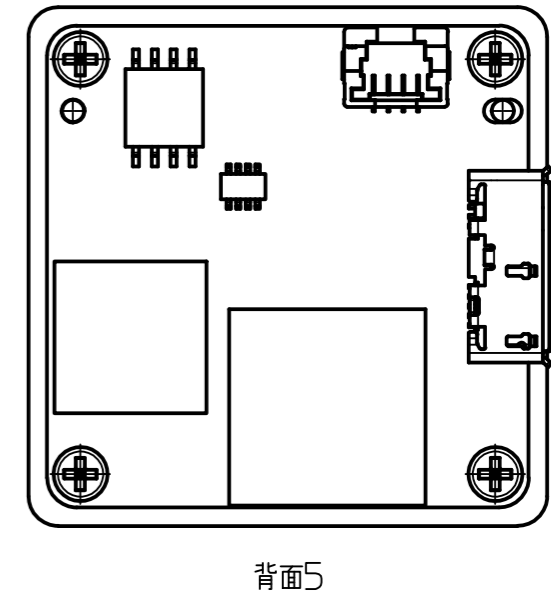
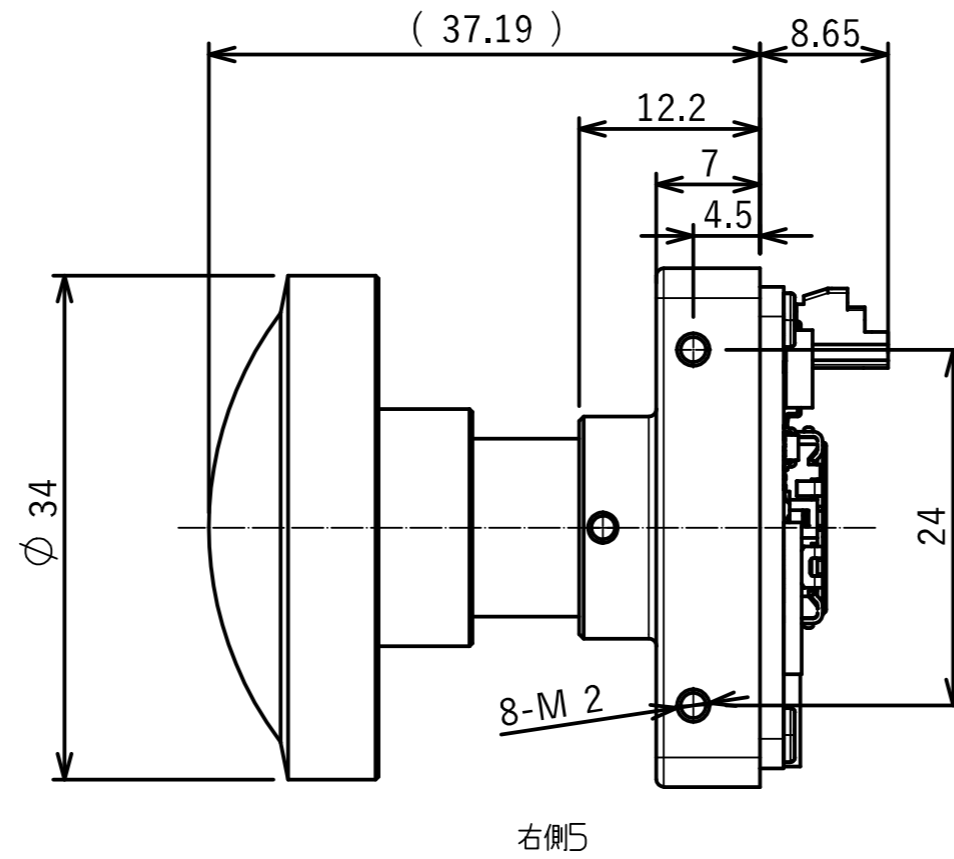
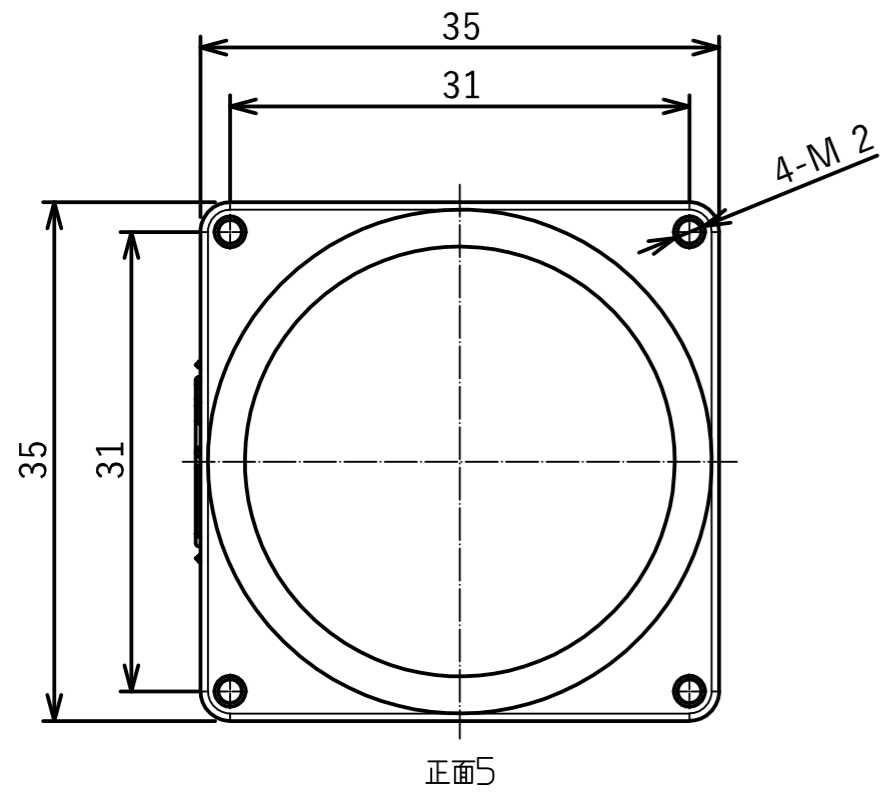


右侧1

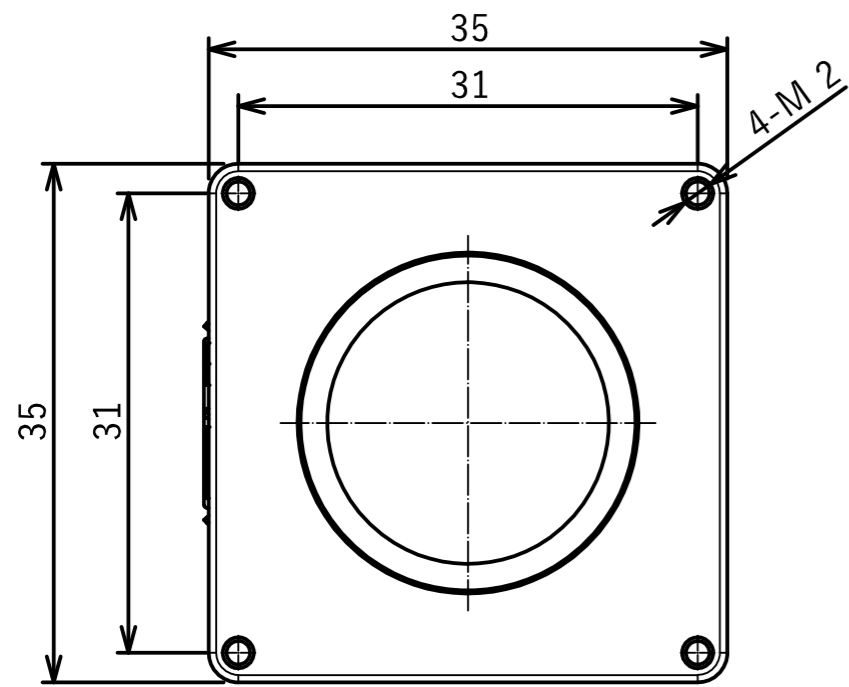


背面1

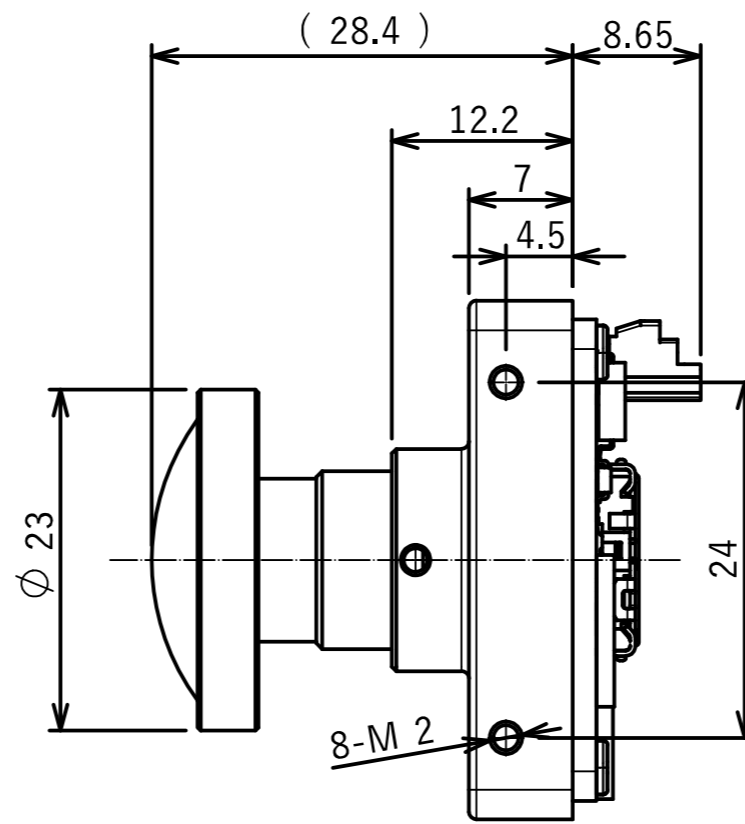
USE RANGE				TOLERANCE		SURFACE		ARCHIVE		SCALE 2:1	
								MATERIAL			
								DESCRIPTION			
								CB120-UxC f3.2mm			
								DRAWING-NUMBER			
								KS12A+CB120			
								SHEET			
								1			
								OF 8			
INDEX DESCRIPTION		DATE	NAME	ORIGINAL		I.EXCH.F.		I.EXCH.TH.			



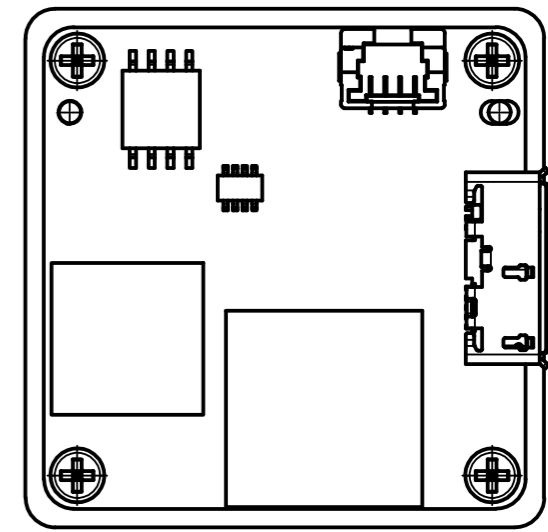
USE RANGE				TOLERANCE		SURFACE		ARCHIVE		SCALE 2:1	
								MATERIAL			
								DESCRIPTION			
								CB120-UxS			
								185deg			
								DRAWING-NUMBER		SHEET	
								KS12A+CB120		5	
										OF 8	
INDEX	DESCRIPTION	DATE	NAME	ORIGINAL	I.EXCH.F.	I.EXCH.TH.					



正面6

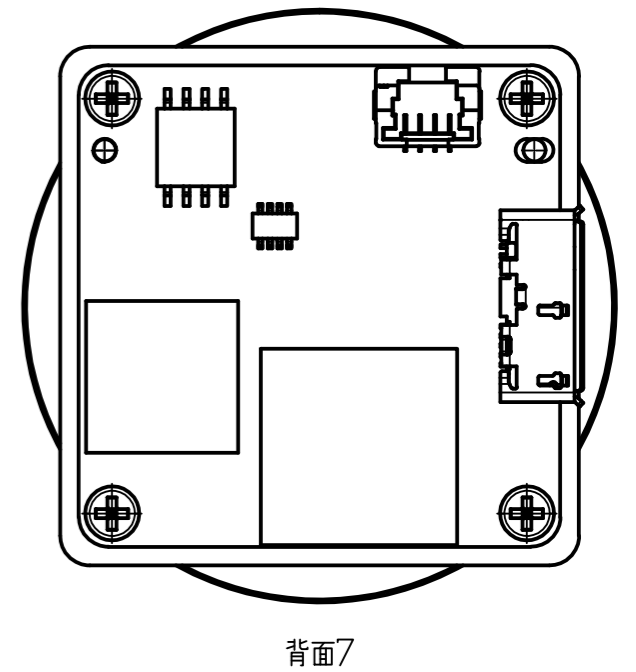
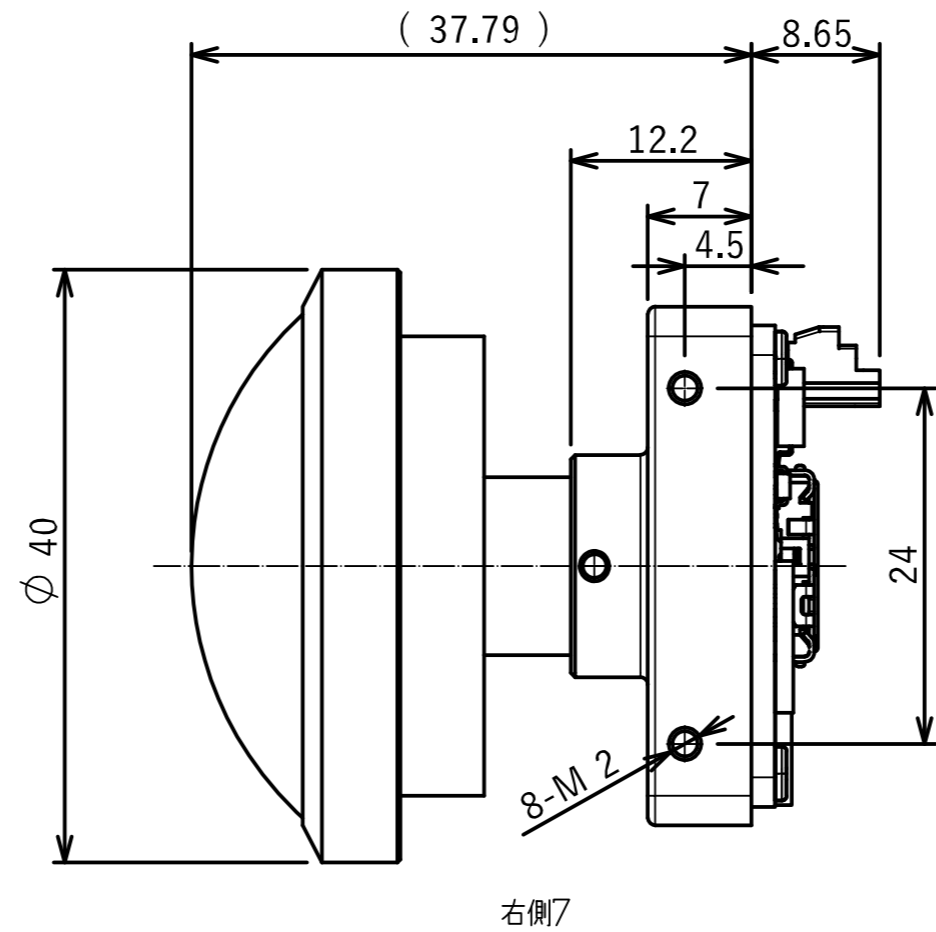
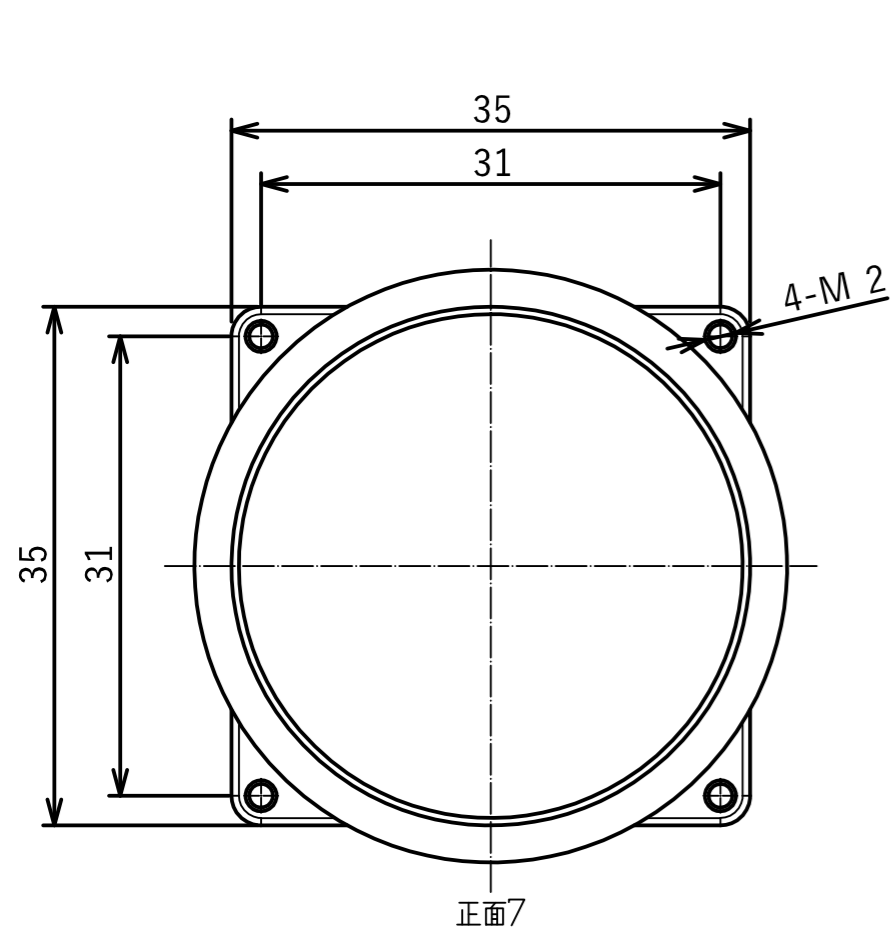


右側6

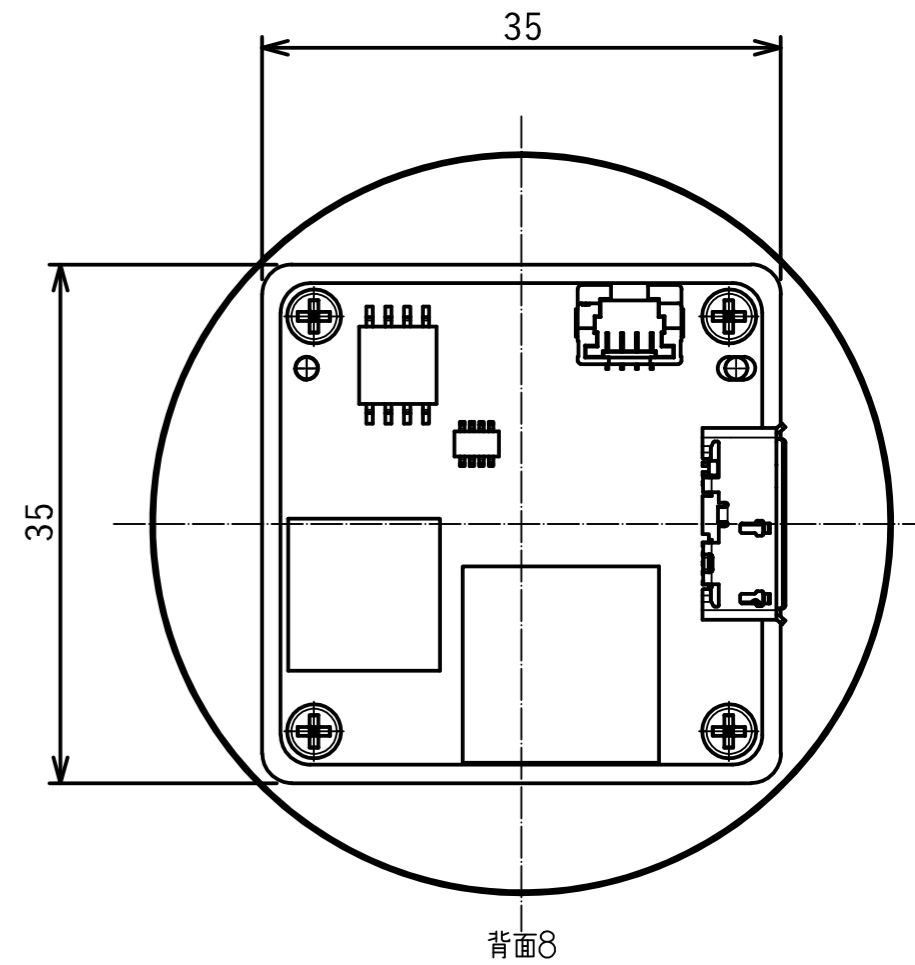
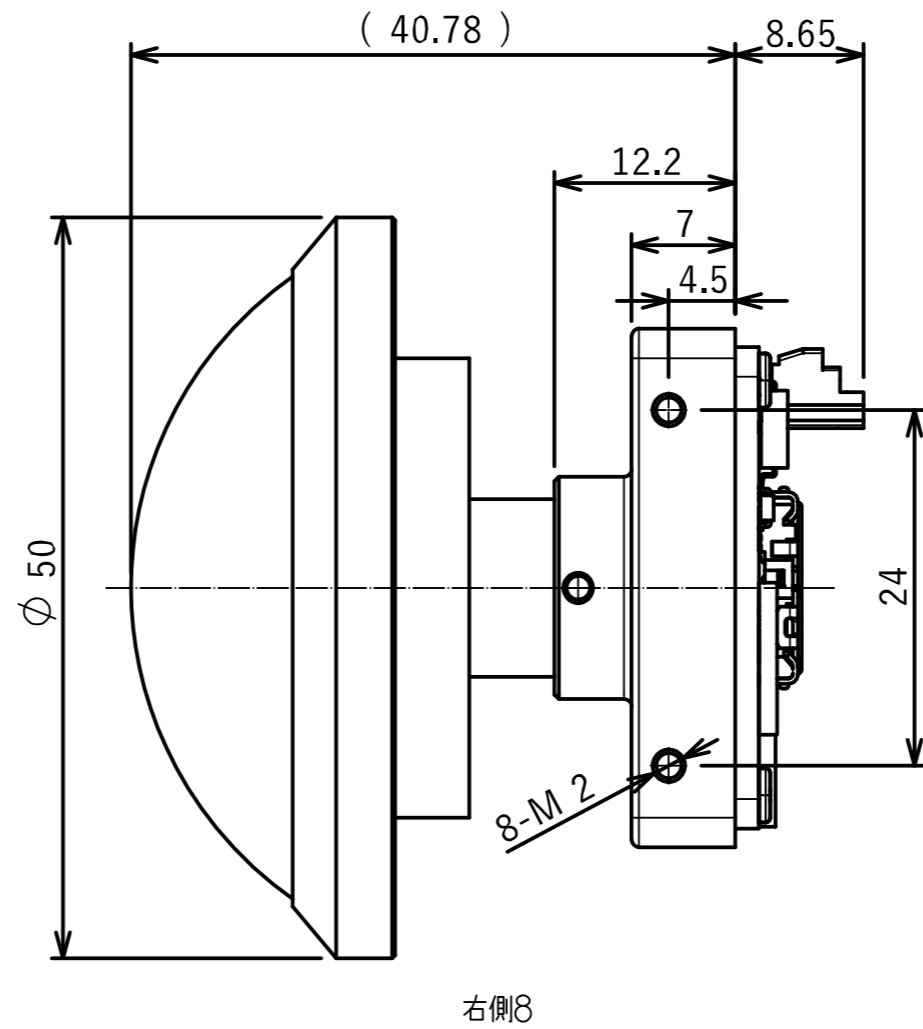
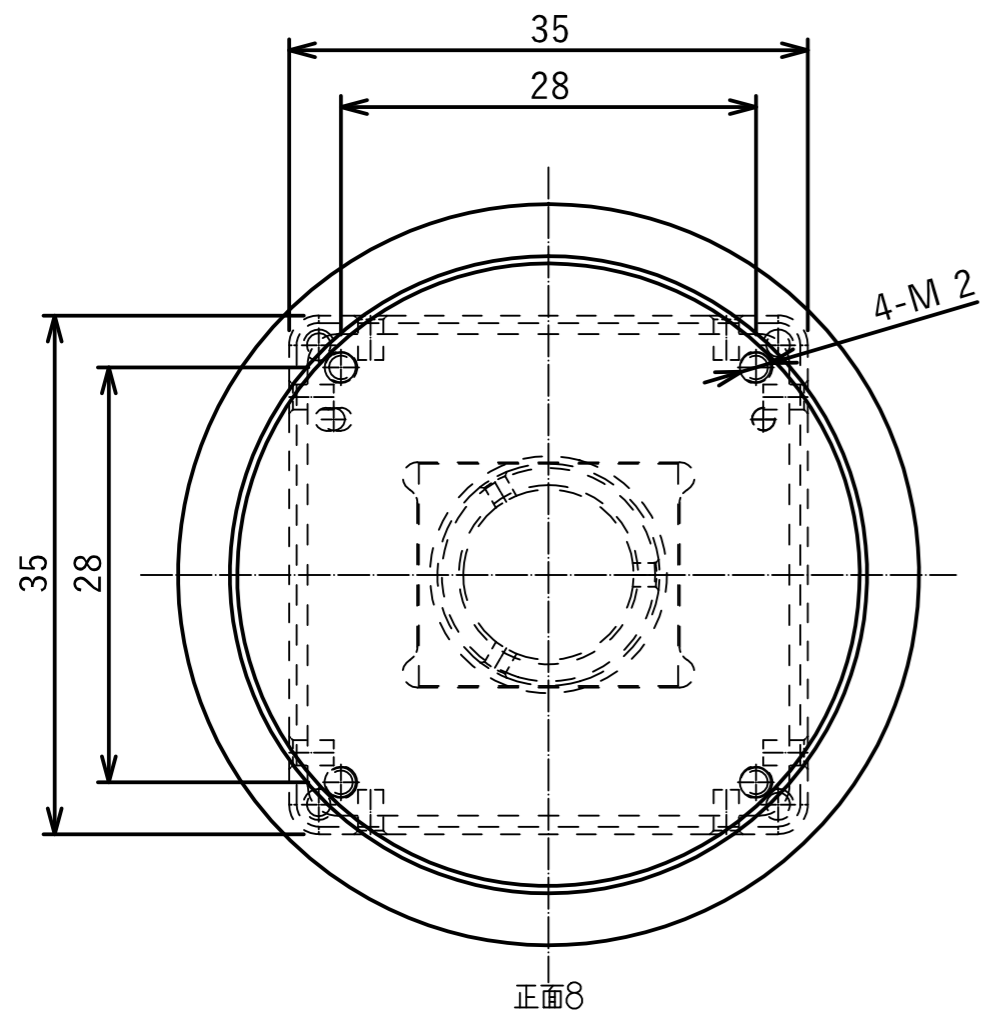


背面6

USE RANGE			TOLERANCE		SURFACE		ARCHIVE		SCALE 2:1	
							MATERIAL			
							DESCRIPTION			
							CB120-UxS			
							190deg			
							DRAWING-NUMBER		SHEET	
							KS12A+CB120		6	
									OF 8	
INDEX	DESCRIPTION	DATE	NAME	ORIGINAL	I.EXCH.F.		I.EXCH.TH.			



USE RANGE			TOLERANCE		SURFACE		ARCHIVE		SCALE 2:1	
							MATERIAL			
							DESCRIPTION		CB120-UxS 220deg	
							DRAWING-NUMBER		SHEET	
							KS12A+CB120		7	
									OF 8	
INDEX	DESCRIPTION	DATE	NAME	ORIGINAL	I.EXCH.F.		I.EXCH.TH.			



USE RANGE		TOLERANCE		SURFACE		ARCHIVE		SCALE 2:1	
						MATERIAL			
				DATE	NAME	DESCRIPTION CB120-UxS 250deg			
				DRAWN					
				APPR.					
				RLS.					
						DRAWING-NUMBER KS12A+CB120		SHEET 8 OF 8	
INDEX	DESCRIPTION	DATE	NAME	ORIGINAL	I.EXCH.F.		I.EXCH.TH.		