

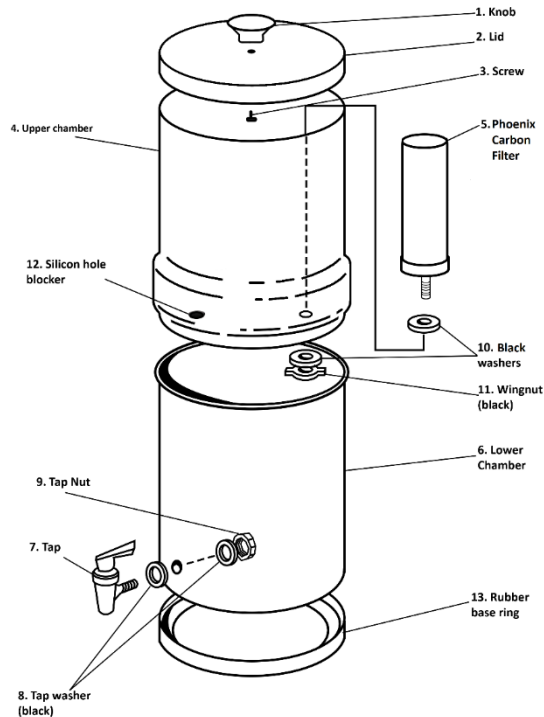
## Instruction Sheet

### Phoenix Carbon Filter Cartridge



PHOENIX

[www.phoenixwaterfilters.com](http://www.phoenixwaterfilters.com)



#### Assembly Instructions

Remove the two Phoenix Carbon Filter purification cartridges from their packaging, checking against the parts (5), (10), and (11) for each filter cartridge. Cleanliness is important. Wash hands before proceeding to make sure that the water in the lower chamber does not get contaminated during assembly.

**To remove the old cartridges:** Wearing rubber gloves, hold the black nut (11) in one hand and unscrew the cartridge (5) anticlockwise with your other hand. Remove the cartridge, wing nut and washers (10).

To fix your new cartridges, place the black washer (10) over the threaded nozzle of the cartridge (5). Place the cartridge (5) into the hole in the base of the upper chamber (4). Secure cartridge in the chamber base by screwing on the black wing nut (11) onto the

threaded mount. Hand tighten only. Repeat procedure until all cartridges have been installed.

If you are installing more cartridges to your Phoenix Gravity system in addition to your existing ones, pop open the additional filtration ports that are blocked with the silicon hole blockers (12). Discard the initial 8 or 12 litres of water purified by the cartridges. Purification elements may take up to 5 minutes to begin filtering. Maximum flow rate will be achieved after the initial 24 hours of use as the cartridges become fully wetted.

#### Cleaning and Priming instructions:

As you keep using the cartridges their filtration rate may reduce if their pores are clogged, or if they dry out. Remove the cartridges in the manner described above. Take care to ensure that water does not spill into the lower chamber. Scrub each candle under running tap water using a soft brush or mild abrasive (ScotchBrite® or similar). Always brush away from threaded mount, taking care not to contaminate the mount. Never use soap or detergents. This will need to be done when the surface of the cartridges has become dirty and the filtration rate has become awfully slow and inconvenient. This can be anywhere between 6 months to a week depending on the input water.

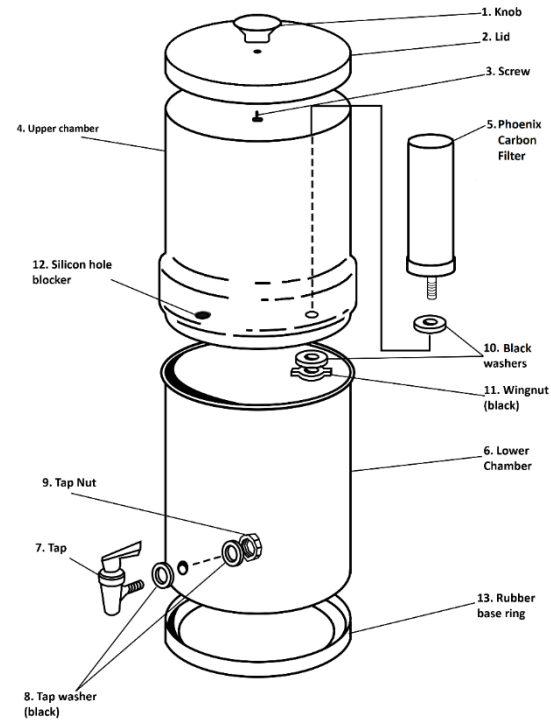
## Instruction Sheet

### Phoenix Carbon Filter Cartridge



PHOENIX

[www.phoenixwaterfilters.com](http://www.phoenixwaterfilters.com)



#### Assembly Instructions

Remove the two Phoenix Carbon Filter purification cartridges from their packaging, checking against the parts (5), (10), and (11) for each filter cartridge. Cleanliness is important. Wash hands before proceeding to make sure that the water in the lower chamber does not get contaminated during assembly.

**To remove the old cartridges:** Wearing rubber gloves, hold the black nut (11) in one hand and unscrew the cartridge (5) anticlockwise with your other hand. Remove the cartridge, wing nut and washers (10).

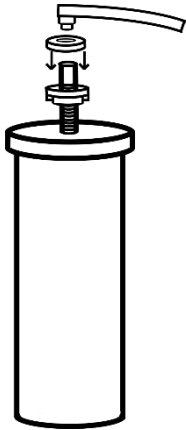
To fix your new cartridges, place the black washer (10) over the threaded nozzle of the cartridge (5). Place the cartridge (5) into the hole in the base of the upper chamber (4). Secure cartridge in the chamber base by

screwing on the black wing nut (11) onto the threaded mount. Hand tighten only. Repeat procedure until all cartridges have been installed.

If you are installing more cartridges to your Phoenix Gravity system in addition to your existing ones, pop open the additional filtration ports that are blocked with the silicon hole blockers (12). Discard the initial 8 or 12 litres of water purified by the cartridges. Purification elements may take up to 5 minutes to begin filtering. Maximum flow rate will be achieved after the initial 24 hours of use as the cartridges become fully wetted.

#### Cleaning and Priming instructions:

As you keep using the cartridges their filtration rate may reduce if their pores are clogged, or if they dry out. Remove the cartridges in the manner described above. Take care to ensure that water does not spill into the lower chamber. Scrub each candle under running tap water using a soft brush or mild abrasive (ScotchBrite® or similar). Always brush away from threaded mount, taking care not to contaminate the mount. Never use soap or detergents. This will need to be done when the surface of the cartridges has become dirty and the filtration rate has become awfully slow and inconvenient. This can be anywhere between 6 months to a week depending on the input water.



If you still do not get the desired filtration rate, you may need to prime the cartridges. This can be done by forcing water from a faucet through the nozzle of the cartridge as below:

1. Remove the cartridge from system
2. Remove the two washers and the wingnut as well
3. Now, screw the wingnut with its broad face pointing out, and place a washer over it.
4. Press the cartridge's nozzle with the washer firmly against a faucet with water running. You will see the cartridge's surface sweat beads water. This will allow the cartridge to become fully wetted, and force out any sediments or particles that are blocking the pores of the cartridge. Do this for a few minutes.
5. Assemble the cartridge back in the upper chamber.
6. Do this for every cartridge that needs priming.

**What the Phoenix Carbon Filters are known to remove or significantly reduce:**

Bacteria	Viruses	Cysts	Lead	Chlorine
Cadmium	Chromium	Copper	Mercury	Selenium
Most Volatile Organic Compounds	Pesticides	Pharmaceuticals		

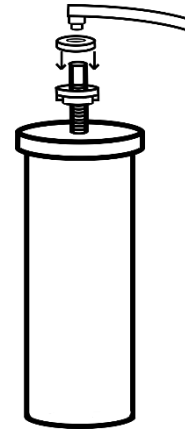
**What the Phoenix Carbon Filters do not remove:**

Dissolved salts and minerals (your body needs them)	Fluoride	Iron
---	----------	------

**Lifespan:** Each pair of Phoenix Carbon Filter cartridges have a lifespan of up to 20,000 litres on average.

**Warranty information**

Phoenix Carbon Filter cartridges have a one-year prorated warranty calculated in six months intervals from the date of purchase. Rama Pure Water Pvt Ltd (RPWPL) will replace or repair any product that it deems is not properly functioning during the stated warranty period. Warranty is limited to replacement or repair of defective materials or workmanship only. RPWPL shall not be held liable for incidental or consequential damage to personal property from, but not limited to, a defective unit, improper use, abuse, accident, or neglect, etc. RPWPL shall not be responsible for any damage or loss other than for the product purchased. It is the customers responsibility to prevent misuse of the system and to replace parts when, due to the natural course of wear and tear, they must be replaced This warranty is for the original retail purchaser only, and cannot be transferred. Repair or replacement of parts will be made upon delivery to manufacturer's plant or authorized service dealer at customer's expense. The laws of the Chennai, India will govern any disputes regarding this warranty or claim made. This warranty which is given expressly in lieu of all warranties, expressed or implied, or merchantability and fitness for a particular purpose, constitutes the only warranty made by RPWPL. For more information or details, contact your authorised Phoenix Dealer or Distributor.



If you still do not get the desired filtration rate, you may need to prime the cartridges. This can be done by forcing water from a faucet through the nozzle of the cartridge as below:

1. Remove the cartridge from system
2. Remove the two washers and the wingnut as well
3. Now, screw the wingnut with its broad face pointing out, and place a washer over it.
4. Press the cartridge's nozzle with the washer firmly against a faucet with water running. You will see the cartridge's surface sweat beads water. This will allow the cartridge to become fully wetted, and force out any sediments or particles that are blocking the pores of the cartridge. Do this for a few minutes.
5. Assemble the cartridge back in the upper chamber.
6. Do this for every cartridge that needs priming.

**What the Phoenix Carbon Filters are known to remove or significantly reduce:**

Bacteria	Viruses	Cysts	Lead	Chlorine
Cadmium	Chromium	Copper	Mercury	Selenium
Most Volatile Organic Compounds	Pesticides	Pharmaceuticals		

**What the Phoenix Carbon Filters do not remove:**

Dissolved salts and minerals (your body needs them)	Fluoride	Iron
---	----------	------

**Lifespan:** Each pair of Phoenix Carbon Filter cartridges have a lifespan of up to 20,000 litres on average.

**Warranty information:**

Phoenix Carbon Filter cartridges have a one-year prorated warranty calculated in six months intervals from the date of purchase. Rama Pure Water Pvt Ltd (RPWPL) will replace or repair any product that it deems is not properly functioning during the stated warranty period. Warranty is limited to replacement or repair of defective materials or workmanship only. RPWPL shall not be held liable for incidental or consequential damage to personal property from, but not limited to, a defective unit, improper use, abuse, accident, or neglect, etc. RPWPL shall not be responsible for any damage or loss other than for the product purchased. It is the customers responsibility to prevent misuse of the system and to replace parts when, due to the natural course of wear and tear, they must be replaced This warranty is for the original retail purchaser only, and cannot be transferred. Repair or replacement of parts will be made upon delivery to manufacturer's plant or authorized service dealer at customer's expense. The laws of the Chennai, India will govern any disputes regarding this warranty or claim made. This warranty which is given expressly in lieu of all warranties, expressed or implied, or merchantability and fitness for a particular purpose, constitutes the only warranty made by RPWPL. For more information or details, contact your authorised Phoenix Dealer or Distributor.