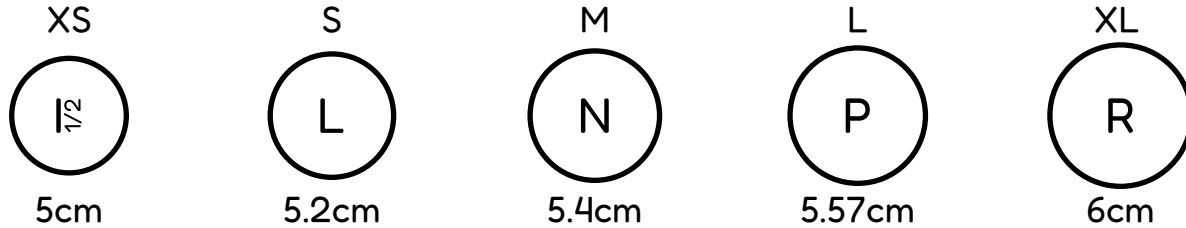


# tomee®

## What's My Ring Size?

Print out and use our handy little guide to get the best fit for you!



Inside Circumference

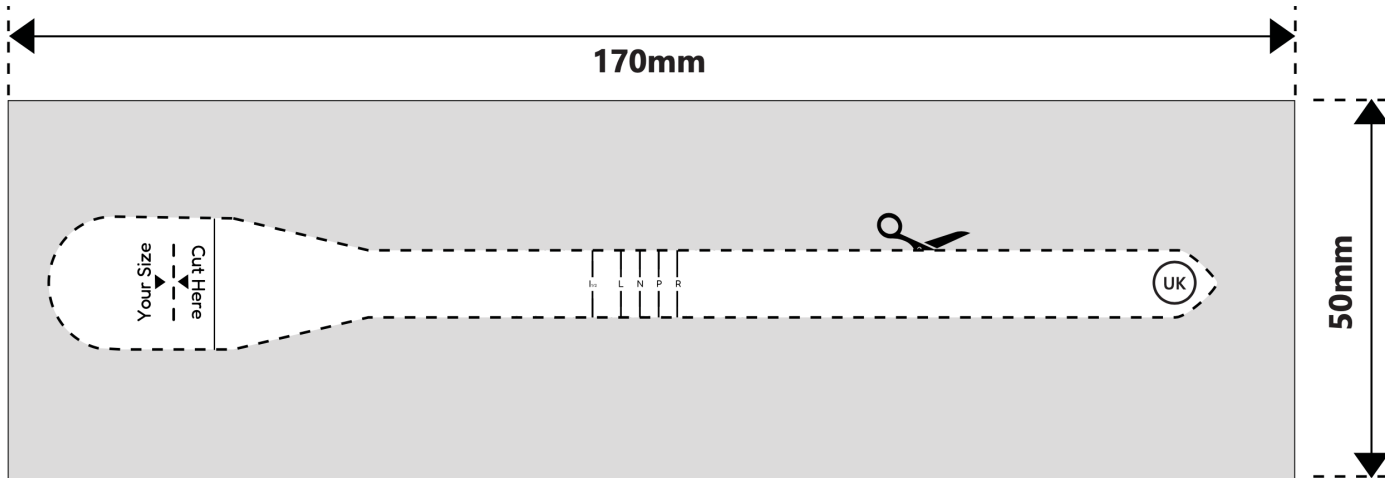
## PRODUCT SIZES

All of our Gems are made to interchange with all of our jewellery bases. Actual size below



### Scaling Tips:

To ensure your printout is sized correctly you can measure the box below



Alternatively you can use a GBP 5p or 10p by aligning either on to match these circles.



This Ring sizer is an indication only

- Step 1: Download this free size guide
- Step 2: Print out this size guide (Do not scale page)
- Step 3: Check Size guide has printed at the correct scale, there are a couple of ways to do this, please see "Scaling Tips"
- Step 4: Cut out the sizer template & cut along the slit
- Step 5: feed the "uk" end through the split and place around desired finger
- Step 6: Pull to comfortable tightness
- Step 7: your size will be revealed by the arrow.