

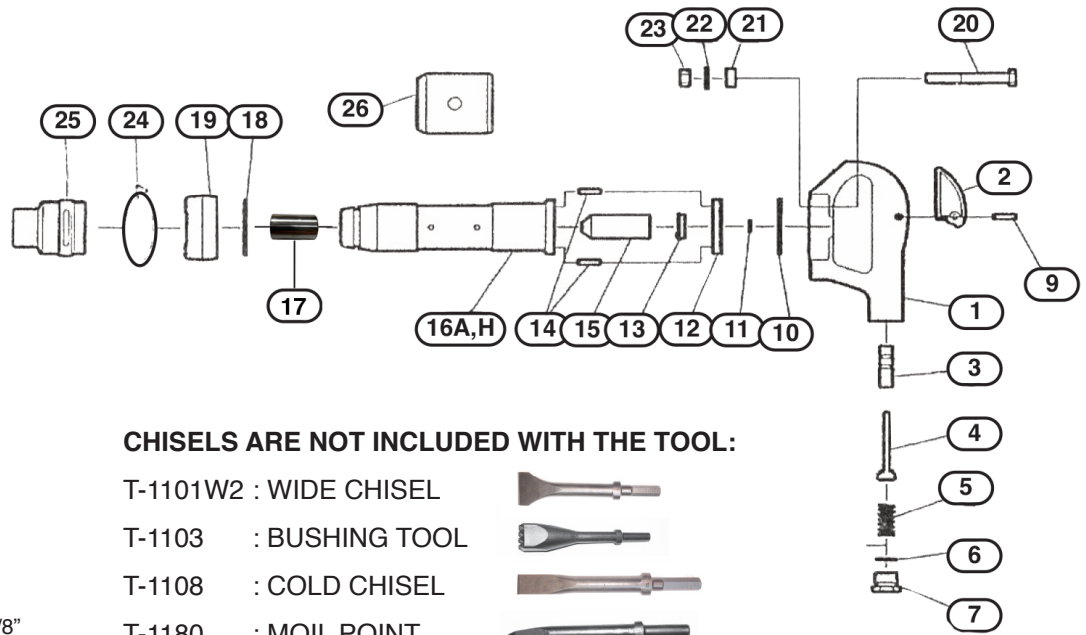
# T-#24B, H CHIPPING HAMMER

# T-#34B, H CHIPPING HAMMER

# T-#44B, H CHIPPING HAMMER



**OILING INSTRUCTIONS:**  
**OIL AFTER EACH USE**  
**WITH A FEW DROPS OF**  
**AIRTOOL OIL THROUGH**  
**THE AIR INLET. RUN FOR**  
**1 SECOND TO COAT ALL**  
**INTERNAL PARTS.**



**OPTIONAL ACCESSORIES:**



T-7516 .680/580 HEX  
 QUICK CHANGE  
 BALL TYPE RETAINER



T-23451 HOSE SWIVEL  
 3/8" NPT  
 FITS ANY TOOL WITH 3/8"  
 AIR INLET

**CHISELS ARE NOT INCLUDED WITH THE TOOL:**

T-1101W2 : WIDE CHISEL



T-1103 : BUSHING TOOL



T-1108 : COLD CHISEL



T-1180 : MOIL POINT



THESE CHISELS FIT OUR T-#24B, T-#34B, T-#44B, T-#2, T-#3 & T-#4 CHIPPING HAMMERS AS WELL AS ANY CHIPPING HAMMER THAT ACCEPTS .680 ROUND SHANK OVAL COLLAR CHISELS. FORGED STEEL. THE T-1103 IS 9 1/2" LONG. THE OTHER THREE CHISELS AVAILABLE IN 9", 12", OR 18" LENGTH. .580 HEX CHISELS ALSO AVAILABLE FOR "BH" HAMMERS

**USE 90 PSI MAXIMUM**

REF #	PART #	DESCRIPTION	QTY	REF #	PART #	DESCRIPTION	QTY
1	#2344B01A	HANDLE ASSEMBLY (PARTS 1-9)	1	16H	#24B16H	#2 CYLINDER W/.580 HEX	1
2	#2344B02	TRIGGER	1	16H	#34B16H	#3 CYLINDER W/.580 HEX	1
3	#2344B03	BUSHING	1	16H	#44B16H	#4 CYLINDER W/.580 HEX	1
4	#2344B04	VALVE STEM	1	17	#2344B17	ROUND BUSHING	1
5	#2344B05	SPRING	1	17H	#2344B17H	HEX BUSHING	1
6	#2344B06	O-RING	1	18	#2344B18	ABSORBER RING	1
7	#2344B07	AIR INLET 3/8 NPT	1	19	#2344B19	CYLINDER FLANGE	1
9	#2344B09	PIN	1	20	#2344B20	BOLT	4
10	#2344B10	O-RING	1	21	#2344B21	VIBRATION SPACER	4
11	#2344B11	DISC VALVE	1	22	#2344B22	WASHER	4
12	#2344B12	VALVE SEAT	1	23	#2344B23	NUT (NYLOC)	4
13	#2344B13	VALVE SEAT BUMPER	1	24	#23434N3	LOCKCOIL SPRING	1
14	#2344B14	DOWEL PIN	2	25	#23431N3	SLEEVE-RETAINER	1
15	#24B15	#2 PISTON	1	26	#234B26	DEFLECTOR (#2 & #3)	1
15	#34B15	#3 PISTON	1	26	#44B26	DEFLECTOR (#4)	1
15	#44B15	#4 PISTON	1				
16A	#24B16A	#2 CYLINDER W/.680 BUSHING	1			<b>OPTIONAL ACCESSORIES</b>	
16A	#34B16A	#3 CYLINDER W/.680 BUSHING	1	T-7516		QUICK CHANGE RETAINER	
16A	#44B16A	#4 CYLINDER W/.680 BUSHING	1	T-#23451		HOSE SWIVEL 3/8" NPT	

505 N. Railroad Ave. 33435  
 P.O. Box 1117 33425  
 Boynton Beach, FL

FOR WARRANTY INFORMATION &  
 WARRANTY REGISTRATION VISIT  
[www.taylorpneumatic.com](http://www.taylorpneumatic.com)

Ph. (561)732-1111  
 Fax. (561)731-4412  
 Toll Free (800) 805-8665