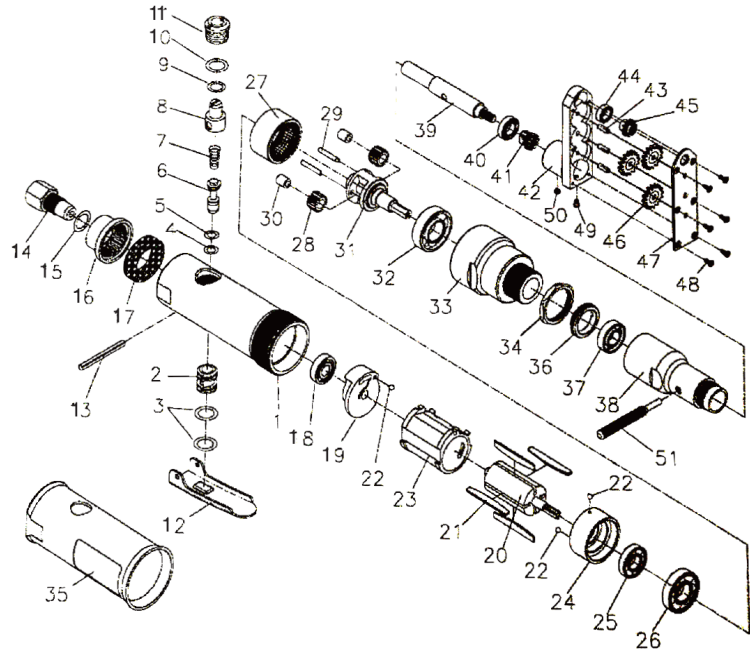


T-9954 PANCAKE DRILL .6 HP



OILING INSTRUCTIONS:
OIL AFTER EACH USE WITH
A FEW DROPS OF AIRTOOL
OIL THROUGH THE AIR INLET.
RUN FOR 1 SECOND TO
COAT ALL INTERNAL PARTS.



USE 90 PSI MAXIMUM

REF #	PART #	DESCRIPTION	QTY	REF #	PART #	DESCRIPTION	QTY
1	995201	HOUSING	1	27	995227	GEAR	1
2	995202	THROTTLE VALVE BUSHING	1	28	995228	PLANET GEAR	1
3	995203	O-RING	2	29	995229	PLANET PIN	2
4	995204	O-RING	1	30	995230	NEEDLE BEARING	2
5	995205	O-RING	1	31	995231	CARRIER	2
6	995206	THROTTLE PIN	1	32	995232	BEARING	1
7	995207	SPRING	1	33	995233	LOCK NUT	1
8	995208	REGULATOR	1	34	995234	LOCK NUT	1
9	995209	O-RING	1	35	995235	GRIP	1
10	995210	O-RING	1	36	995236	LOCK RING	1
11	995211	PLUG	1	37	995237	BEARING	1
12	995212	LEVER	1	38	995238	FRONT HOUSING	1
13	995213	PIN	1	39	995439	SPINDLE	1
14	995214	INLET	1	40	995440	BEARING	1
15	995215	O-RING	2	41	995441	BEVEL GEAR	1
16	995216	MUFFLER	1	42	995442	GEAR BOX	1
17	995217	SILENCER	1	43	995443	PIN	3
18	995218	BEARING	2	44	995444	BEARING	1
19	995219	REAR END PLATE	1	45	995445	GEAR	1
20	995220	ROTOR	1	46	995446	GEAR	3
21	995221	ROTOR BLADE (SET OF 4)	1set	47	995447	PLATE	1
22	995222	BALL	3	48	995448	HEX FLANGE SCREW	6
23	995223	CYLINDER	1	49	995449	GREASE FITTING	1
24	995224	FRONT END PLATE	1	50	995450	SCREW	1
25	995225	BEARING	1	51	995451	STOP PIN	1
26	995226	BEARING	1				