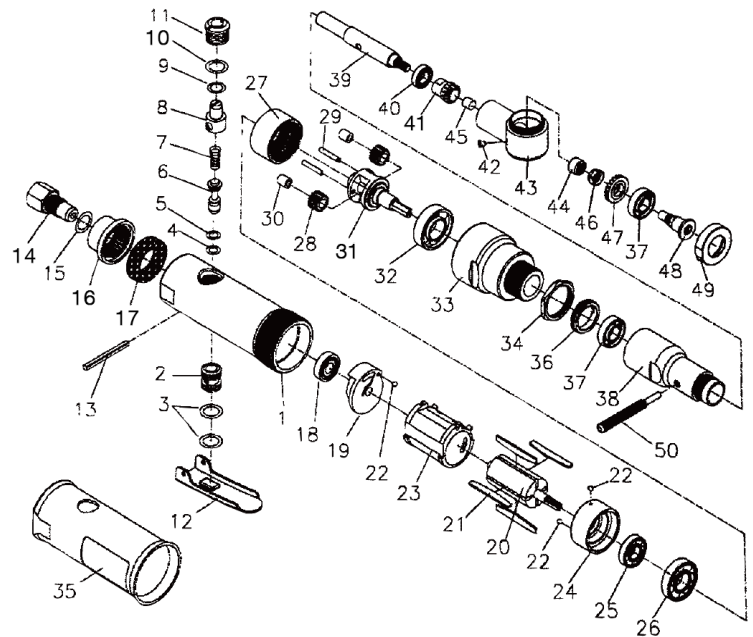


# T-9952

## 90 DEGREE .6 HP ANGLE DRILL



**OILING INSTRUCTIONS:**  
**OIL AFTER EACH USE WITH**  
**A FEW DROPS OF AIRTOOL**  
**OIL THROUGH THE AIR INLET.**  
**RUN FOR 1 SECOND TO**  
**COAT ALL INTERNAL PARTS.**



### USE 90 PSI MAXIMUM

REF #	PART #	DESCRIPTION	QTY	REF #	PART #	DESCRIPTION	QTY
1	995201	HOUSING	1	26	995226	BEARING	1
2	995202	THROTTLE VALVE BUSHING	1	27	995227	GEAR	1
3	995203	O-RING	2	28	995228	PLANET GEAR	2
4	995204	O-RING	1	29	995229	PIN	2
5	995205	O-RING	1	30	995230	NEEDLE BEARING	2
6	995206	THROTTLE PIN	1	31	995231	CARRIER	1
7	995207	SPRING	1	32	995232	BEARING	1
8	995208	REGULATOR	1	33	995233	LOCK NUT	1
9	995209	O-RING	1	34	995234	LOCK NUT	1
10	995210	O-RING	1	35	995235	GRIP	1
11	995211	PLUG	1	36	995236	LOCK RING	1
12	995212	LEVER	1	37	995237	BEARING	2
13	995213	PIN	1	38	995238	FRONT HOUSING	1
14	995214	INLET	1	39	995239	SPINDLE	1
15	995215	O-RING	1	40	995240	BEARING	1
16	995216	MUFFLER	1	41	995241	BEVEL GEAR	1
17	995217	SILENCER	1	42	995242	GREASE FITTING	1
18	995218	BEARING	1	43	995243	ANGLE HOUSING	1
19	995219	REAR END PLATE	1	44	995244	NEEDLE BEARING	1
20	995220	ROTOR	1	45	995245	FELT	1
21	995221	ROTOR BLADE (SET OF 4)	1set	46	995246	SPINDLE NUT	1
22	995222	BALL	3	47	995247	BEVEL GEAR	1
23	995223	CYLINDER	1	48	995248	BIT HOLDER	1
24	995224	FRONT END PLATE	1	49	995249	LOCK RING	1
25	995225	BEARING	1	50	995250	STOP PIN	1

505 N. Railroad Ave. 33435  
P.O. Box 1117 33425  
Boynton Beach, FL

SEE MORE OF OUR CATALOG AT  
[www.taylorpneumatic.com](http://www.taylorpneumatic.com)

AUGUST 2020 / ALL RIGHTS RESERVED / COPYRIGHT 2020

Ph. (561)732-1111  
Fax. (561)731-4412  
Toll Free (800) 805-8665