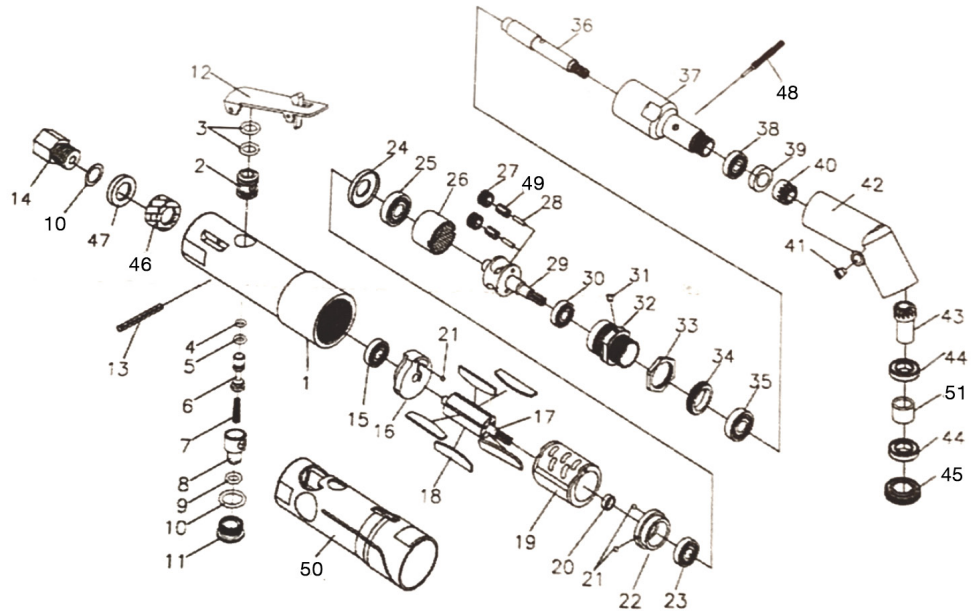


T-9951

45 DEGREE ANGLE DRILL



OILING INSTRUCTIONS:
OIL AFTER EACH USE WITH
A FEW DROPS OF AIRTOOL
OIL THROUGH THE AIR INLET.
RUN FOR 1 SECOND TO
COAT ALL INTERNAL PARTS.



USE 90 PSI MAXIMUM

REF #	PART #	DESCRIPTION	QTY	REF #	PART #	DESCRIPTION	QTY
1	995001	HOUSING	1	27	995027	GEAR	2
2	995002	THROTTLE VALVE BUSHING	1	28	995028	PIN	2
3	995003	O-RING	2	29	995029	GEAR CARRIER	1
4	995004	O-RING	1	30	995030	BEARING	1
5	995005	O-RING	1	31	995031	GREASE FITTING	1
6	995006	PIN	1	32	995032	CONNECTOR	1
7	995007	SPRING	1	33	995033	LOCK NUT	1
8	995008	REGULATOR	1	34	995034	LOCK RING	1
9	995009	O-RING	1	35	995035	BEARING	1
10	995010	O-RING	2	36	995036	SPINDLE	1
11	995011	PLUG	1	37	995037	HOUSING	1
12	995012	LEVER	1	38	995138	BEARING	1
13	995013	PIN	1	39	995139	FELT PLATE	1
14	995014	AIR INLET	1	40	995140	BEVEL GEAR	1
15	995015	BEARING	1	41	995041	GREASE FITTING	1
16	995016	REAR END PLATE	1	42	995142	ANGLE HOUSING	1
17	995017	ROTOR	1	43	995143	BEVEL GEAR	1
18	995018	ROTOR BLADE (SET OF 5)	1set	44	995144	BEARING	2
19	995019	CYLINDER	1	45	995145	BEARING COVER	1
20	995020	STOP RING	1	46	995046	MUFFLER	1
21	995021	BALL	3	47	995047	SILENCER	1
22	995022	FRONT END PLATE	1	48	995048	STOP PIN	1
23	995023	BEARING	1	49	995049	NEEDLE BEARING	2
24	995024	BEARING COVER	1	50	995050	GRIP	1
25	995025	BEARING	1	51	995151	SPACER	1
26	995026	INTERNAL GEAR	1				