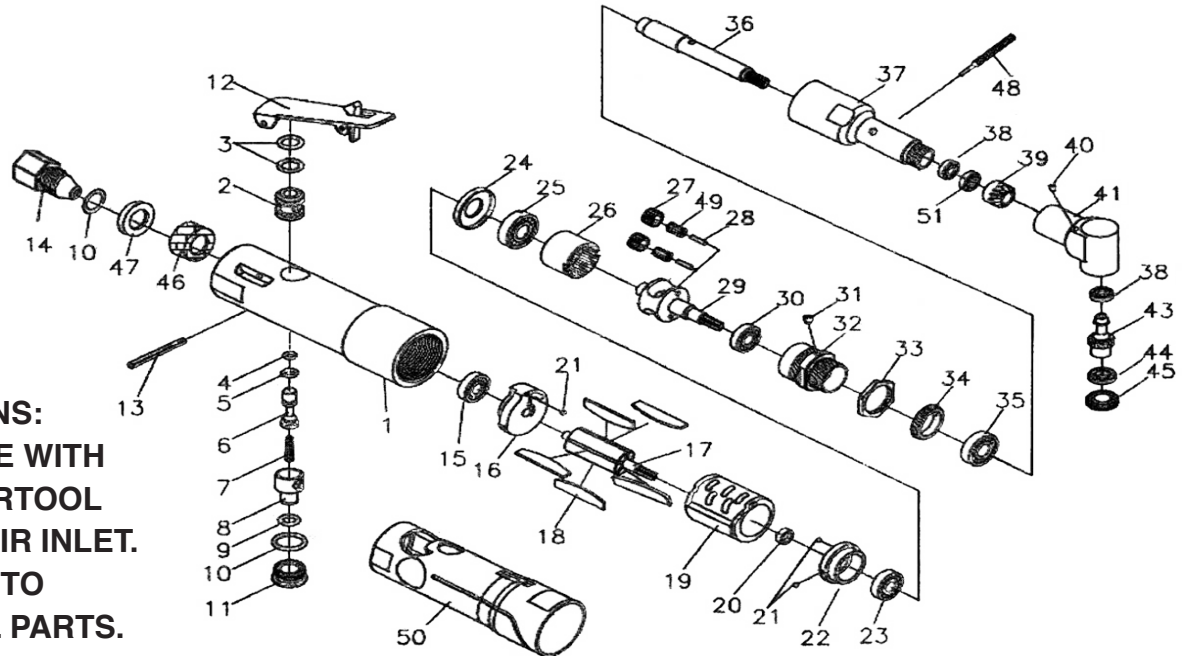


# T-9950, T-9950EX 90 DEGREE ANGLE DRILL



**OILING INSTRUCTIONS:**  
**OIL AFTER EACH USE WITH**  
**A FEW DROPS OF AIRTOOL**  
**OIL THROUGH THE AIR INLET.**  
**RUN FOR 1 SECOND TO**  
**COAT ALL INTERNAL PARTS.**

## USE 90 PSI MAXIMUM

REF #	PART #	DESCRIPTION	QTY	REF #	PART #	DESCRIPTION	QTY
1	995001	HOUSING	1	27	995027	GEAR	2
2	995002	THROTTLE VALVE BUSHING	1	28	995028	PIN	2
3	995003	O-RING	2	29	995029	GEAR CARRIER	1
4	995004	O-RING	1	30	995030	BEARING	1
5	995005	O-RING	1	31	995031	GREASE FITTING	1
6	995006	THROTTLE PIN	1	32	995032	CONNECTOR	1
7	995007	SPRING	1	33	995033	LOCK NUT	1
8	995008	REGULATOR	1	34	995034	LOCK RING	1
9	995009	O-RING	1	35	995035	BEARING	1
10	995010	O-RING	2	36	995036	SPINDLE	1
11	995011	PLUG	1		9950EX36	SPINDLE (EXTENDED)	-
12	995012	THROTTLE LEVER	1	37	995037	HOUSING	1
13	995013	PIN	1		9950EX37	HOUSING (EXTENDED)	-
14	995014	AIR INLET	1	38	995038	BEARING	2
15	995015	BEARING	1	39	995039	BEVEL GEAR SHAFT	1
16	995016	REAR END PLATE	1	40	995040	GREASE FITTING	1
17	995017	ROTOR	1	41	995041	ANGLE HOUSING	1
18	995018	ROTOR BLADE (SET OF 5)	1set	43	995043	BEVEL GEAR	1
19	995019	CYLINDER	1	44	995044	BEARING	1
20	995020	STOP RING	1	45	995045	LOCK RING	1
21	995021	STEEL BALL	3	46	995046	MUFFLER	1
22	995022	FRONT END PLATE	1	47	995047	SILENCER	1
23	995023	BEARING	1	48	995048	STOP PIN	1
24	995024	BEARING COVER	1	49	995049	NEEDLE BEARING	2
25	995025	BEARING	1	50	995050	GRIP	1
26	995026	INTERNAL GEAR	1	51	995051	BEARING	1

505 N. Railroad Ave. 33435  
P.O. Box 1117 33425  
Boynton Beach, FL

FOR WARRANTY INFORMATION &  
WARRANTY REGISTRATION VISIT

[www.taylorpneumatic.com](http://www.taylorpneumatic.com)

MARCH 2022 / ALL RIGHTS RESERVED / COPYRIGHT 2022

Ph. (561)732-1111  
Fax. (561)731-4412  
Toll Free (800) 805-8665