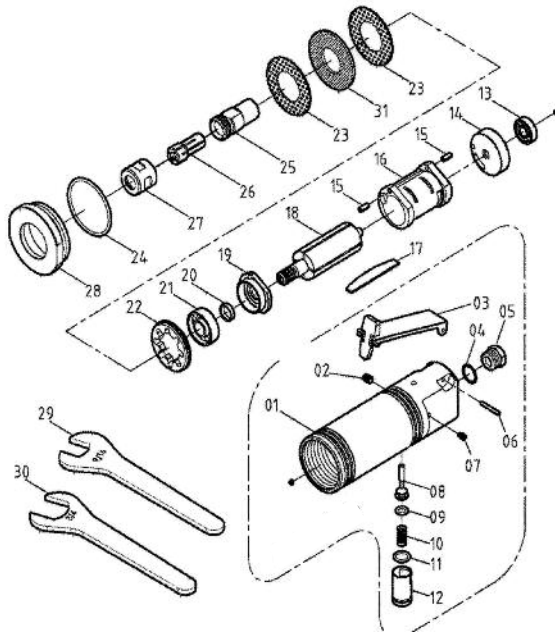


# T-9930A 1/4" Steel Die Grinder T-9930B 3/8" Steel Die Grinder



**USE 90 PSI MAXIMUM**

**Oil after each use through air inlet using airtool oil. Then run for 1 second to coat all internal parts**

Ref.#	Part #	Description	Qty.	Ref.#	Part #	Description	Qty.
1	993001	Housing	1	17	993017	Vanes (4 to the set)	1 set
2	993002	Screw	1	18	993018	Rotor	1
3	993003	Lever	1	19	993019	Front End Plate	1
4	993004	O-ring	1	20	993020	Washer	1
5	993005	Air Inlet	1	21	993021	Bearing	1
6	993006	Pin	1	22	993022	Set Washer	1
7	993007	Screw	1	23	993023	Filter	2
8	993008	Throttle Valve Stem	1	24	993024	O-ring	1
9	993009	O-ring	1	25	993025	Collet Spindle	1
10	993010	Spring	1	26	993026A	1/4" Collet	1
11	993011	O-ring	1	26	993026B	3/8" Collet	1
12	993012	Throttle Valve	1	27	993027	Collet Nut	1
13	993013	Bearing	1	28	993028	Lock Nut	1
14	993014	Rear End Plate	1	29	993029	Wrench	1
15	993015	Pin	2	30	993030	Wrench	1
16	993016	Cylinder	1	31	993031	Muffler	1

505 N. Railroad Ave.  
P.O. Box 1117  
Boynton Beach, Florida 33435

**SEE OUR CATALOG**  
at  
[www.taylorpneumatic.com](http://www.taylorpneumatic.com)

PH. 561-732-1111  
FAX 561-731-4412  
Toll Free 800-805-8665

09/13 TPTCDPT  
all rights reserved  
COPYRIGHT 2013  
final