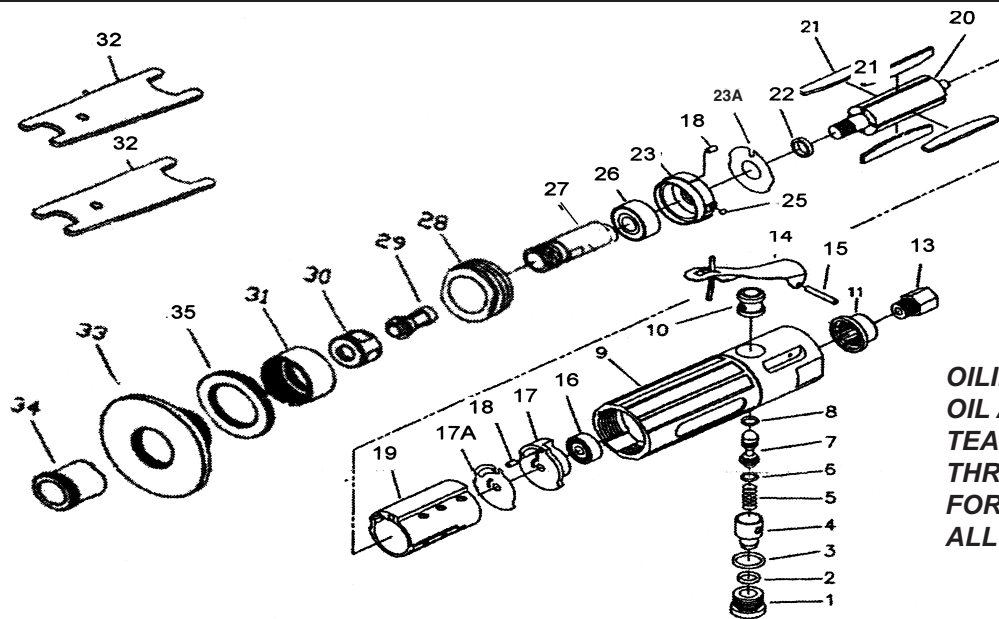


T-9705R

1/4" - .9 HP Router



OILING INSTRUCTIONS:
OIL AFTER EACH USE WITH 1/2
TEASPOON OF AIRTOOL OIL
THROUGH THE AIR INLET. RUN
FOR ONE SECOND TO COAT
ALL INTERNAL PARTS

USE 90 PSI MAXIMUM

Ref #	Part #	Description	Qty.	Ref #	Part #	Description	Qty.
1	9755R01N	Plug	1	20	9755R20N3	Rotor	1
2	9755R02N	O-Ring	1	21	9755R21N3	Rotor Blades (set of 5)	1set
3	9755R03N	O-Ring	1	22	9755R22N3	Stop Ring	1
4	9755R04N	Regulator	1	23	9755R23N3	Front End Plate	1
5	9755R05N	Spring	1	23A	9755R23AN	Steel Plate	1
6	9755R06N	O-Ring	1	26	3 9755R26N	Bearing	1
7	9755R07N3	Valve Stem	1	27	9755R27N	Spindle	1
8	9755R08N	O-Ring	1	28	9755R28N	Lock Nut	1
9	9755R09N3	Handle	1	29	T-7504	Collet	1
10	9755R10N3	Valve Bushing	1	30	9755R30N	Collet Nut	1
11	9755R11N	Muffler	1	31	8705R31	Adapter	1
13	9755R13N	Air Inlet	1	32	9755R32N	Wrench	2
14	9755R14N	Lever	1	33	8705R33	Guide Plate	1
15	9755R15N	Lever Pin	1	34	8705R34	Filler	1
16	9755R16N3	Bearing	1	35	8705R35	Nut	1
17	9755R17N3	Back End Plate	1				
17A	9755R17AN	Steel Plate	1				
18	3 9755R18N	Pin	2				
19	9755R19N3	Cylinder	1				

505 N. Railroad Ave. 33435
P.O. Box 1117 33425
Boynton Beach, Florida

SEE OUR CATALOG
at
www.taylorpneumatic.com

0116TPTC /all rights reserved /COPYRIGHT 2016 / final

Ph. (561) 732-1111
Fax (561) 731-4412
Toll Free 800-805-8665