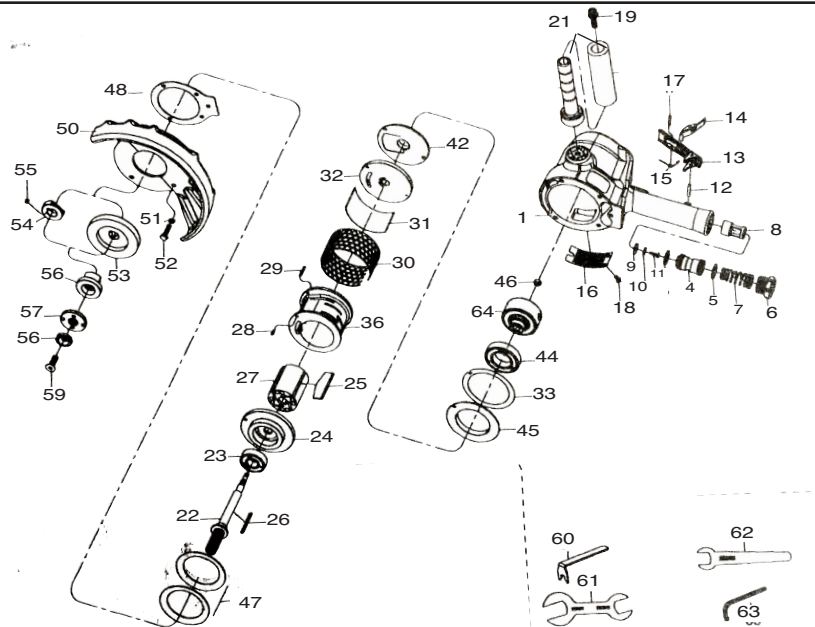


T-9509 9" Super Duty 3 HP Vertical Grinder



OILING INSTRUCTIONS:
OIL AFTER EACH USE WITH
1/2 TEASPOON OF AIRTOOL OIL
THROUGH THE AIR INLET. RUN
FOR ONE SECOND TO COAT
ALL INTERNAL PARTS

USE 90 PSI MAXIMUM

Ref #	Part #	Description	Qty.	Ref #	Part #	Description	Qty.
1	950901	Housing	1	33	950933	Gasket	1
4	950904	Throttle Valve	1	36	950936	Cylinder	1
5	950905	O-Ring	2	42	950942	Bearing Seal	1
6	950906	Air Inlet	1	44	950944	Ball Bearing	1
7	950907	Spring	1	45	950945	Holder	1
8	950908	Throttle Valve Seat	1	46	950946	Coupling Nut	1
9	950909	Gasket	1	47	950947	Washer	2
10	950910	Washer	1	48	950948	Gasket	1
11	950911	Screw	1	50	950950	Wheel Guard	1
12	950912	Spring Pin	1	51	950951	Washer	5
13	950913	Trigger Assembly	1	52	950952	Screw	5
14	950914	Trigger Knob	1	53	950953	Balancer (option)	1
15	950915	Spring	1	54	950954	Spacer (option)	1
16	950916	Exhaust Deflector	1	55	950955	Key (option)	1
17	950917	Spring Pin	1	56	950956	Flange	1
18	950918	Screw	3	57	950957	Fixing Nut	1
19	950919	Screw	1	58	950958	Washer	1
21	950921	Side Handle	1	59	950959	Screw	1
22	950922	Spindle	1	60	950960	Spanner	1
23	950923	Ball Bearing	1	61	950961	Spanner (24-26 mm)	1
24	950924	Front End Plate	1	62	950962	Spanner (22 mm)	1
25	950925	Rotor Blade (set of 4)	1	63	950963	Hex Key Wrench	1
26	950926	Key	1set	64	950964	Governor Assembly	1
27	950927	Rotor	1				
28	950928	Spring Pin	1				
29	950929	Spring Pin	1				
30	950930	Filter Screen	1				
31	950931	Muffler Silencer	1				
32	950932	Rear End Plate	1				

505 N. Railroad Ave. 33435
P.O. Box 1117 33425
Boynton Beach, Florida

SEE OUR CATALOG
at
www.taylorpneumatic.com

011TPTC /all rights reserved /COPYRIGHT 2016 / final

Ph. (561) 732-1111
Fax (561) 731-4412
Toll Free 800-805-8665

General instructions

Grinders T-7707, T-8707, T-9407, T-9409, T-9509, T-9600C, T-9707, T-9709



OILING INSTRUCTIONS:

OIL AFTER EACH USE WITH 2 OR 3 TABLESPOONS OF AIRTOOL OIL THROUGH THE AIR INLET. RUN FOR ONE SECOND TO COAT ALL INTERNAL PARTS.

TYPE 27 GRINDERS - GENERAL INSTRUCTIONS

1. ALWAYS DISCONNECT THE TOOL FROM AIR SOURCE WHEN CHANGING ACCESSORIES OR SERVICING THE TOOL.

2. USE SAFETY GLASSES, FULL FACE SHIELDS, HEARING PROTECTION AND GLOVES.

3. STAY IN CONTROL OF THE GRINDER - DO NOT OVER REACH.

4. ALWAYS REMOVE WRENCHES FROM THE TOOL AFTER SERVICING. WRENCHES LEFT ATTACHED MAY RESULT IN SERIOUS HARM TO THE OPERATOR.

5. VIBRATION MAY BE HARMFUL TO YOUR ARMS AND HANDS. WEAR PROTECTION.

6. INSPECT THE TOOL AND AIR SUPPLY ON A REGULAR BASIS.

7. DO NOT REMOVE GUARDS OR SAFETY DEVICES. DO NOT MODIFY OR DEFEAT SAFETY DEVICES.

8. DO NOT MAKE CONTACT WITH ELECTRICAL LINES.

9. LEAVE TRIGGER OFF BEFORE CONNECTING THE TOOL TO THE AIR SUPPLY. AVOID ACCIDENTAL STARTS.

10. WEAR THE PROPER CLOTHING. DO NOT WEAR JEWELRY, LOOSE CLOTHING, OR LONG HAIR AS IT CAN GET CAUGHT IN ROTATING PARTS. KEEP GLOVES AWAY FROM ROTATING PARTS.

11. DO NOT WORK IN HAZARDOUS ATMOSPHERES WHERE SPARKS COULD IGNITE OR DETONATE FUMES.

12. WATCH WHAT YOU ARE DOING. USE COMMON SENSE WHEN OPERATING PNEUMATIC TOOLS. DO NOT USE PNEUMATIC TOOLS WHEN TIRED OR UNDER THE INFLUENCE OF MEDICATION, ALCOHOL OR DRUGS. SERIOUS PERSONAL INJURY MAY RESULT FROM A MOMENTS INATTENTION.

13. USE 90 PSI AT THE TOOL. USE 3/8", 1/2" or 3/4" HOSE OR LARGER WITH FITTINGS 9/32 MINIMUM I.D. AS SPECIFIED

14. ONLY USE CLEAN DRY COMPRESSED AIR. NEVER USE OXYGEN, CARBON DIOXIDE, COMBUSTIBLE GASES OR ANY OTHER BOTTLED GAS TO POWER THIS TOOL.

15. SECURE YOUR WORK BEFORE STARTING - USE CLAMPS OR FIND A SUITABLE WAY TO MAINTAIN STABILITY.

16. STORE TOOLS IN A CLEAN DRY ENVIRONMENT.

17. DO NOT USE DAMAGED TOOLS - MARK, AND RETURN FOR SERVICE.

18. NEVER FORCE THE TOOL. LET THE TOOL DO THE WORK.

19. STOP USE IMMEDIATELY IF TOOL IS MAKING AN UNUSUAL NOISE OR VIBRATION. HAVE TOOL CHECKED BY PROFESSIONAL TECHNICIAN.

20. OPERATE AT RATED TOOL SPEED.

21. ALWAYS USE A GRINDING WHEEL WITH A MAXIMUM SPEED RATING EQUAL TO OR GREATER THAN THE LABELED SPEED OF THE TOOL.

22. USE ONLY REINFORCED TYPE 27 WHEELS, 7" OR 9" DEPENDING ON THE MODEL.

23. FOLLOW WHEEL MANUFACTURERS MOUNTING INSTRUCTIONS.

24. DO NOT OPERATE WITHOUT THE WHEEL GUARD IN PLACE.

25. WORK IN A WELL VENTILATED AREA AND USE APPROVED PERSONAL PROTECTIVE EQUIPMENT SUCH AS DUST MASKS, THAT ARE SPECIFICALLY DESIGNED TO FILTER OUT MICROSCOPIC PARTICLES. SOME DUST CREATED BY POWER SANDING, SAWING, GRINDING AND OTHER CONSTRUCTION ACTIVITIES CONTAIN CHEMICALS KNOWN TO CAUSE CANCER, BIRTH DEFECTS OR OTHER REPRODUCTIVE HARM. SOME EXAMPLES OF THESE CHEMICALS ARE: CRYSTALLINE SILICA FROM BRICKS, CEMENT AND OTHER MASONARY PRODUCTS, ARSENIC AND CHROMIUM FROM CHEMICALLY TREATED LUMBER AND LEAD FROM LEAD BASED PAINTS.

YOUR RISK FROM EXPOSURE VARIES, DEPENDING ON HOW OFTEN YOU DO THIS TYPE OF WORK. TO REDUCE YOUR EXPOSURE TO THESE CHEMICALS WEAR PROTECTIVE MASKS AND CLOTHING.

26. KEEP CHILDREN, PETS AND BYSTANDERS AWAY WHILE OPERATING A PNEUMATIC TOOL. DISTRACTIONS CAN CAUSE YOU TO LOSE CONTROL. PROTECT OTHERS IN THE WORK AREA FROM DEBRIS SUCH AS METAL FILINGS AND SPARKS. PROVIDE BARRIERS OR SHIELDS AS NEEDED.

27. LUBRICATION - THIS TOOL REQUIRES A HIGH SPEED GREASE TO LUBRICATE THE PINION GEARS. ADD GREASE THROUGH THE GREASE FITTINGS AS NEEDED, APPROXIMATELY EVERY 8 HOURS.

28. THESE WARNINGS AND INSTRUCTIONS CAN NOT COVER ALL POSSIBLE CONDITIONS OR SITUATIONS. THE OPERATOR MUST UNDERSTAND THAT COMMON SENSE AND CAUTIONS ARE FACTORS WHICH CAN NOT BE BUILT INTO THE PRODUCT BUT MUST BE SUPPLIED BY THE OPERATOR.

505 N. Railroad Ave. 33435
P.O. Box 1117 33425
Boynton Beach, Florida

SEE OUR CATALOG
at
www.taylorpneumatic.com

PH. 561-732-1111
FAX 561-731-4412
Toll Free 800-805-8665